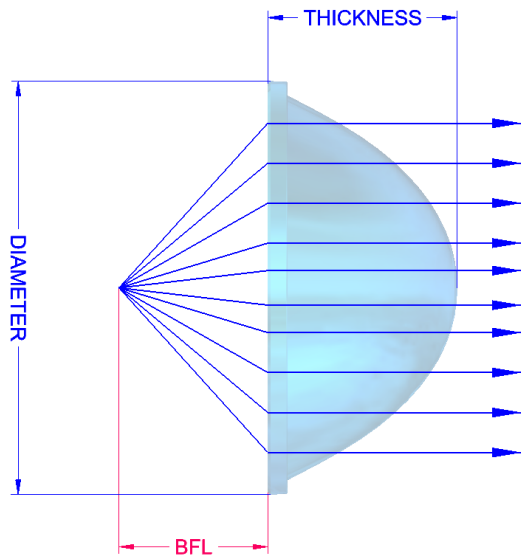
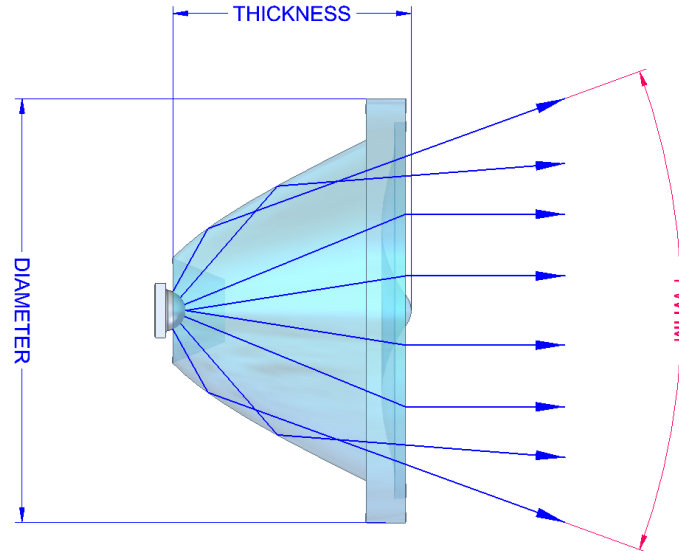


EcoGlass Lens Catalogue

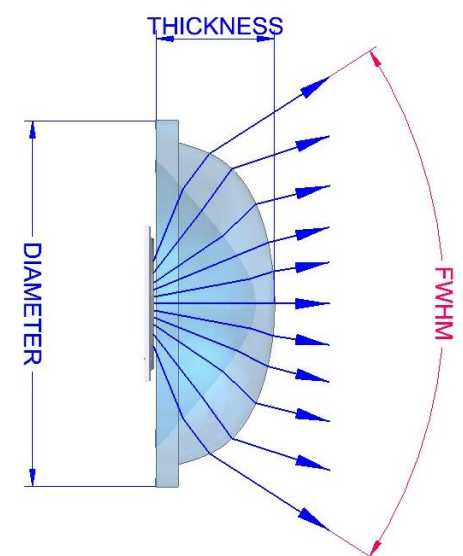
ASPHERICAL LENSES



TIR LENSES



CAVITY LENSES

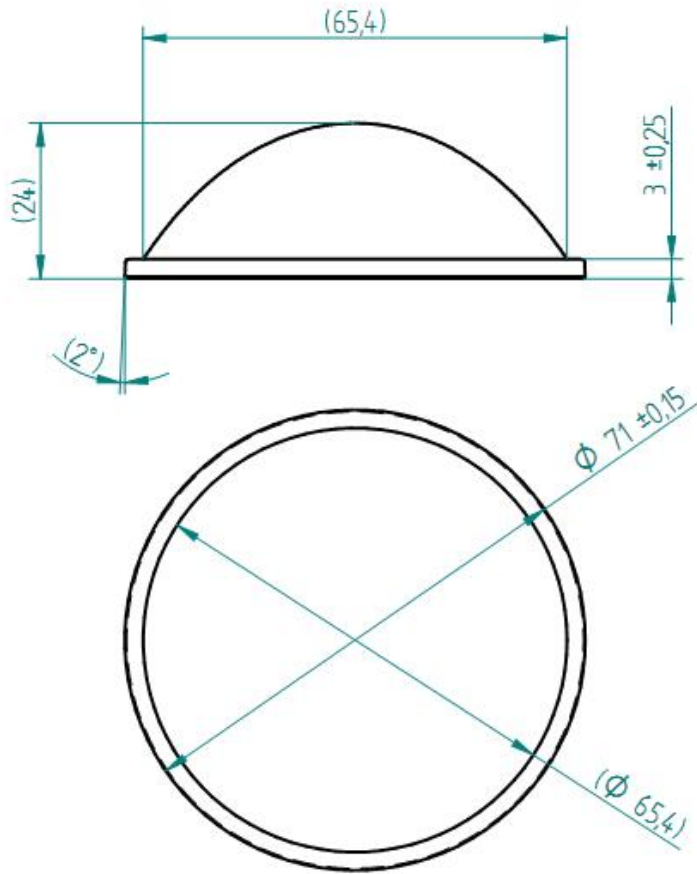


EcoGlass Aspherical Lenses

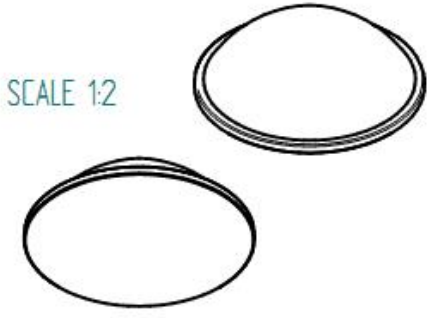
EcoGlass code	Lens type	BFL (mm)	Diameter (mm)	Thickness (mm)	EcoGlass code	Lens type	BFL (mm)	Diameter (mm)	Thickness (mm)
A003 7124	Plano-convex	41,5	71,0	23,8	A194 1506	Plano-convex	8,6	15,0	5,6
A010 6515	Plano-convex	67,3	65,0	14,5	A196 7120	Plano-convex	53,5	70,4	19,7
A011 4512	Plano-convex	35,3	45,0	12,0	A373 4508	Plano-convex	67,2	46,0	8,4
A016 4923	Plano-convex	21,1	49,0	23,0	A413 1206	Plano-convex	6,3	12,0	6,0
A034 1807	Plano-convex	10,4	18,0	6,7	A501 2207	Plano-convex	10,0	22,0	6,9
A053 1807	Plano-convex	8,4	18,0	7,4	A581 2808	Plano-convex	25,0	28,0	8,0
A071 5224	Plano-convex	18,6	51,8	23,7	A582 7522	Plano-convex	53,2	75,2	22,2
A079 6422	Plano-convex	41,6	64,0	21,5	A837 3515	Plano-convex	15,6	35,0	14,8
A104 6616	Plano-convex	66,5	66,0	14,9	A838 1605	Plano-convex	16,8	16,0	4,3
A116 7727	Plano-convex	45,1	77,0	27,2	A850 6315	Plano-convex frosted	67,0	62,8	14,5
A163 6827	Plano-convex	40,0	68,0	26,0	A904 4512	Plano-convex frosted	35,3	45,0	12,0
A182 1506	Plano-convex	14,3	15,0	5,2	A912 5225	Plano-convex frosted	18,6	51,9	25,2
A636 5422	Plano-convex	25,8	54,0	21,6	A650 8034	Plano-convex FWHM (5°/15°)	34,8	80,0	33,4

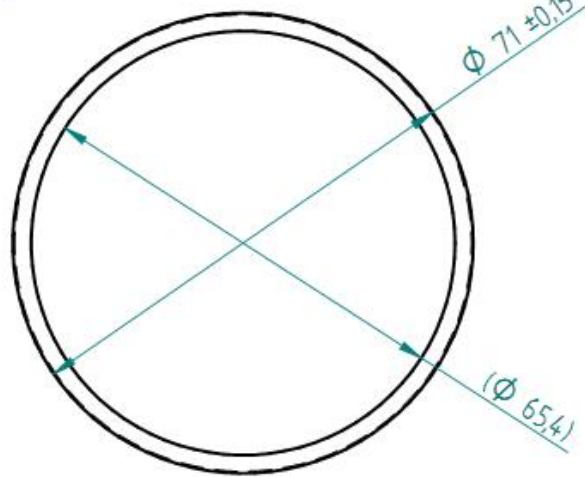
A003 7124

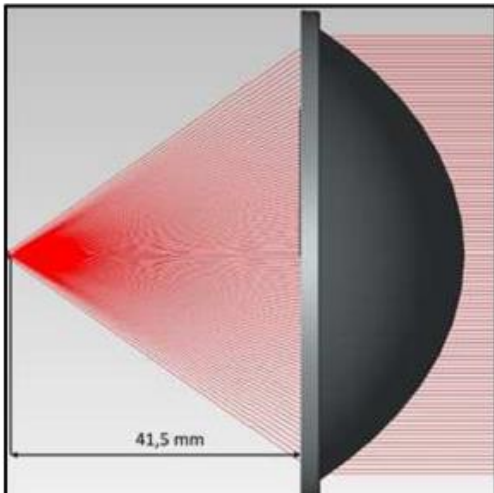
REVISION HISTORY			
REV	DESCRIPTION	DATE	APPROVED




SCALE 1:2







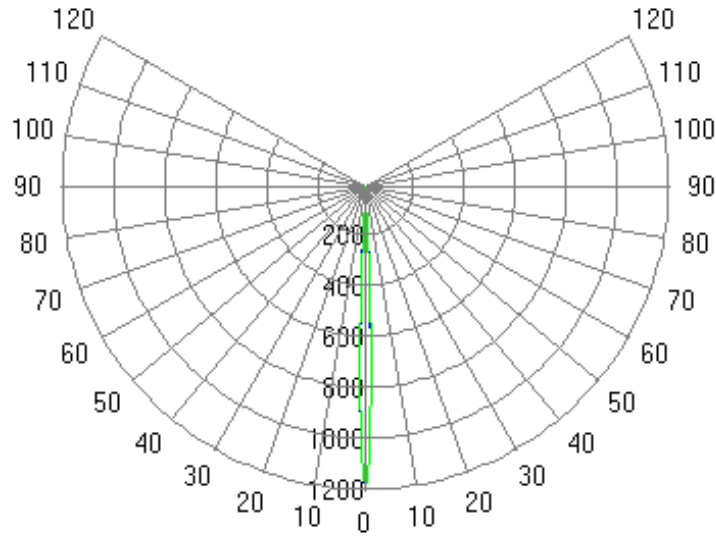
Glass: LIBA or alternative (nd = 1,521)

NAME	DATE	 EcoGlass, a.s.
DRAWN	krutsky 05/14/20	
CHECKED		
ENG APPR		
MER APPR		A003 7124
UNLESS OTHERWISE SPECIFIED DIMENSIONS ARE IN MILLIMETERS		SIZE: A4 FILE NAME: A003_small.dwg SCALE: WEIGHT: 126 g SHEET 1 OF 1

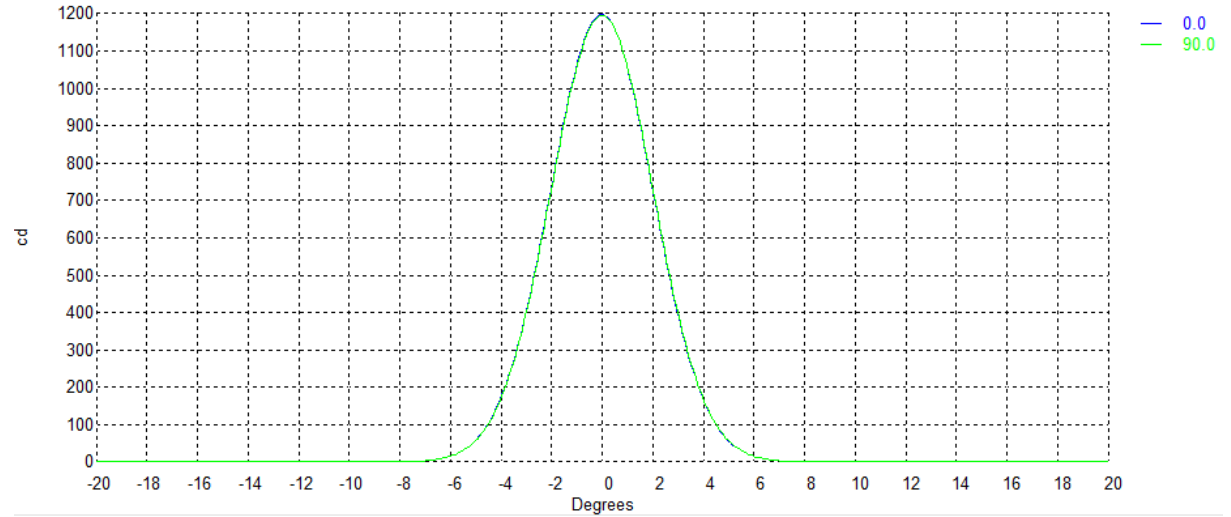
BACK TO LIST

A003 7124 – simulation results

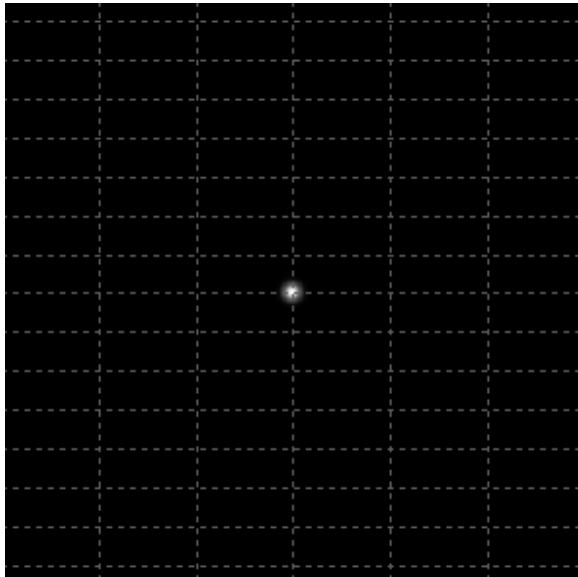
Polar Candela Distribution Plot



Rectangular Candela Distribution Plot



Projection wall 3x3 m at 1m



LED used for simulation	Cree XP-G
Luminous flux of LED [lm]	36

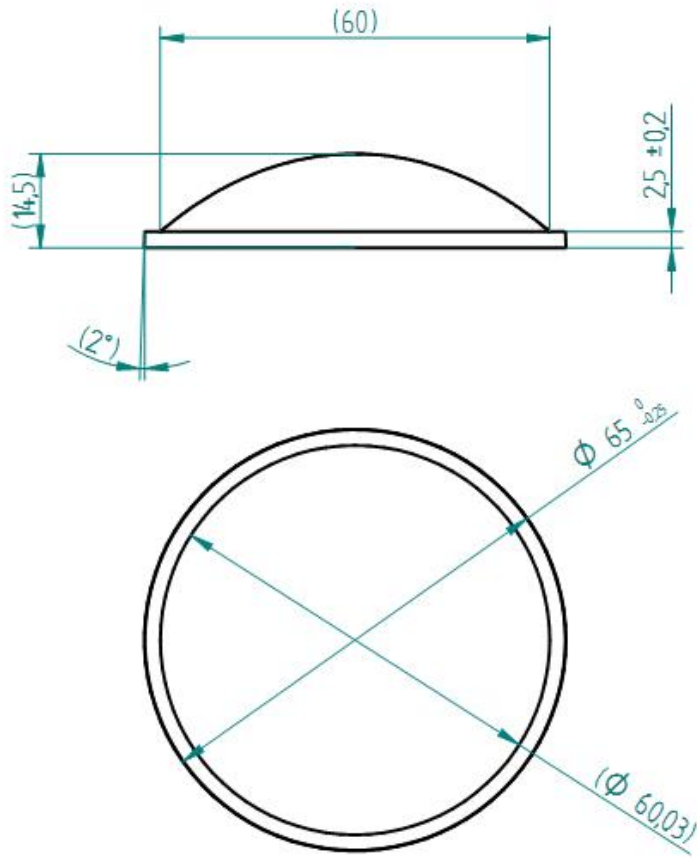
FWHM C0 [°]	5
FWHM C90 [°]	5

* The ratio between luminous flux on the projection wall (3x3 m at 1 m) and luminous flux of LED

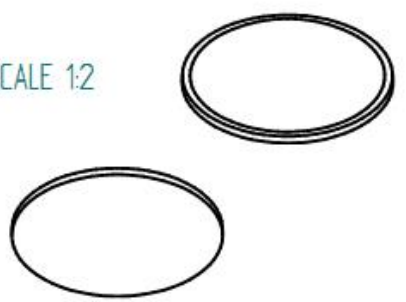
[BACK TO LIST](#)

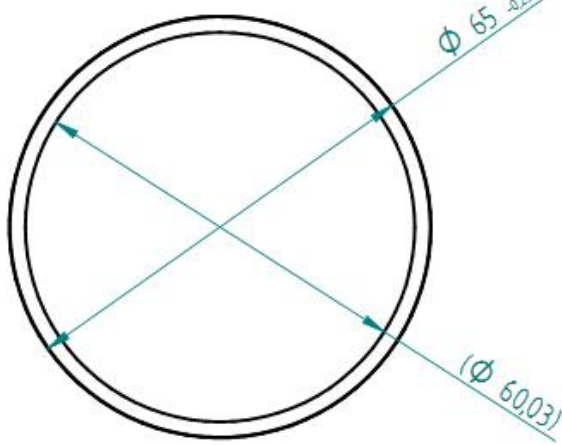
A010 6515

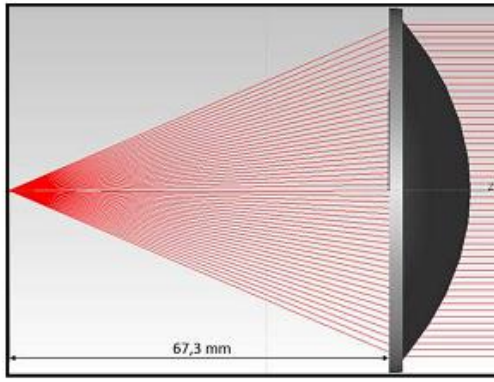
REVISION HISTORY			
REV	DESCRIPTION	DATE	APPROVED




SCALE 1:2







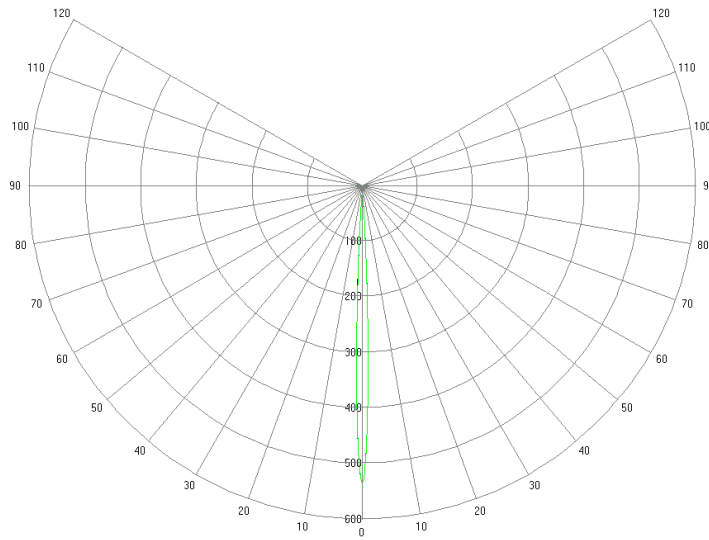
Glass: LIBA or alternative (nd = 1,521)

	NAME	DATE	 EcoGlass, a.s.												
DRAWN	krutsky	05/14/20													
CHECKED															
ENG APPR															
MGR APPR			A010 6515												
UNLESS OTHERWISE SPECIFIED DIMENSIONS ARE IN MILLIMETERS			<table border="1" style="width: 100%; border-collapse: collapse;"> <tr> <td>SIZE</td> <td>DWG NO</td> <td>REV</td> </tr> <tr> <td>A4</td> <td> </td> <td> </td> </tr> <tr> <td colspan="3">FILE NAME: A010_small.dwg</td> </tr> <tr> <td>SCALE</td> <td>WEIGHT: 66 g</td> <td>SHEET 1 OF 1</td> </tr> </table>	SIZE	DWG NO	REV	A4			FILE NAME: A010_small.dwg			SCALE	WEIGHT: 66 g	SHEET 1 OF 1
SIZE	DWG NO	REV													
A4															
FILE NAME: A010_small.dwg															
SCALE	WEIGHT: 66 g	SHEET 1 OF 1													

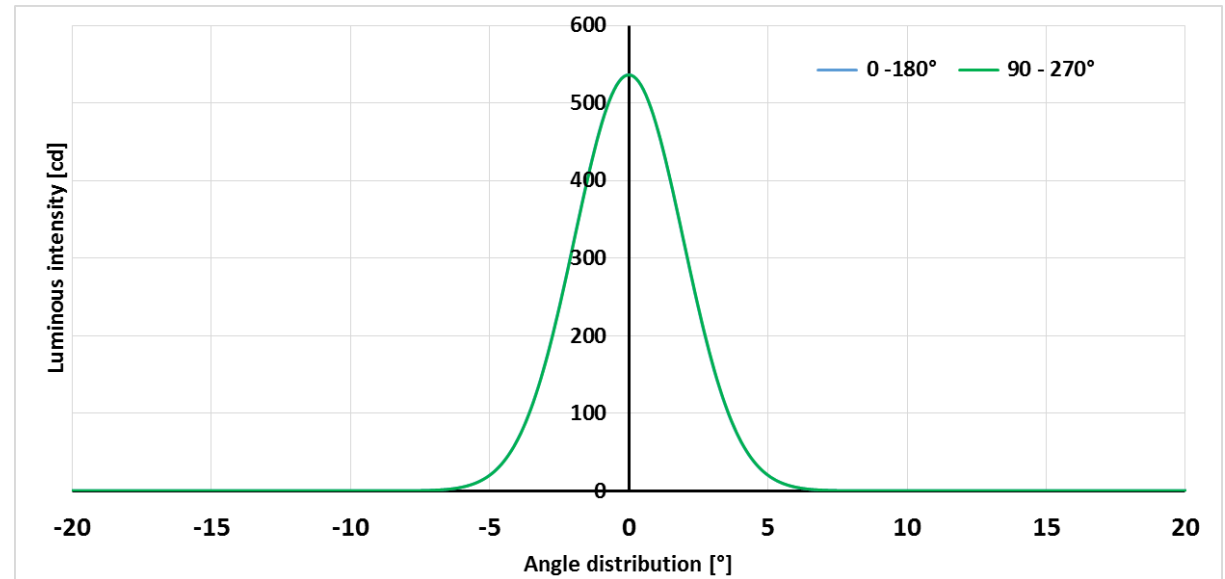
[BACK TO LIST](#)

A010 6515 – simulation results

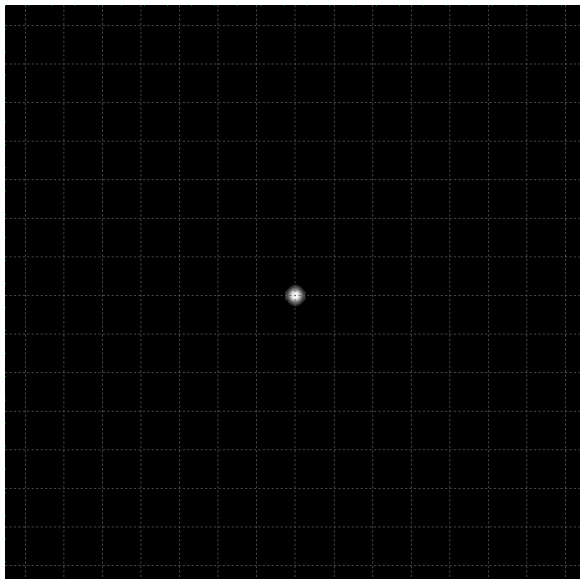
Polar Candela Distribution Plot



Rectangular Candela Distribution Plot



Projection wall 3x3 m at 1m



LED used for simulation	Cree XP-G
Luminous flux of LED [lm]	36

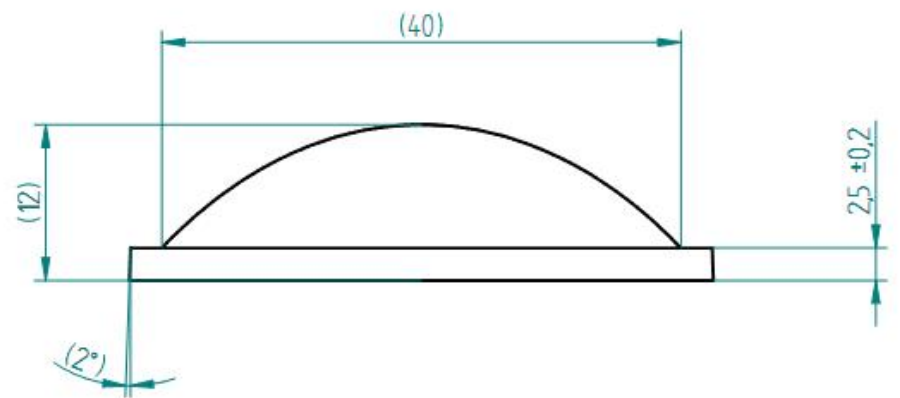
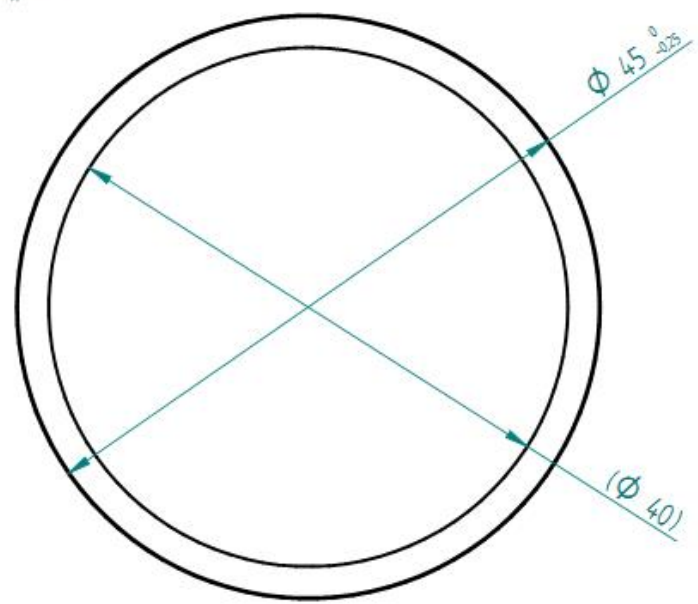
FWHM C0 [°]	6
FWHM C90 [°]	6

* The ratio between luminous flux on the projection wall (3x3 m at 1 m) and luminous flux of LED

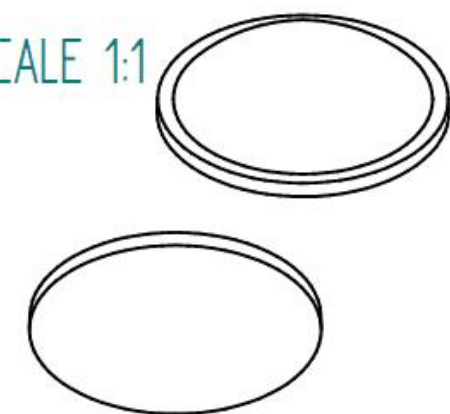
[BACK TO LIST](#)

A011 4512

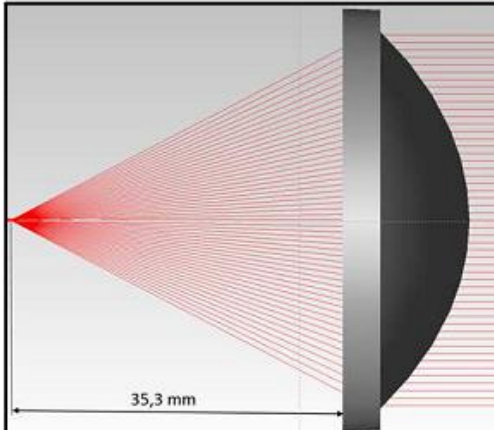
REVISION HISTORY			
REV	DESCRIPTION	DATE	APPROVED





SCALE 1:1



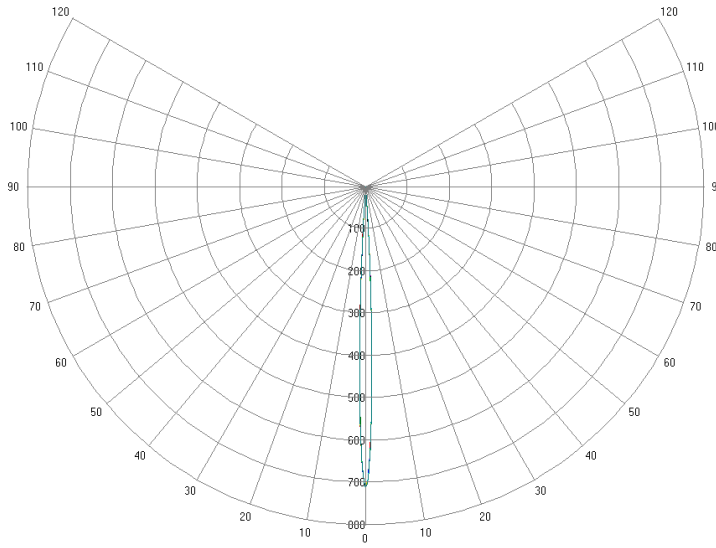
Glass: LIBA or alternative (nd = 1,521)



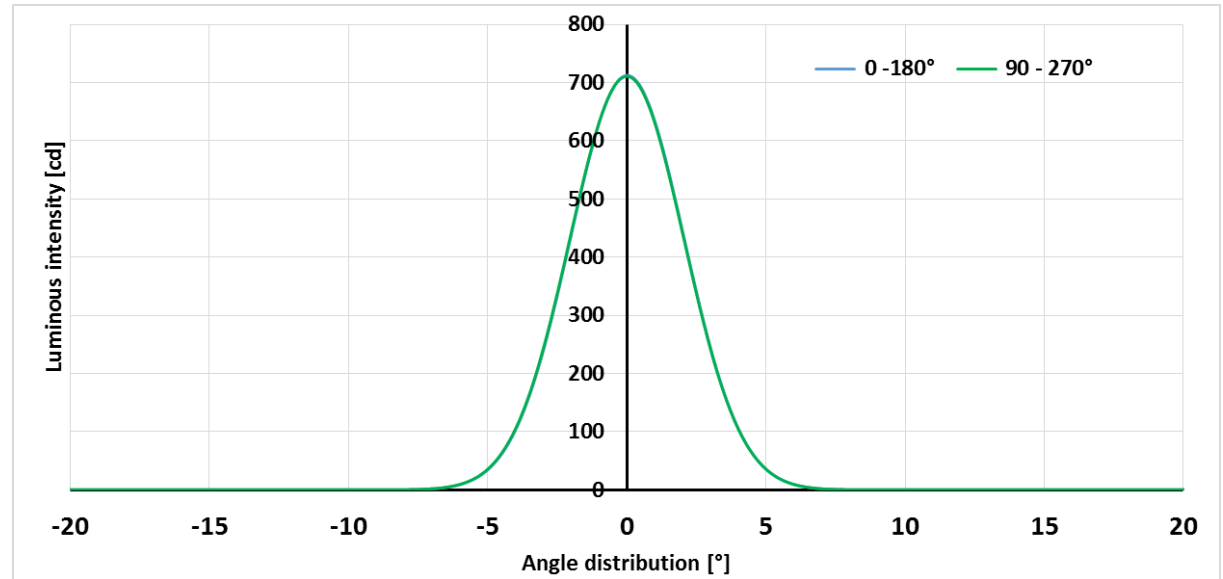
DRAWN	krutsky	DATE	05/14/20	 EcoGlass, a.s.						
CHECKED										
ENG APPR										
MGR APPR										
TITLE				A011 4512						
UNLESS OTHERWISE SPECIFIED DIMENSIONS ARE IN MILLIMETERS				<table border="1" style="width: 100%; border-collapse: collapse;"> <tr> <td style="width: 10%;">SIZE</td> <td style="width: 10%;">DWG NO</td> <td style="width: 10%;">REV</td> </tr> <tr> <td>A4</td> <td> </td> <td> </td> </tr> </table>	SIZE	DWG NO	REV	A4		
SIZE	DWG NO	REV								
A4										
SCALE		WEIGHT	SHEET 1 OF 1							

A011 4512 – simulation results

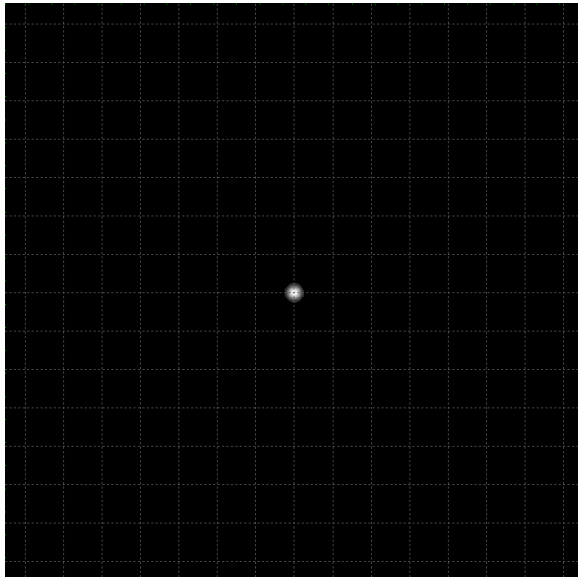
Polar Candela Distribution Plot



Rectangular Candela Distribution Plot



Projection wall 3x3 m at 1m



LED used for simulation	Cree XP-G
Luminous flux of LED [lm]	36

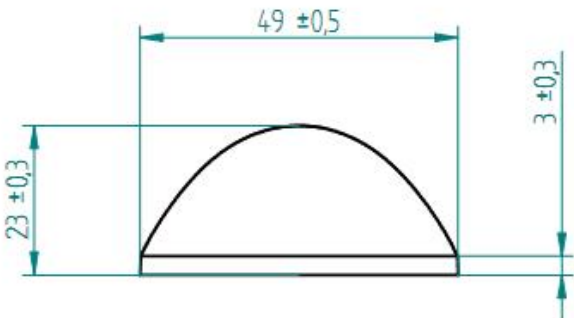
FWHM C0 [°]	6
FWHM C90 [°]	6

* The ratio between luminous flux on the projection wall (3x3 m at 1 m) and luminous flux of LED

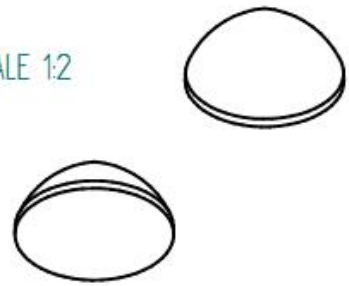
[BACK TO LIST](#)

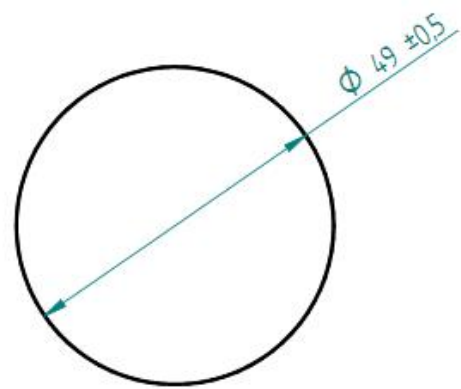
A016 4923

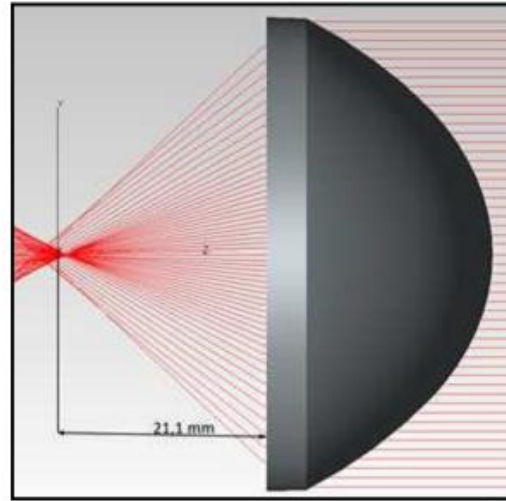
REVISION HISTORY			
REV	DESCRIPTION	DATE	APPROVED




SCALE 1:2







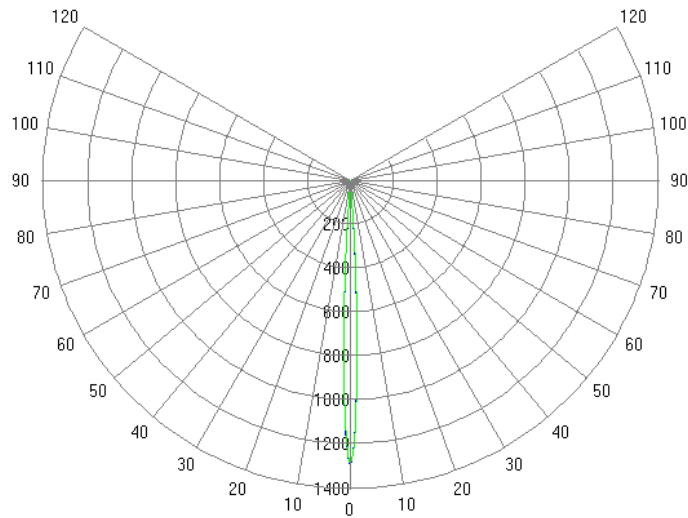
Glass: LIBA or alternative (nd = 1,521)

	NAME	DATE	 EcoGlass, a.s.
DRAWN	krutsky	05/14/20	
CHECKED			
ENG APPR			
MGR APPR			A016 4923
UNLESS OTHERWISE SPECIFIED, DIMENSIONS ARE IN MILLIMETERS			SIZE: A4 FILE NAME: A016_small.dwg SCALE: WEIGHT: 66 g SHEET 1 OF 1

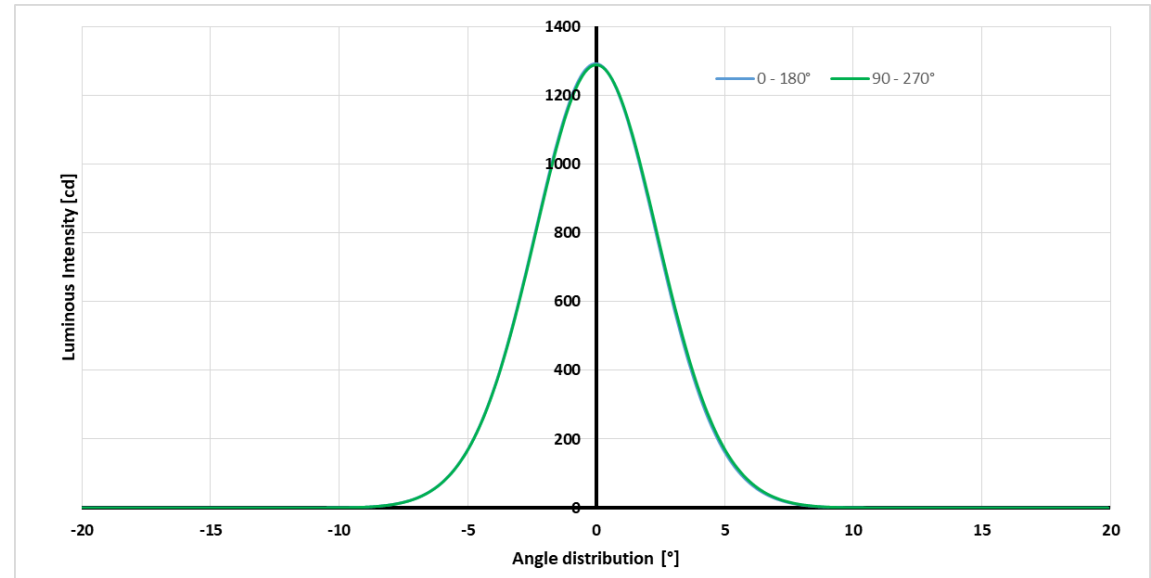
[BACK TO LIST](#)

A016 4923 – simulation results

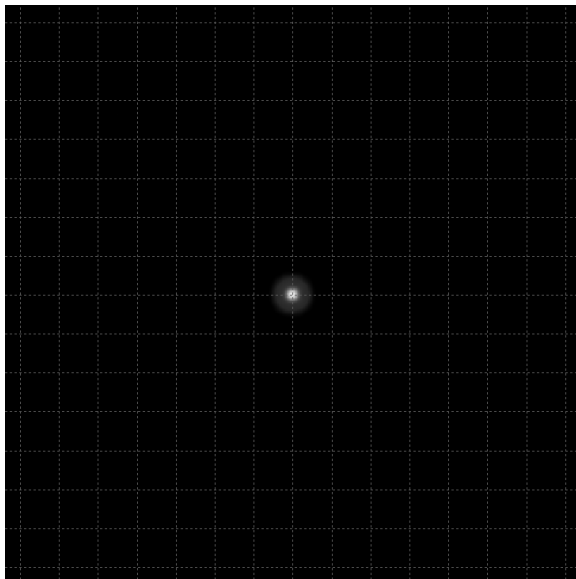
Polar Candela Distribution Plot



Rectangular Candela Distribution Plot



Projection wall 3x3 m at 1m



LED used for simulation	Cree XP-G
Luminous flux of LED [lm]	36

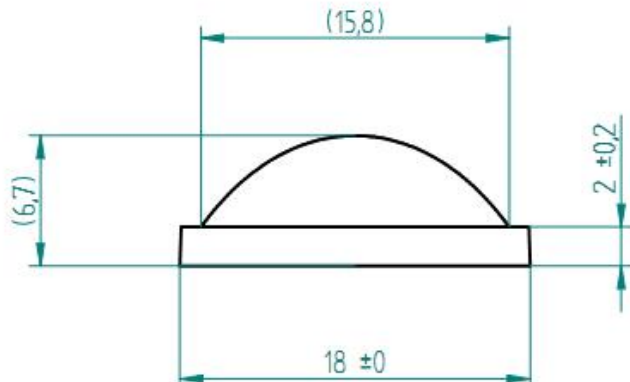
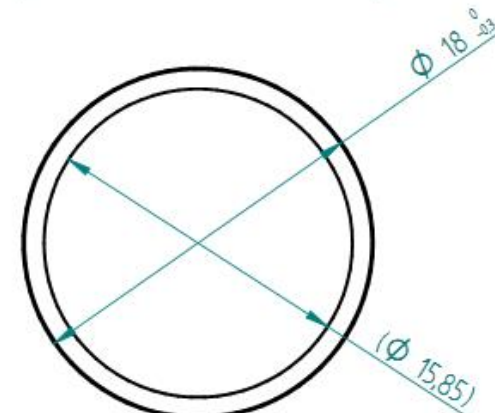
FWHM C0 [°]	5.6
FWHM C90 [°]	5.6

* The ratio between luminous flux on the projection wall (3x3 m at 1 m) and luminous flux of LED


[BACK TO LIST](#)

A034 1807

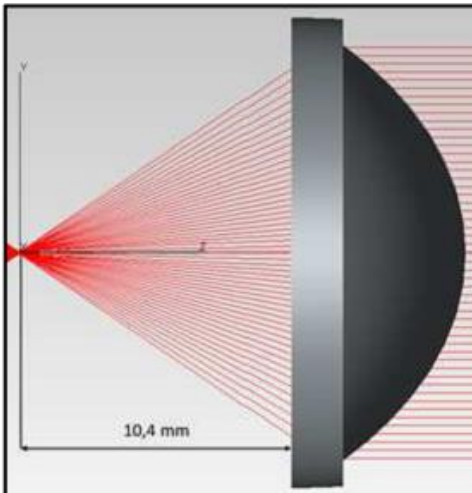
REVISION HISTORY			
REV	DESCRIPTION	DATE	APPROVED





SCALE 2:1



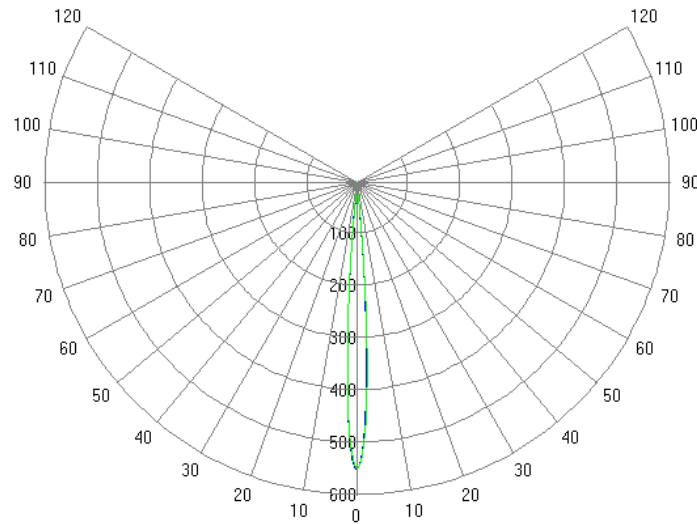
Glass: LIBA or alternative ($n_d = 1,521$)



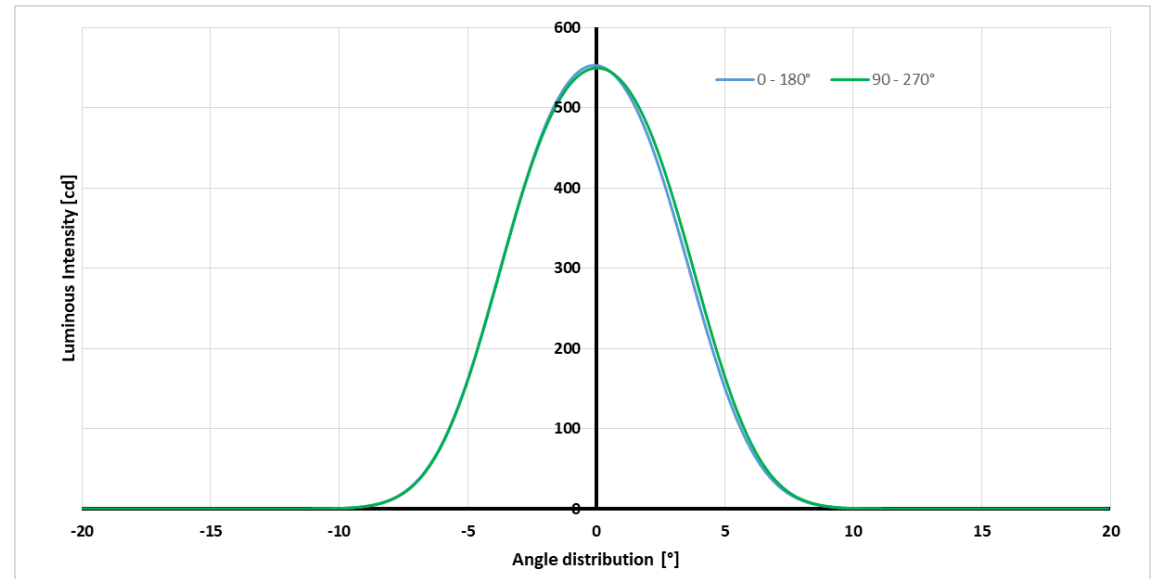
NAME	DATE	 EcoGlass, a.s.															
DRAWN	krutsky 05/14/20																
CHECKED																	
ENG APPR																	
MER APPR		A034 1807															
UNLESS OTHERWISE SPECIFIED DIMENSIONS ARE IN MILLIMETERS		<table border="1" style="width: 100%; border-collapse: collapse;"> <tr> <td style="width: 10%;">SIZE</td> <td style="width: 10%;">DWG NO</td> <td style="width: 10%;">REV</td> </tr> <tr> <td>A4</td> <td> </td> <td> </td> </tr> <tr> <td colspan="3" style="font-size: x-small;">FILE NAME: A034_small.dwg</td> </tr> <tr> <td>SCALE</td> <td>WEIGHT</td> <td>SHEET</td> </tr> <tr> <td> </td> <td>3 g</td> <td>1 OF 1</td> </tr> </table>	SIZE	DWG NO	REV	A4			FILE NAME: A034_small.dwg			SCALE	WEIGHT	SHEET		3 g	1 OF 1
SIZE	DWG NO	REV															
A4																	
FILE NAME: A034_small.dwg																	
SCALE	WEIGHT	SHEET															
	3 g	1 OF 1															

A034 1807 – simulation results

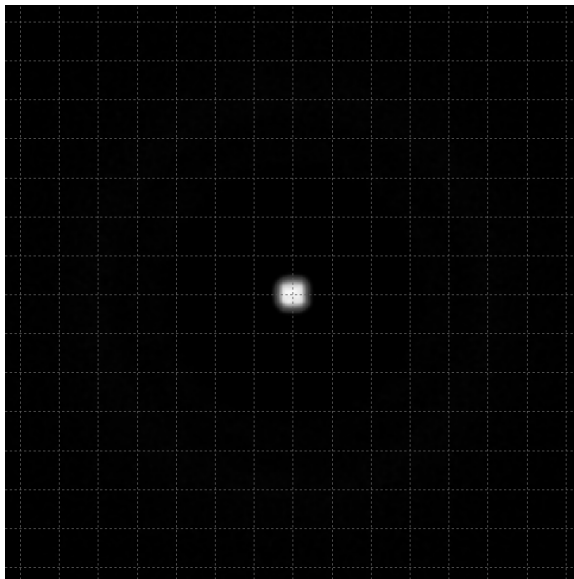
Polar Candela Distribution Plot



Rectangular Candela Distribution Plot



Projection wall 3x3 m at 1m



LED used for simulation	Cree XP-G
Luminous flux of LED [lm]	36

FWHM C0 [°]	8
FWHM C90 [°]	8

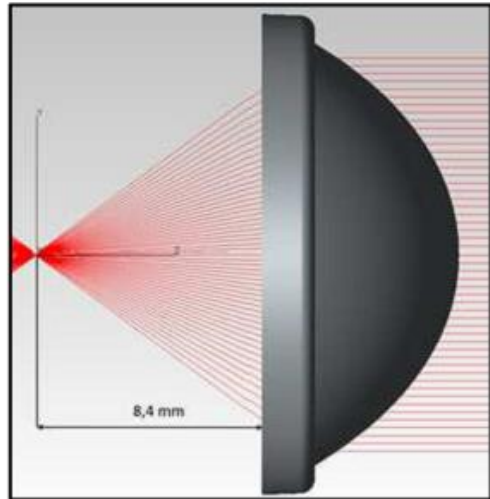
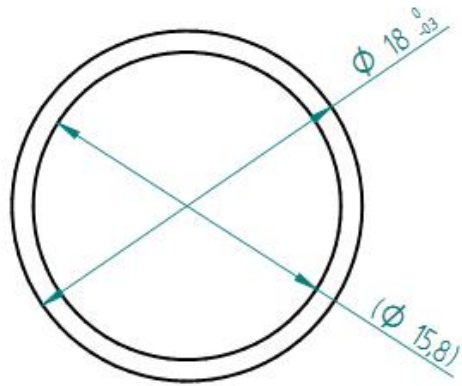
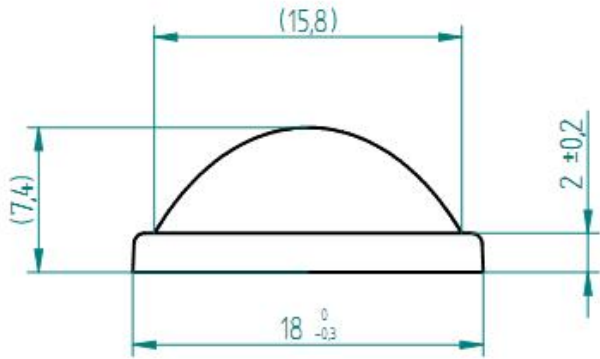
* The ratio between luminous flux on the projection wall (3x3 m at 1 m) and luminous flux of LED

[BACK TO LIST](#)

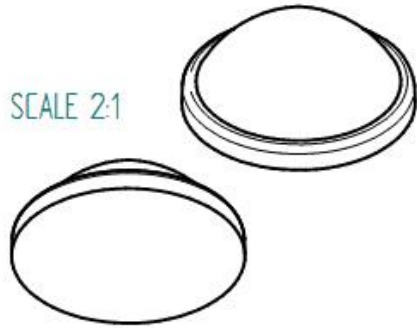


EcoGlass

A053 1807



SCALE 2:1



REVISION HISTORY			
REV	DESCRIPTION	DATE	APPROVED

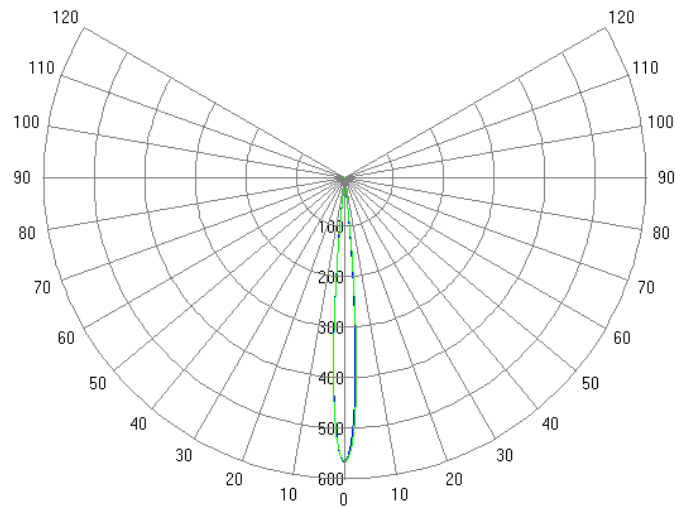
Glass: LIBA or alternative ($n_d = 1,521$)

NAME	DATE	 EcoGlass, a.s.
DRAWN	05/14/20	
CHECKED		
ENG APPR		
MGR APPR		A053 1807
UNLESS OTHERWISE SPECIFIED DIMENSIONS ARE IN MILLIMETERS		SIZE A4 FILE NAME: A053_small.dwg
SCALE	WEIGHT: 3 g	SHEET 1 OF 1

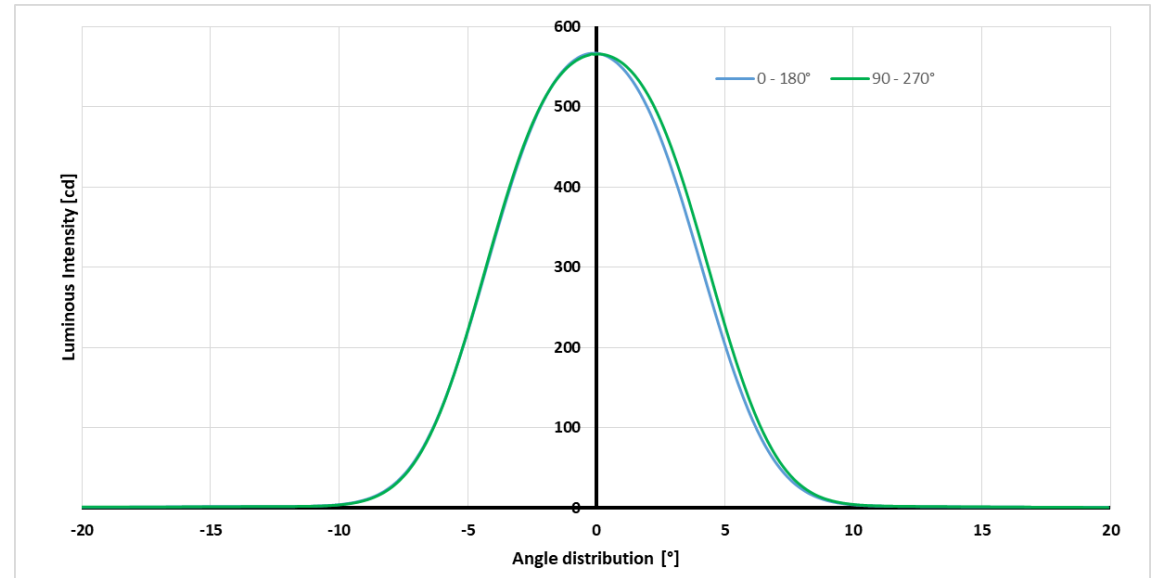
BACK TO LIST

A053 1807 – simulation results

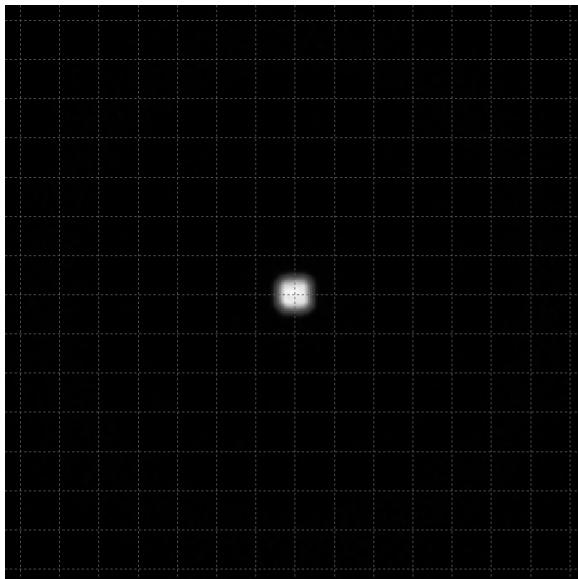
Polar Candela Distribution Plot



Rectangular Candela Distribution Plot



Projection wall 3x3 m at 1m



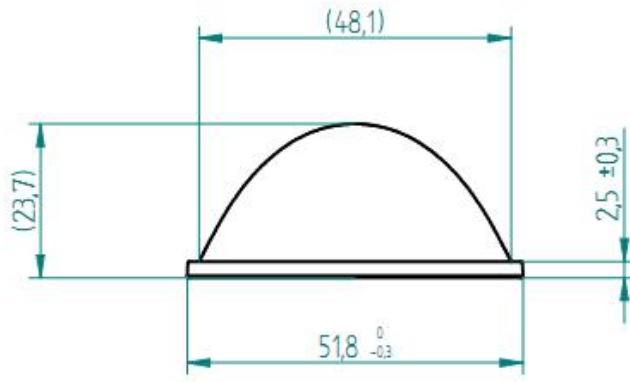
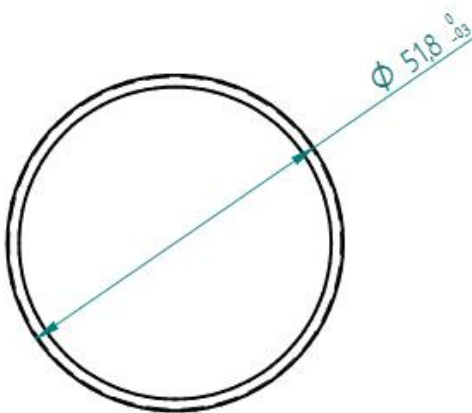
LED used for simulation	Cree XP-G
Luminous flux of LED [lm]	36

FWHM C0 [°]	9
FWHM C90 [°]	9

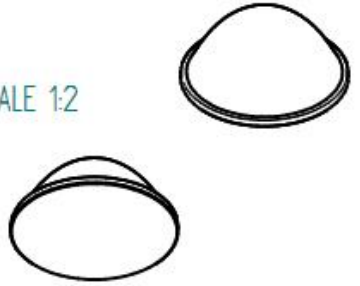
* The ratio between luminous flux on the projection wall (3x3 m at 1 m) and luminous flux of LED

[BACK TO LIST](#)

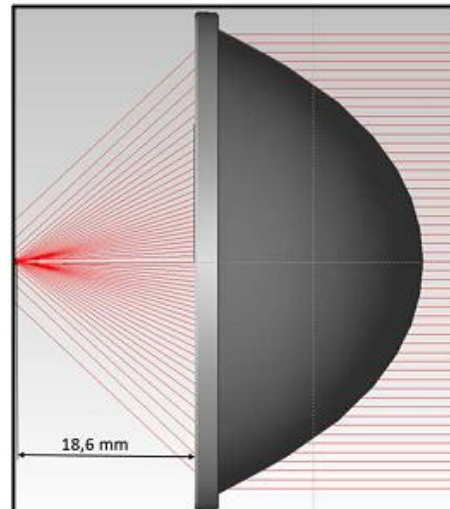
REVISION HISTORY			
REV	DESCRIPTION	DATE	APPROVED





SCALE 1:2



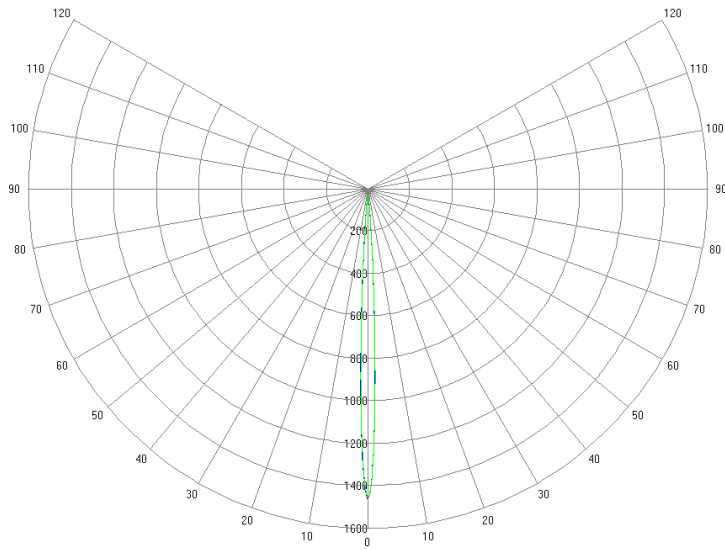
Glass: LIBA or alternative (nd = 1,521)



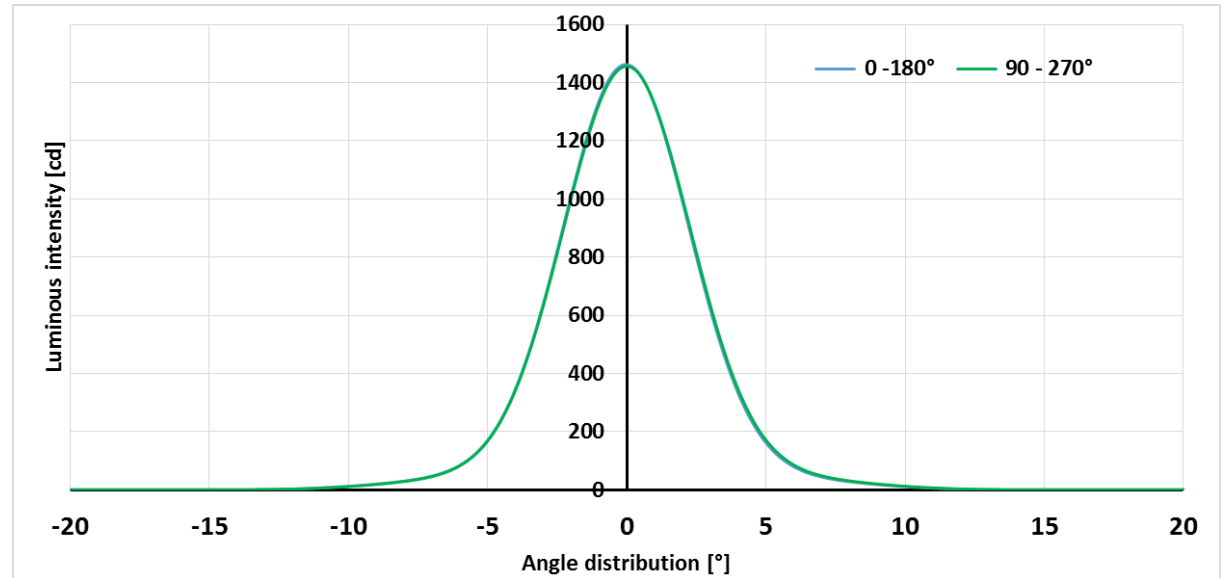
NAME	DATE	 EcoGlass, a.s.															
DRAWN	krutsky 05/14/20																
CHECKED																	
ENG APPR																	
MGR APPR		A071 5224															
UNLESS OTHERWISE SPECIFIED DIMENSIONS ARE IN MILLIMETERS		<table border="1" style="width: 100%; border-collapse: collapse;"> <tr> <td style="width: 10%;">SIZE</td> <td style="width: 10%;">DWG NO</td> <td style="width: 10%;">REV</td> </tr> <tr> <td>A4</td> <td> </td> <td> </td> </tr> <tr> <td colspan="3" style="font-size: x-small;">FILE NAME: A071_small.dwg</td> </tr> <tr> <td>SCALE</td> <td>WEIGHT</td> <td>SHEET 1 OF 1</td> </tr> <tr> <td> </td> <td>67 g</td> <td> </td> </tr> </table>	SIZE	DWG NO	REV	A4			FILE NAME: A071_small.dwg			SCALE	WEIGHT	SHEET 1 OF 1		67 g	
SIZE	DWG NO	REV															
A4																	
FILE NAME: A071_small.dwg																	
SCALE	WEIGHT	SHEET 1 OF 1															
	67 g																

A071 5224 – simulation results

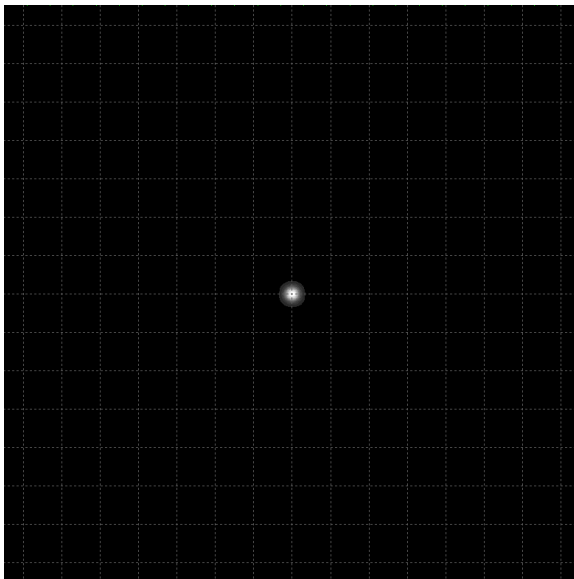
Polar Candela Distribution Plot



Rectangular Candela Distribution Plot



Projection wall 3x3 m at 1m



LED used for simulation	Cree XP-G
Luminous flux of LED [lm]	36

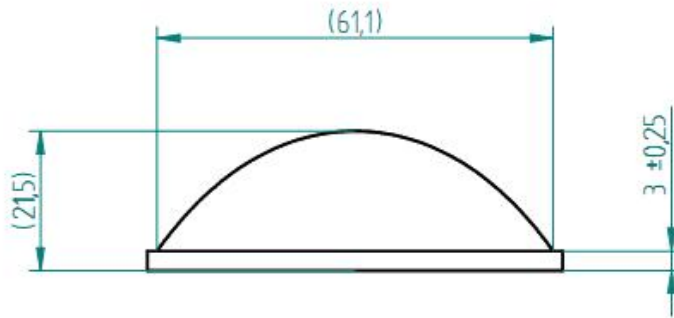
FWHM C0 [°]	6
FWHM C90 [°]	6

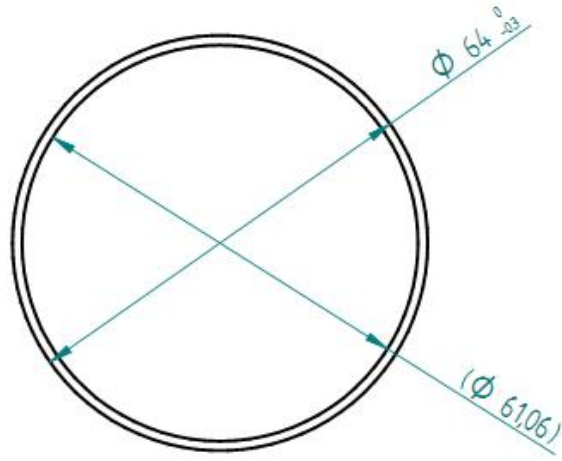
* The ratio between luminous flux on the projection wall (3x3 m at 1 m) and luminous flux of LED

[BACK TO LIST](#)

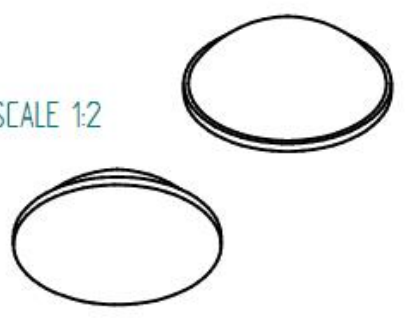
A079 6422

REVISION HISTORY			
REV	DESCRIPTION	DATE	APPROVED

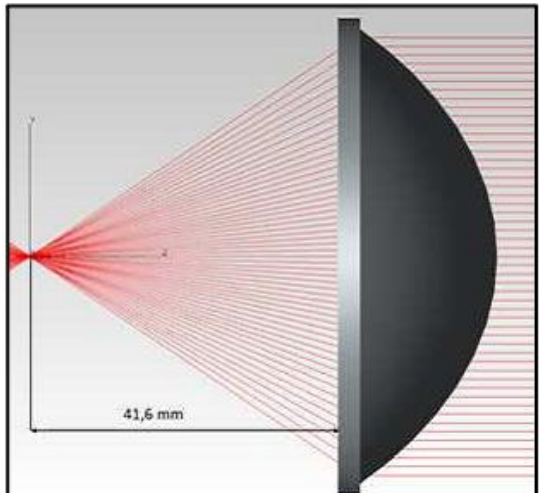





SCALE 1:2



Glass: LIBA or alternative (nd = 1,521)

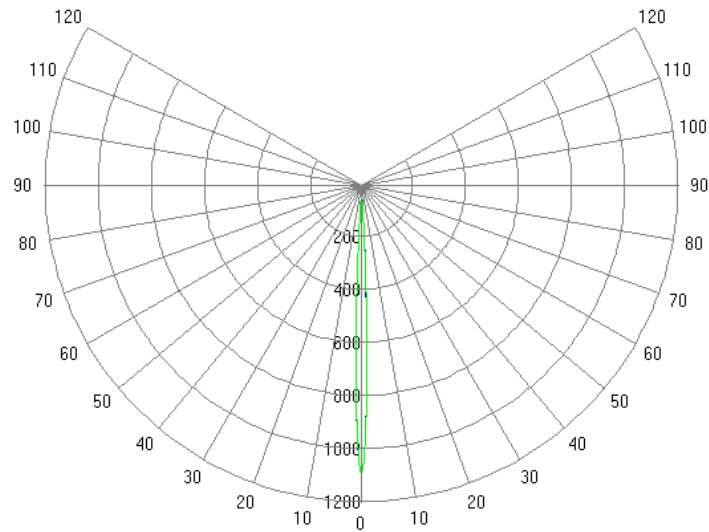


NAME	DATE	 EcoGlass, a.s.															
DRAWN	krutsky 05/14/20																
CHECKED																	
ENG APPR																	
MER APPR		A079 6422															
UNLESS OTHERWISE SPECIFIED DIMENSIONS ARE IN MILLIMETERS		<table border="1" style="width: 100%; border-collapse: collapse;"> <tr> <td style="width: 10%;">SIZE</td> <td style="width: 10%;">DWG NO</td> <td style="width: 10%;">REV</td> </tr> <tr> <td>A4</td> <td> </td> <td> </td> </tr> <tr> <td colspan="3" style="font-size: x-small;">FILE NAME: A079_smu1.dft</td> </tr> <tr> <td>SCALE</td> <td>WEIGHT</td> <td>SHEET 1 OF 1</td> </tr> <tr> <td> </td> <td>98 g</td> <td> </td> </tr> </table>	SIZE	DWG NO	REV	A4			FILE NAME: A079_smu1.dft			SCALE	WEIGHT	SHEET 1 OF 1		98 g	
SIZE	DWG NO	REV															
A4																	
FILE NAME: A079_smu1.dft																	
SCALE	WEIGHT	SHEET 1 OF 1															
	98 g																

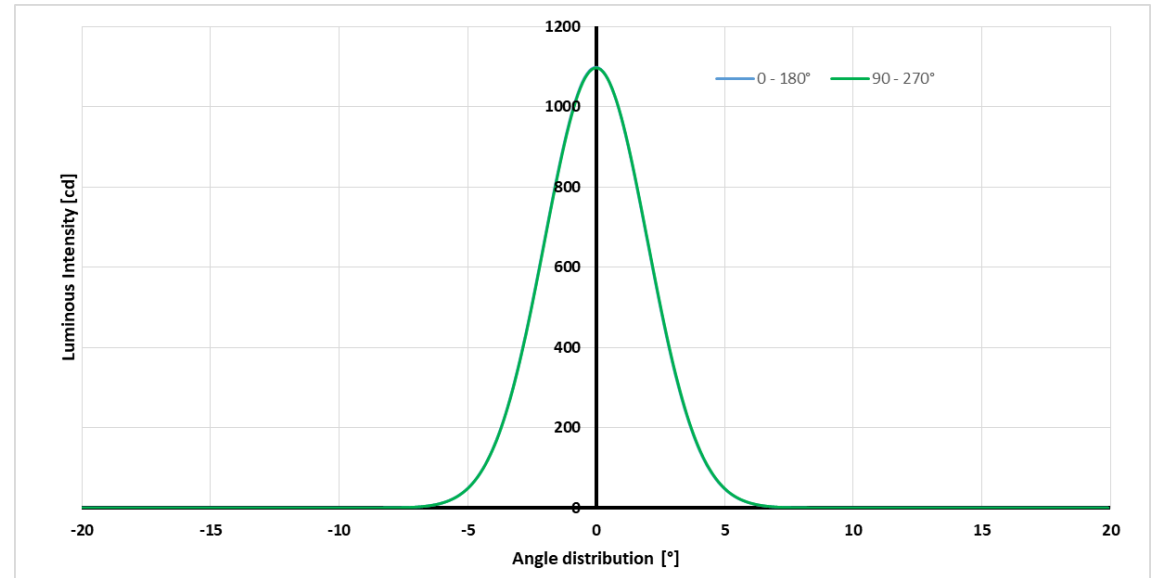
BACK TO LIST 

A079 6422 – simulation results

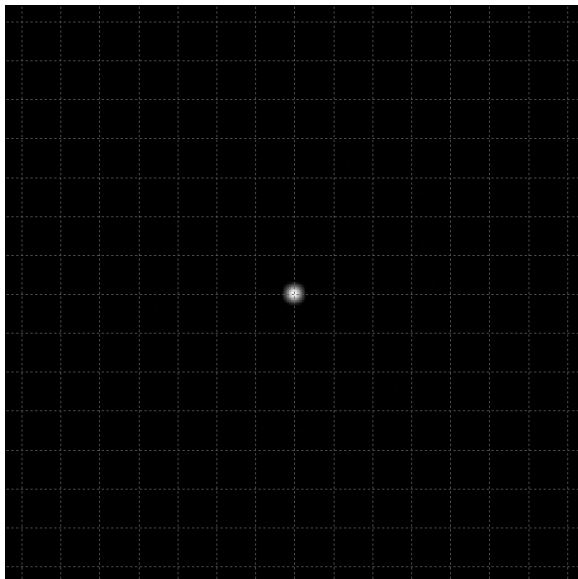
Polar Candela Distribution Plot



Rectangular Candela Distribution Plot



Projection wall 3x3 m at 1m



LED used for simulation	Cree XP-G
Luminous flux of LED [lm]	36

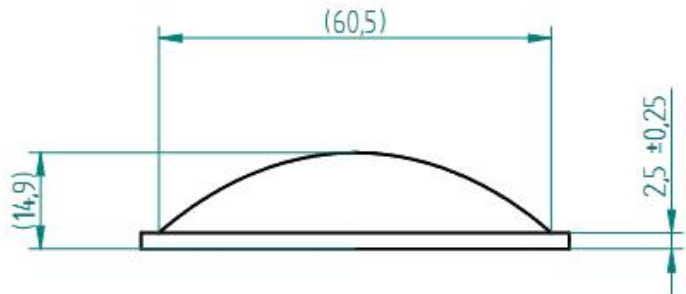
FWHM C0 [°]	5
FWHM C90 [°]	5

* The ratio between luminous flux on the projection wall (3x3 m at 1 m) and luminous flux of LED


[BACK TO LIST](#)

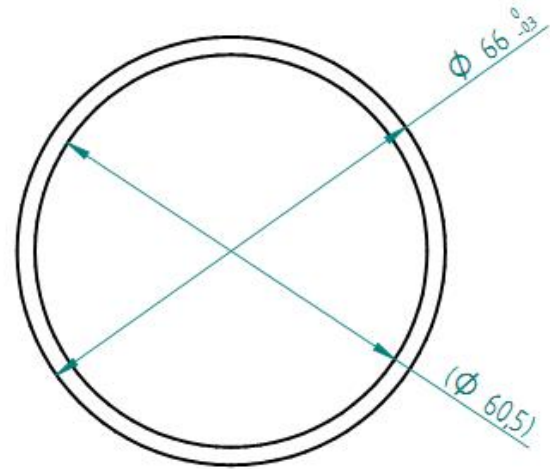
A104 6616

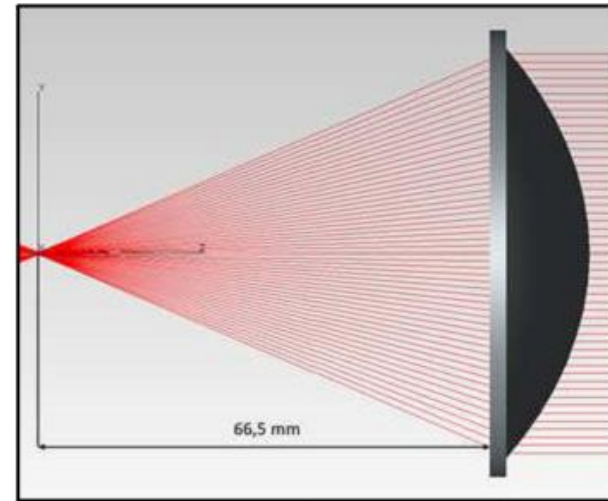
REVISION HISTORY			
REV	DESCRIPTION	DATE	APPROVED




SCALE 1:2







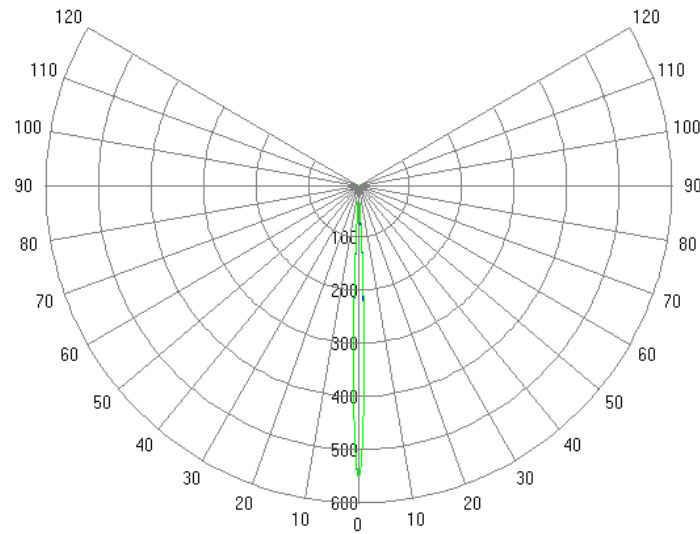
Glass: LIBA or alternative (nd = 1,521)

NAME	DATE	 EcoGlass, a.s.
DRAWN	05/14/20	
CHECKED		
ENG APPR		
TITLE		A104 6616
MER APPR		
UNLESS OTHERWISE SPECIFIED DIMENSIONS ARE IN MILLIMETERS		SIZE: A4 FILE NAME: A104_smallLoff
SCALE	WEIGHT: 69 g	SHEET 1 OF 1

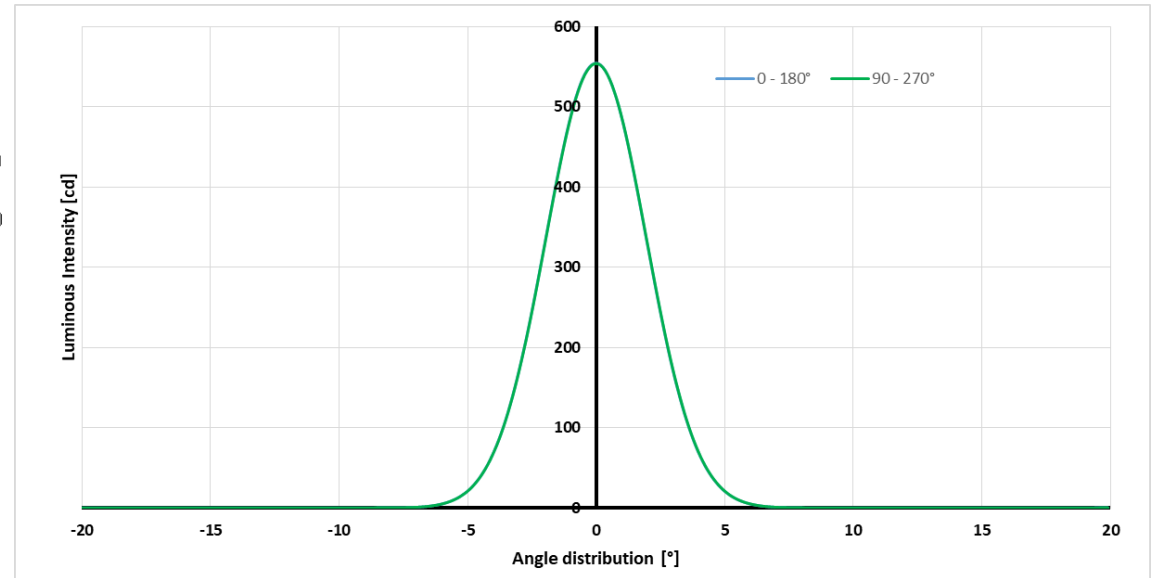
[BACK TO LIST](#)

A104 6616 – simulation results

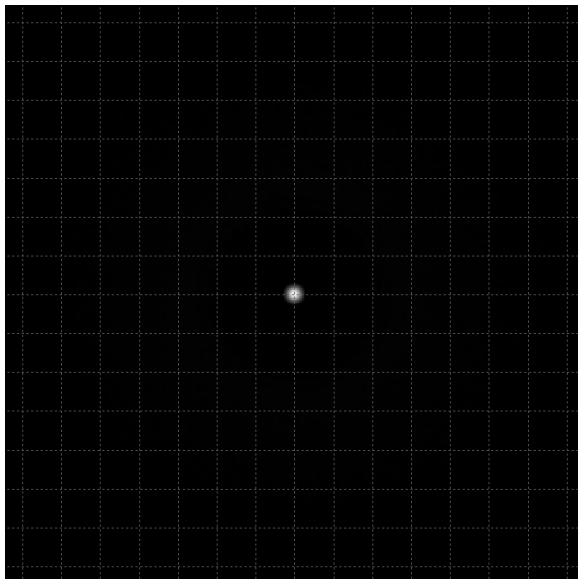
Polar Candela Distribution Plot



Rectangular Candela Distribution Plot



Projection wall 3x3 m at 1m



LED used for simulation	Cree XP-G
Luminous flux of LED [lm]	36

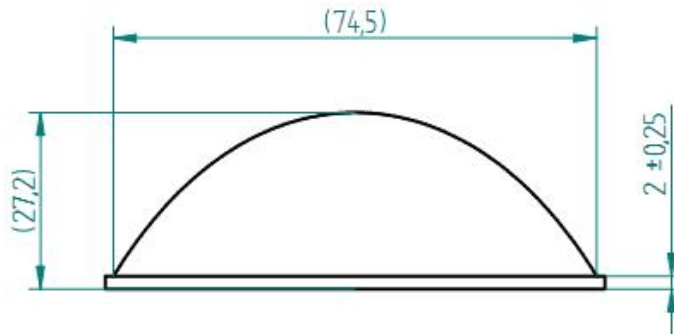
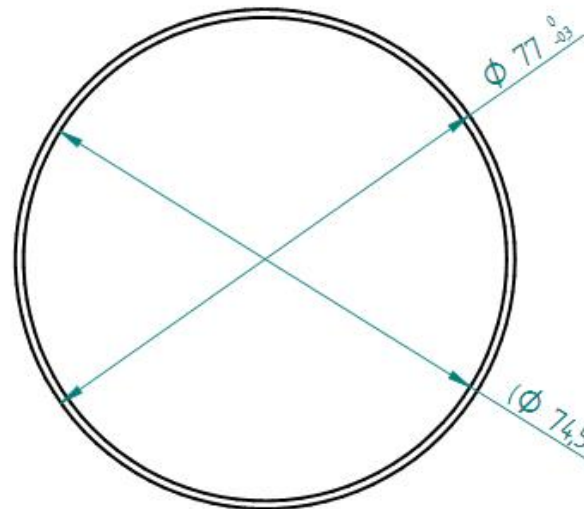
FWHM C0 [°]	5
FWHM C90 [°]	5

* The ratio between luminous flux on the projection wall (3x3 m at 1 m) and luminous flux of LED

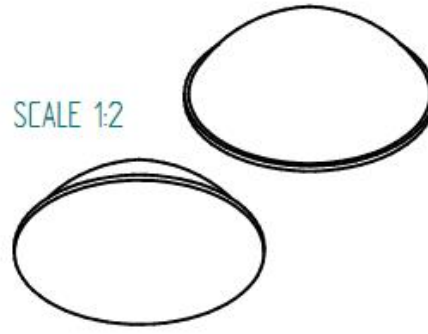
[BACK TO LIST](#)

A116 7727

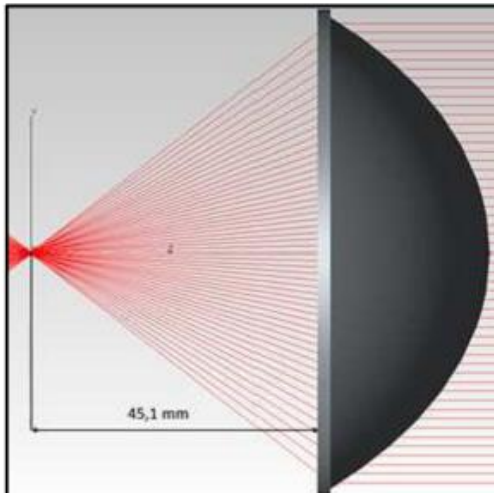
REVISION HISTORY			
REV	DESCRIPTION	DATE	APPROVED





SCALE 1:2



Glass: LIBA or alternative (nd = 1,521)

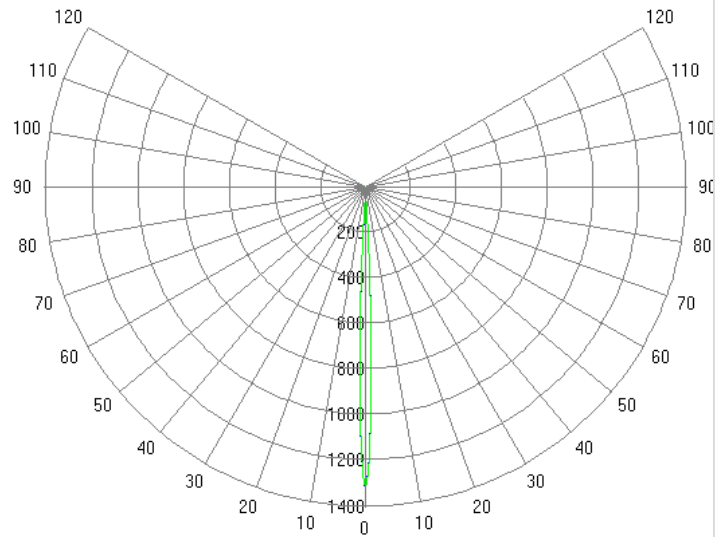


NAME	DATE	 EcoGlass, a.s.
DRAWN	krutsky 05/14/20	
CHECKED		
ENG APPR		
MER APPR		A116 7727
UNLESS OTHERWISE SPECIFIED DIMENSIONS ARE IN MILLIMETERS		SIZE: A4 FILE NAME: A116_small.dwg
SCALE		WEIGHT: 174 g SHEET 1 OF 1

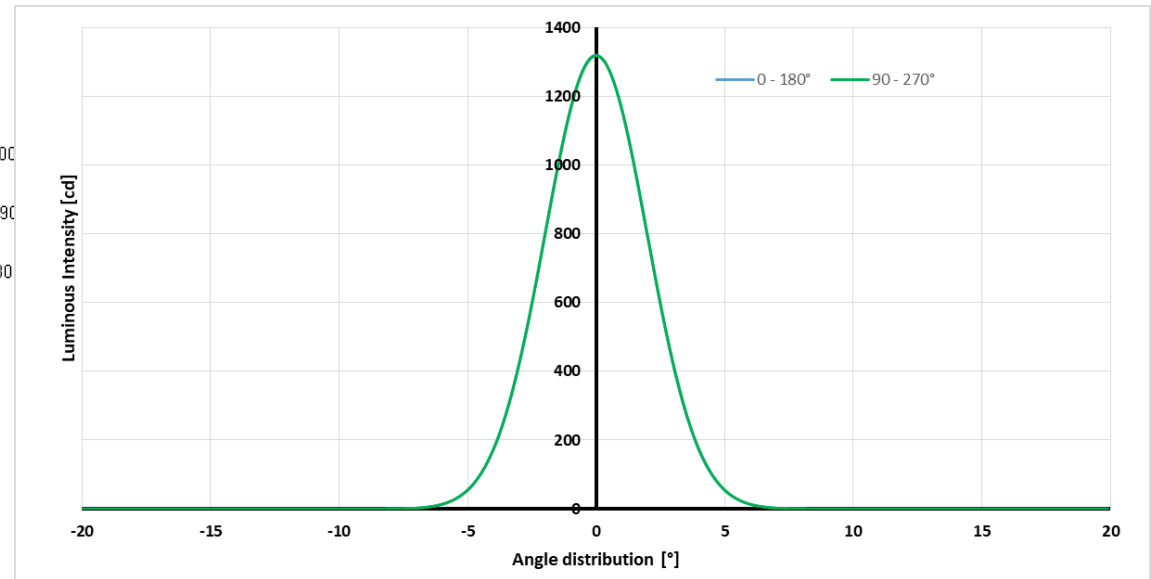
[BACK TO LIST](#)

A116 7727 – simulation results

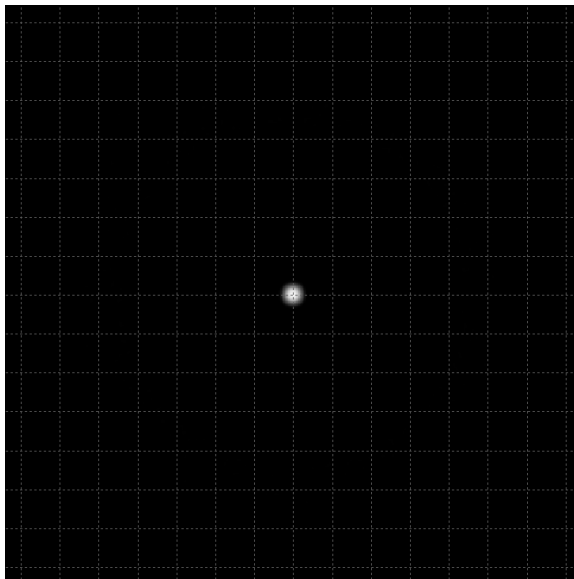
Polar Candela Distribution Plot



Rectangular Candela Distribution Plot



Projection wall 3x3 m at 1m



LED used for simulation	Cree XP-G
Luminous flux of LED [lm]	36

FWHM C0 [°]	5
FWHM C90 [°]	5

* The ratio between luminous flux on the projection wall (3x3 m at 1 m) and luminous flux of LED

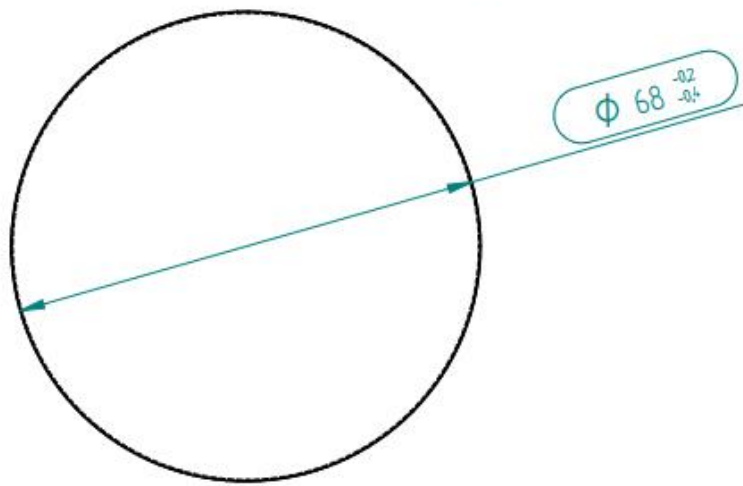
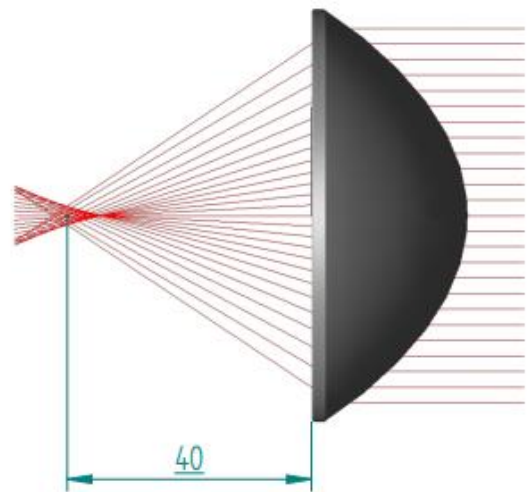
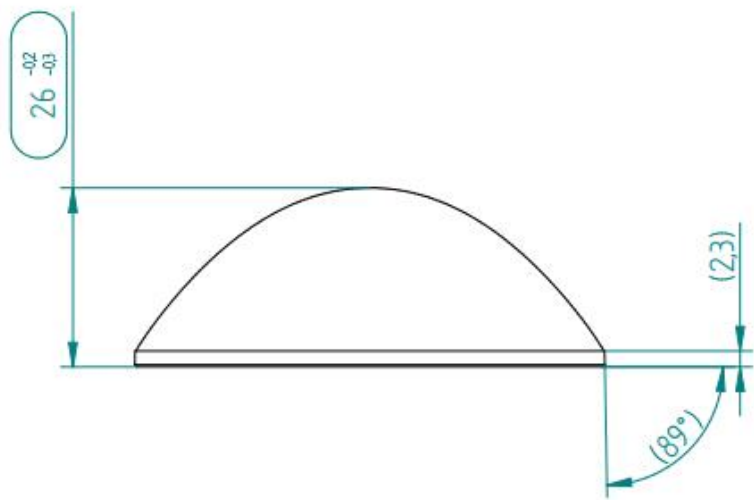
[BACK TO LIST](#)



EcoGlass

A163 6827

REVISION HISTORY			
REV	DESCRIPTION	DATE	APPROVED



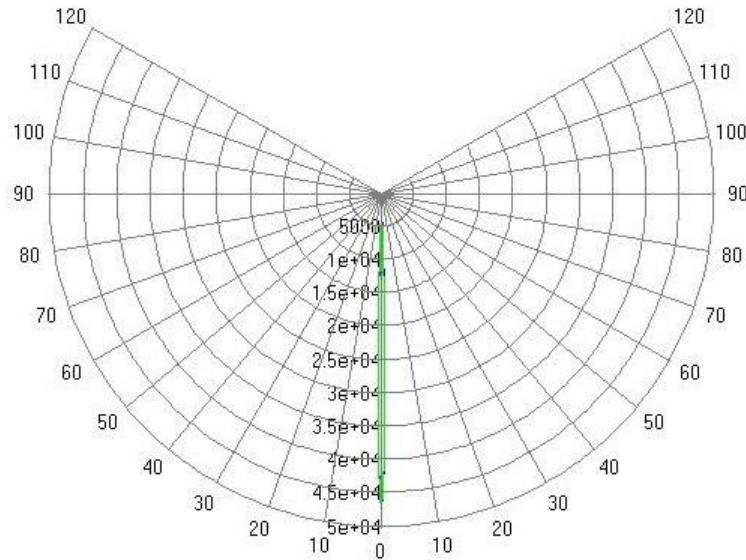
material : GLASS nd = 1,520

	NAME	DATE	 EcoGlass, a.s.	
DRAWN	jkocarek	09/14/23	TITLE: Aspheric Lens	
CHECKED				
ENG APPR				
MGR APPR				
UNLESS OTHERWISE SPECIFIED DIMENSIONS ARE IN MILLIMETERS ANGLES $\pm X.X^\circ$ 2 PL $\pm X.XX$ 3 PL $\pm X.XXX$			SIZE A4	DWG NO A163 6827 FILE NAME: A163 6827.dft
			SCALE:	WEIGHT:

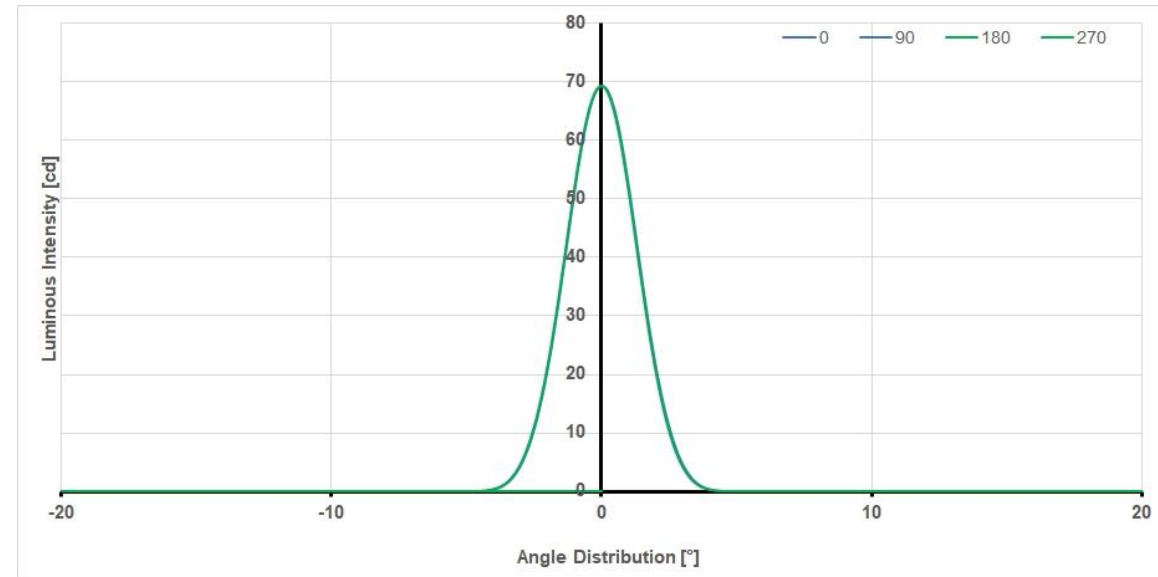
BACK TO LIST

A163 6827 – simulation results

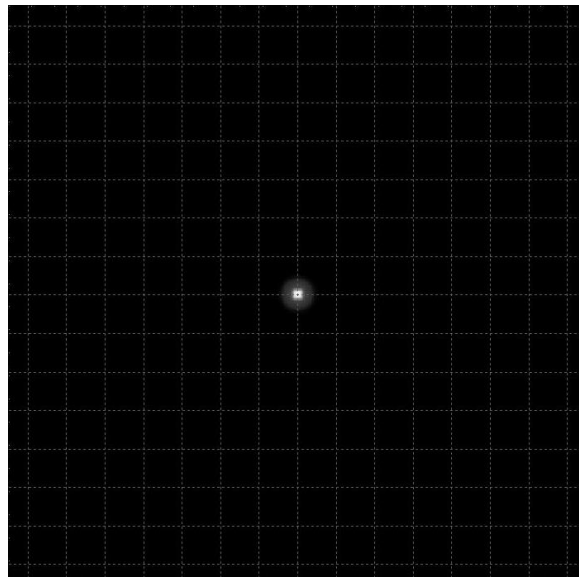
Polar Candela Distribution Plot



Rectangular Candela Distribution Plot



Projection wall 3x3 m at 1m



LED used for simulation	XP-G4
Luminous Flux of LED [lm]	357

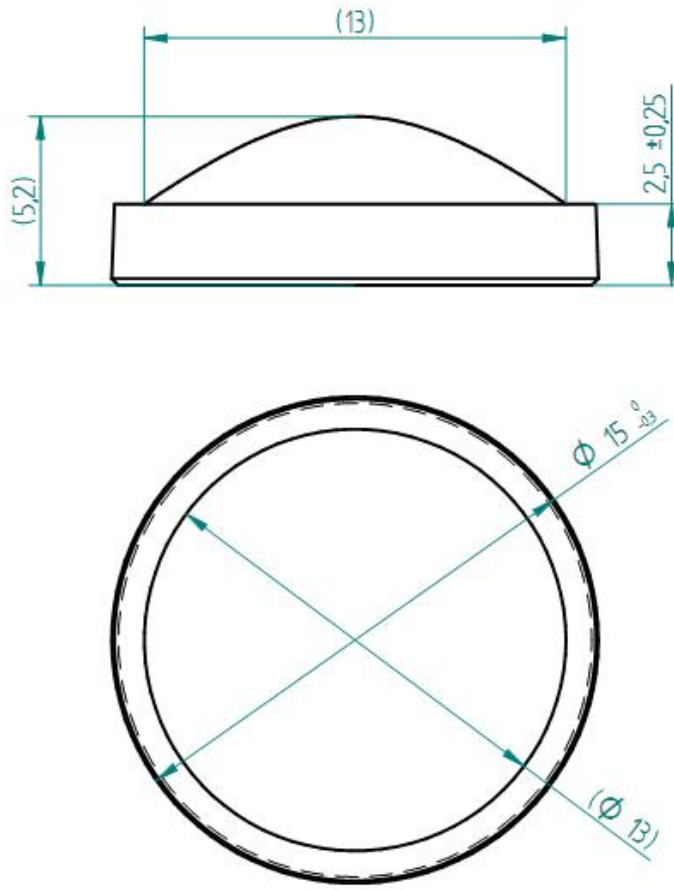
FWHM C0 [°]	3
FWHM C90 [°]	3

*The ratio between luminous flux on the projection wall (3x3m at 1m) and luminous flux of LED

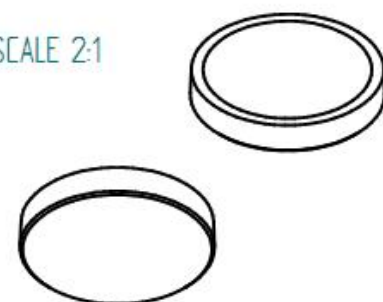
[BACK TO LIST](#)

A182 1506

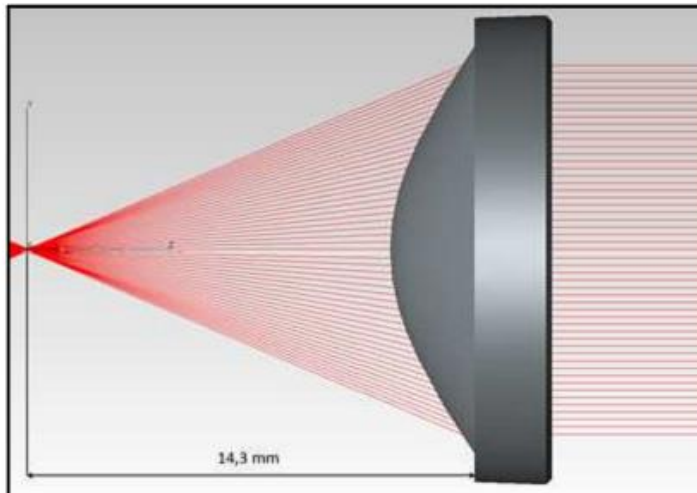
REVISION HISTORY			
REV	DESCRIPTION	DATE	APPROVED




SCALE 2:1



Glass: LIBA or alternative (nd = 1,521)

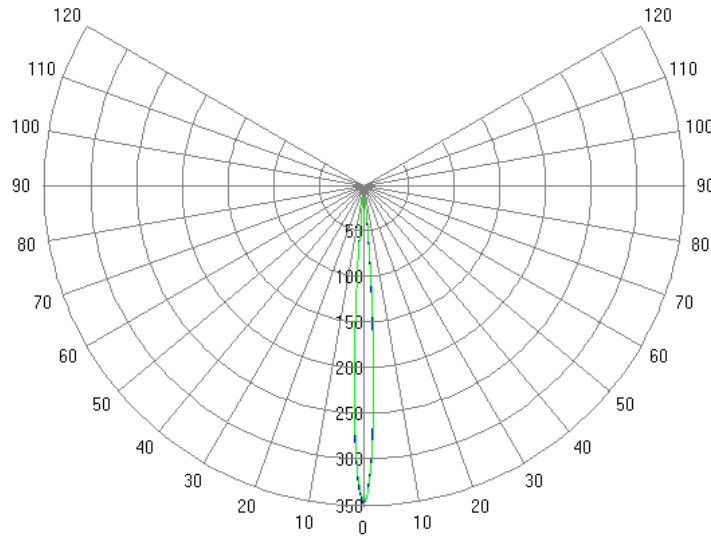


DRAWN	krutsky	DATE	05/14/20	 EcoGlass, a.s.
CHECKED				
ENG APPR				
MGR APPR				
TITLE				A182 1506
UNLESS OTHERWISE SPECIFIED DIMENSIONS ARE IN MILLIMETERS		SIZE	DWG NO	REV
SCALE		WEIGHT	SHEET	1 OF 1

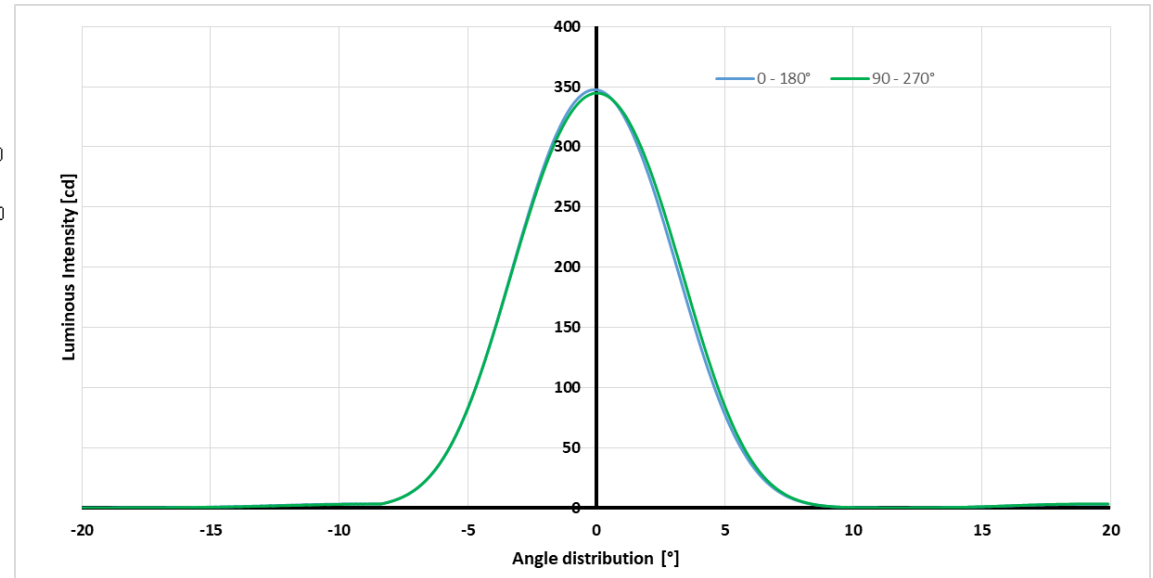
BACK TO LIST

A182 1506 – simulation results

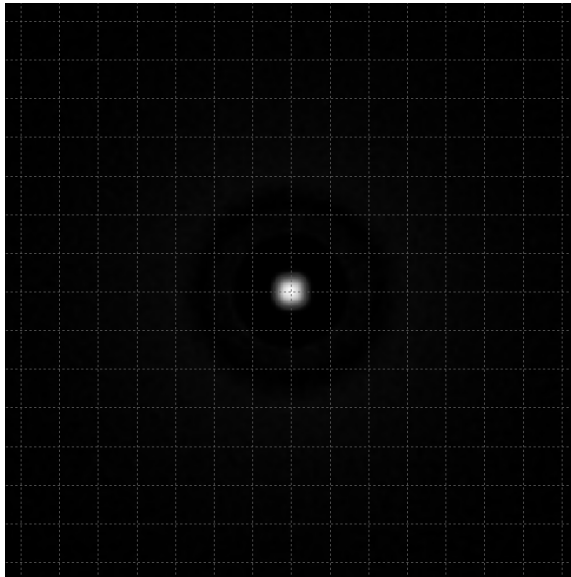
Polar Candela Distribution Plot



Rectangular Candela Distribution Plot



Projection wall 3x3 m at 1m



LED used for simulation	Cree XP-G
Luminous flux of LED [lm]	36

FWHM C0 [°]	7
FWHM C90 [°]	7

* The ratio between luminous flux on the projection wall (3x3 m at 1 m) and luminous flux of LED

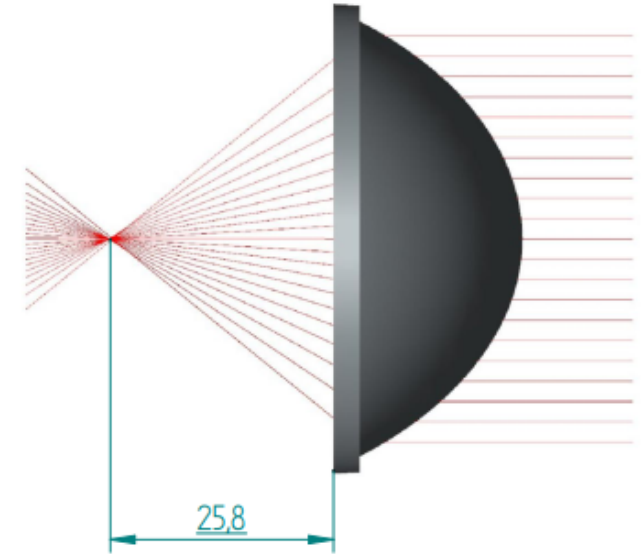
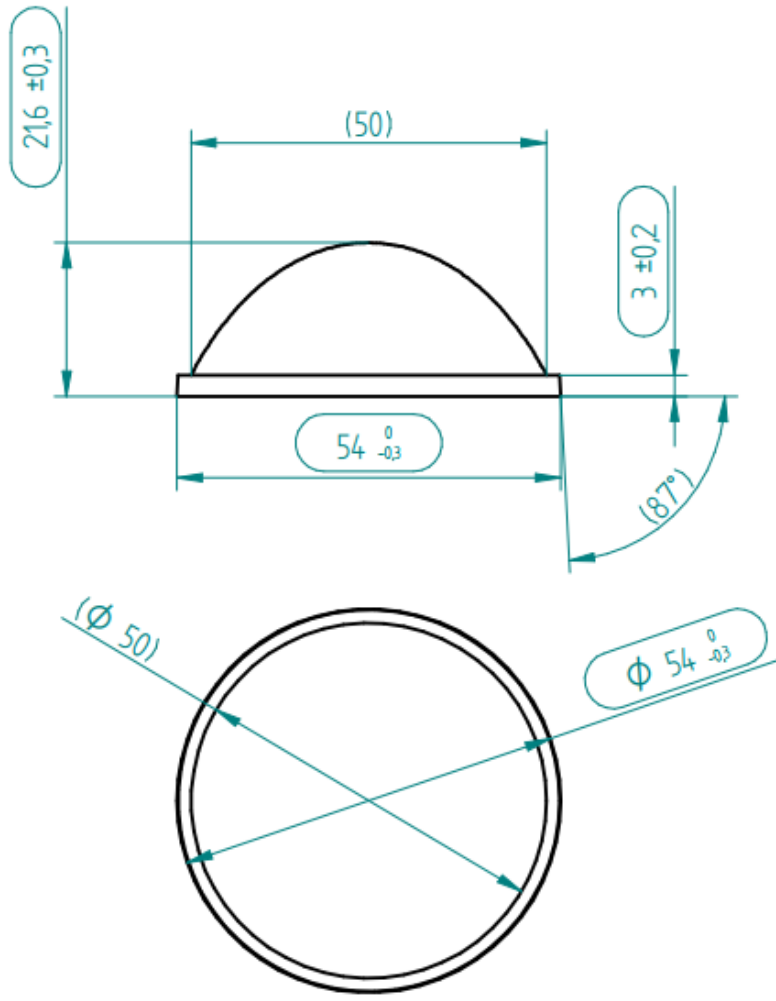
[BACK TO LIST](#)




EcoGlass

A636 5422

REVISION HISTORY			
REV	DESCRIPTION	DATE	APPROVED



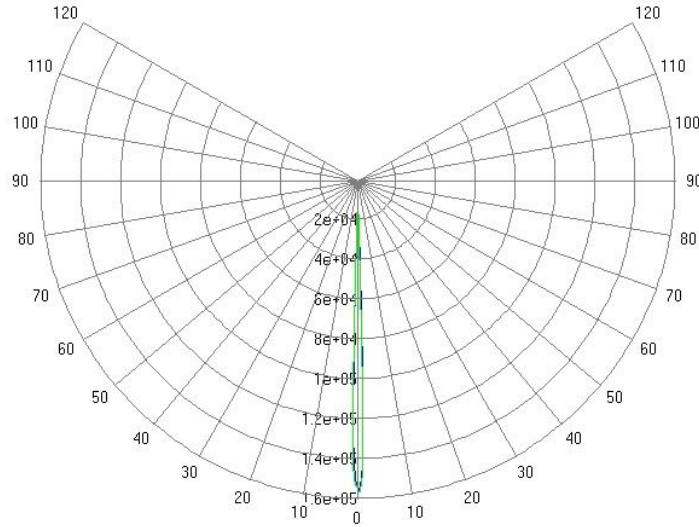
material : GLASS nd = 1.520

NAME	DATE	 EcoGlass, a.s.
DRAWN jkocarek	10/20/23	
CHECKED		
ENG APPR		
MGR APPR		TITLE
UNLESS OTHERWISE SPECIFIED DIMENSIONS ARE IN MILLIMETERS ANGLES $\pm X.X^\circ$ 2 PL $\pm X.XX$ 3 PL $\pm X.XXX$		aspheric lens
SIZE A4	DWG NO A636 5422	REV
FILE NAME: A636 5422.dft		
SCALE:	WEIGHT:	

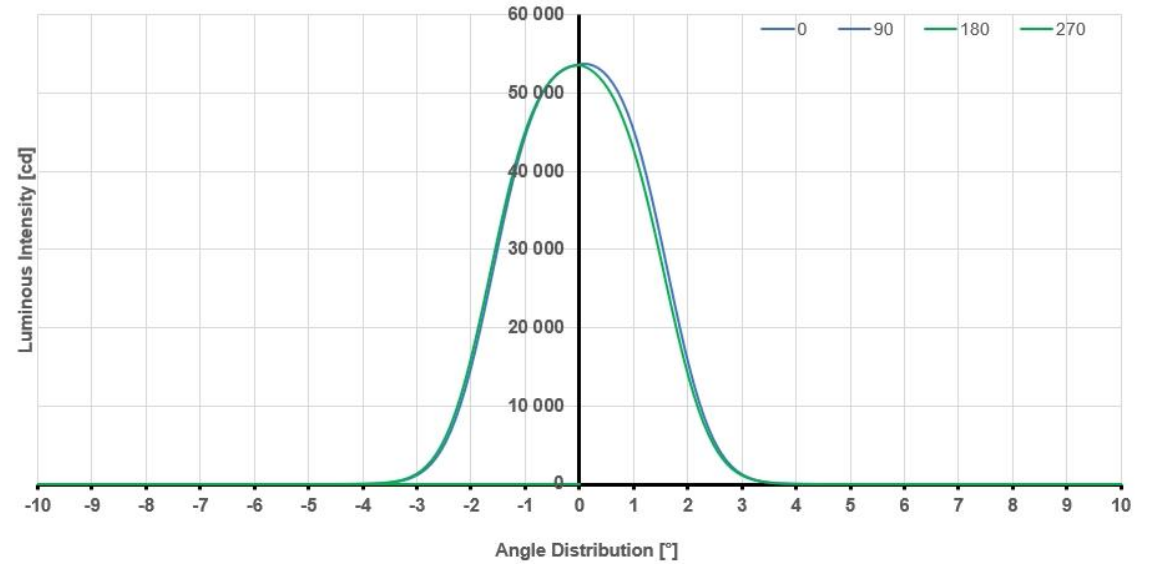
BACK TO LIST

A636 5422 – simulation results

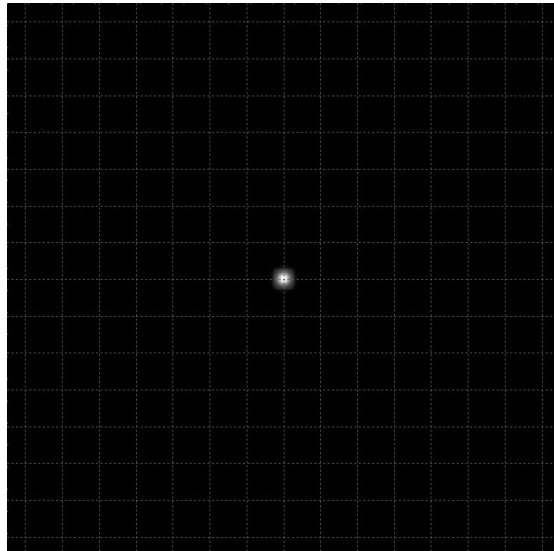
Polar Candela Distribution Plot



Rectangular Candela Distribution Plot



Projection wall 3x3 m at 1m



LED used for simulation	XP-G4
Luminous Flux of LED [lm]	357

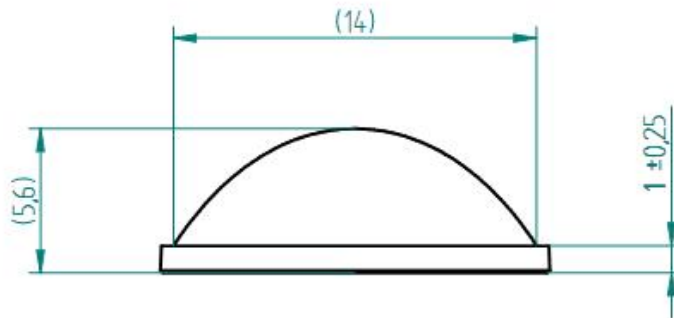
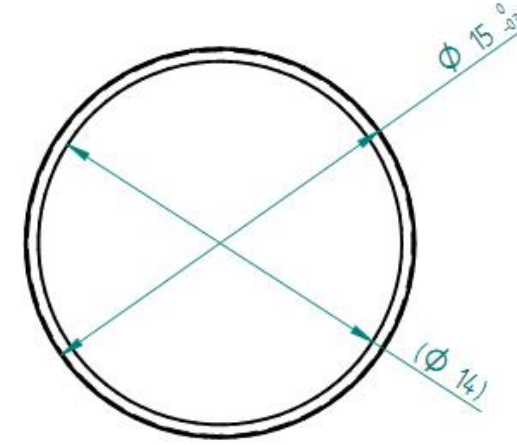
FWHM C0 [°]	3
FWHM C90 [°]	3

* The ratio between luminous flux on the projection wall (3x3 m at 1 m) and luminous flux of LED

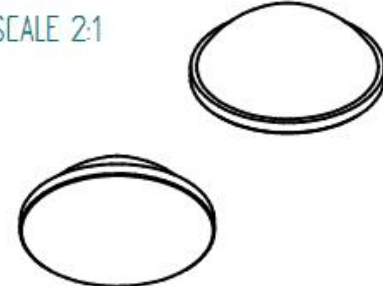
[BACK TO LIST](#)

A194 1506

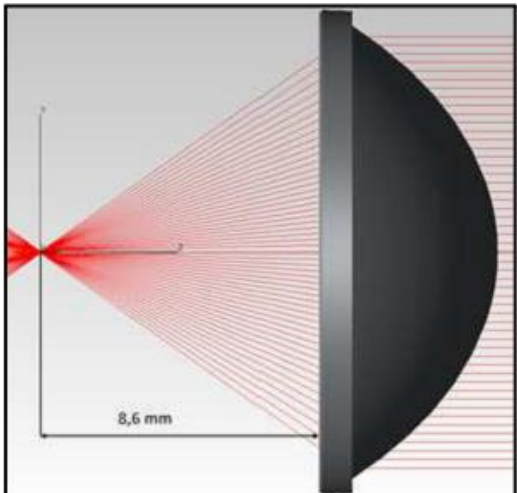
REVISION HISTORY			
REV	DESCRIPTION	DATE	APPROVED





SCALE 2:1



Glass: LIBA or alternative (nd = 1,521)

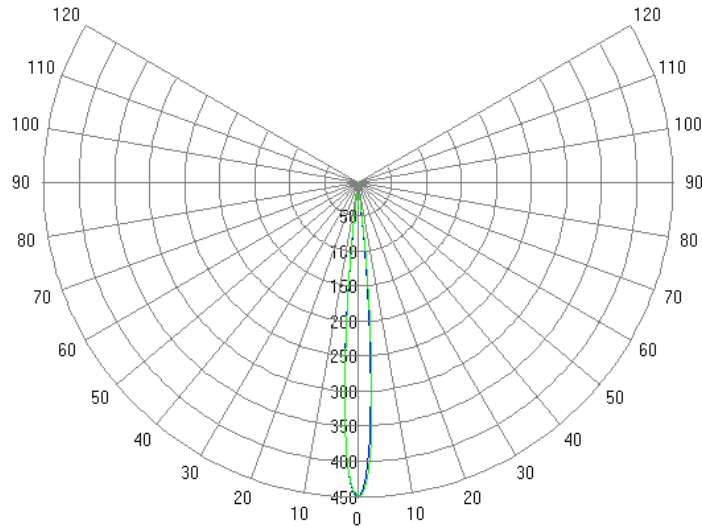


NAME	DATE	 EcoGlass, a.s.															
DRAWN	krutsky 05/14/20																
CHECKED																	
ENG APPR																	
MER APPR		A194 1506															
UNLESS OTHERWISE SPECIFIED DIMENSIONS ARE IN MILLIMETERS		<table border="1" style="width: 100%; border-collapse: collapse;"> <tr> <td style="width: 10%;">SIZE</td> <td style="width: 10%;">DWG NO</td> <td style="width: 10%;">REV</td> </tr> <tr> <td>A4</td> <td> </td> <td> </td> </tr> <tr> <td colspan="3" style="font-size: x-small;">FILE NAME: A194_small.dwg</td> </tr> <tr> <td>SCALE</td> <td>WEIGHT</td> <td>SHEET 1 OF 1</td> </tr> <tr> <td> </td> <td>1 g</td> <td> </td> </tr> </table>	SIZE	DWG NO	REV	A4			FILE NAME: A194_small.dwg			SCALE	WEIGHT	SHEET 1 OF 1		1 g	
SIZE	DWG NO	REV															
A4																	
FILE NAME: A194_small.dwg																	
SCALE	WEIGHT	SHEET 1 OF 1															
	1 g																

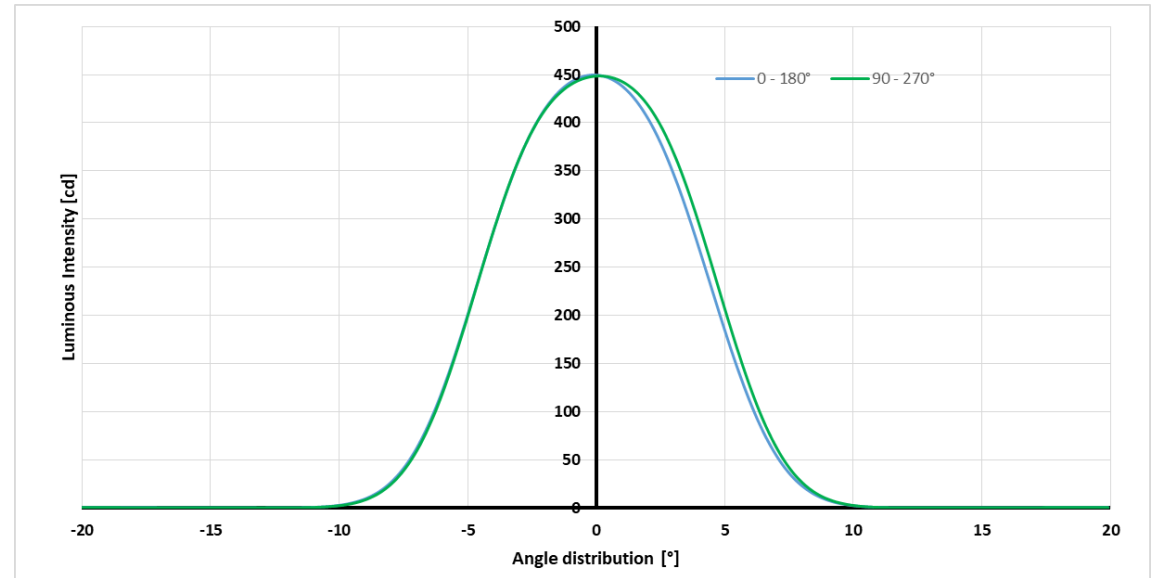
[BACK TO LIST](#)

A194 1506 – simulation results

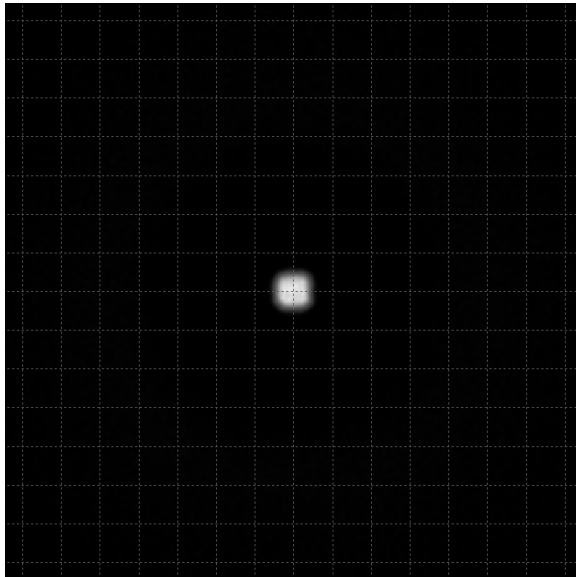
Polar Candela Distribution Plot



Rectangular Candela Distribution Plot



Projection wall 3x3 m at 1m



LED used for simulation	Cree XP-G
Luminous flux of LED [lm]	36

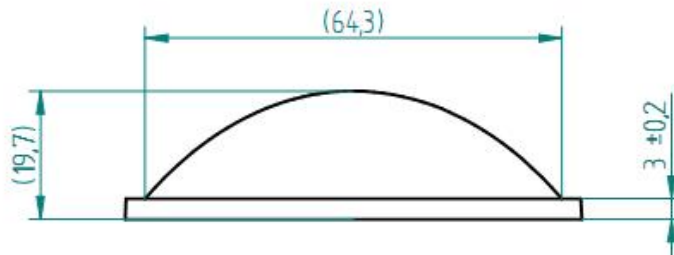
FWHM C0 [°]	10
FWHM C90 [°]	10

* The ratio between luminous flux on the projection wall (3x3 m at 1 m) and luminous flux of LED

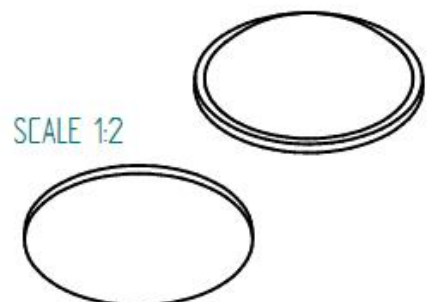
[BACK TO LIST](#)

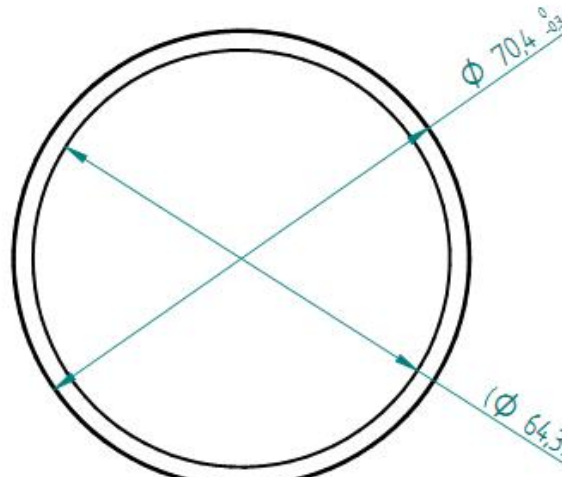
A196 7120

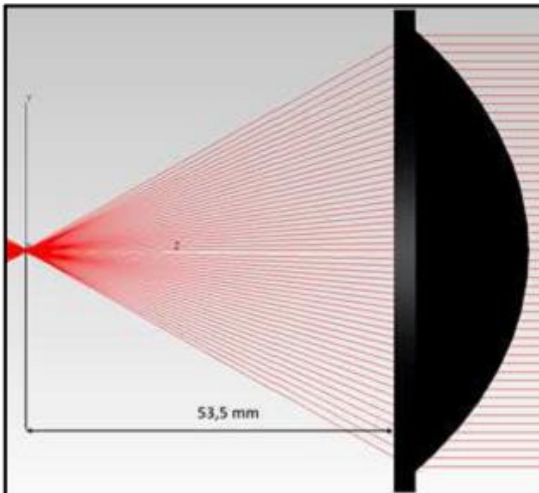
REVISION HISTORY			
REV	DESCRIPTION	DATE	APPROVED



SCALE 1:2








Glass: LIBA or alternative (nd = 1,521)

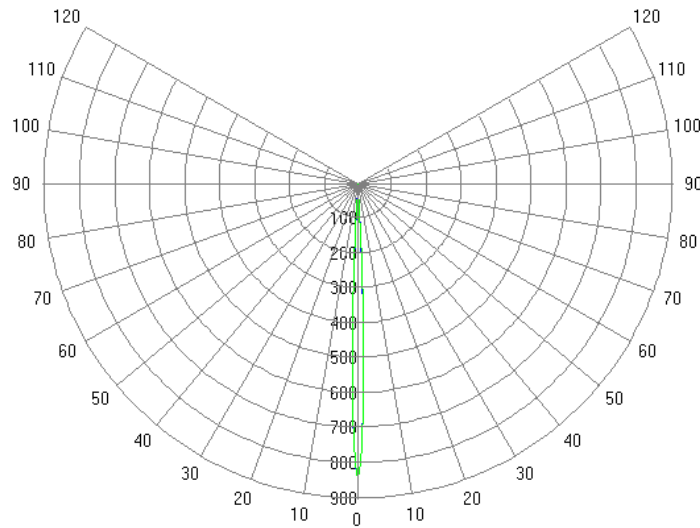
	NAME	DATE
DRAWN	krutsky	05/15/20
CHECKED		
ENG APPR		
MGR APPR		

 EcoGlass, a.s.					
A196 7120					
<table style="width: 100%; border-collapse: collapse;"> <tr> <td style="width: 30%;">UNLESS OTHERWISE SPECIFIED DIMENSIONS ARE IN MILLIMETERS</td> <td style="width: 30%;">FILE NAME: A196_small.dft</td> <td style="width: 20%;">SCALE</td> <td style="width: 20%;">WEIGHT: 103 g</td> <td style="width: 10%;">SHEET 1 OF 1</td> </tr> </table>	UNLESS OTHERWISE SPECIFIED DIMENSIONS ARE IN MILLIMETERS	FILE NAME: A196_small.dft	SCALE	WEIGHT: 103 g	SHEET 1 OF 1
UNLESS OTHERWISE SPECIFIED DIMENSIONS ARE IN MILLIMETERS	FILE NAME: A196_small.dft	SCALE	WEIGHT: 103 g	SHEET 1 OF 1	

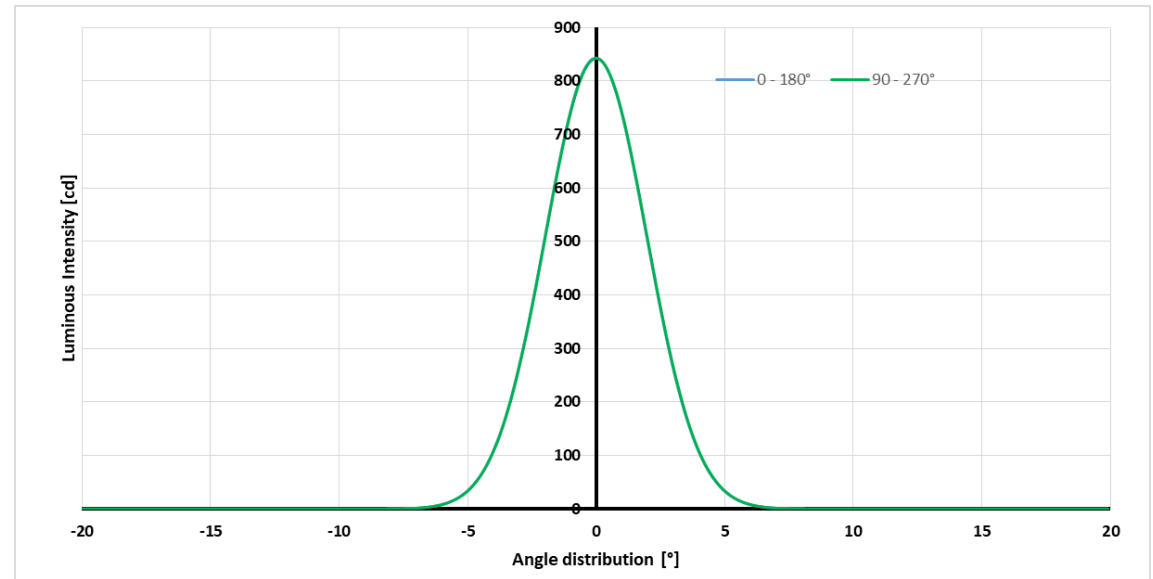
BACK TO LIST

A196 7120 – simulation results

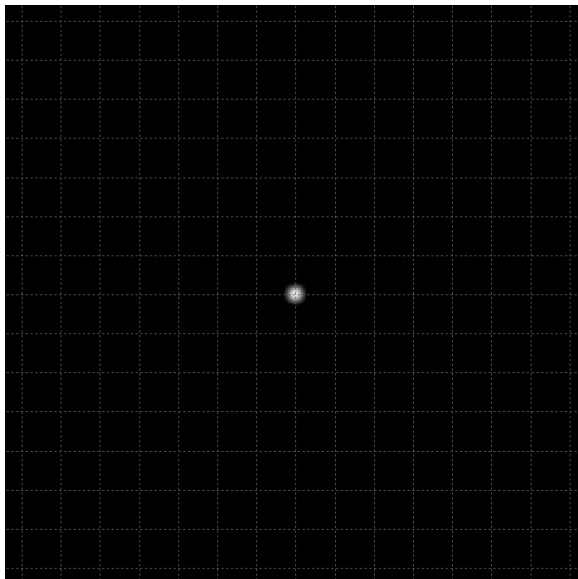
Polar Candela Distribution Plot



Rectangular Candela Distribution Plot



Projection wall 3x3 m at 1m



LED used for simulation	Cree XP-G
Luminous flux of LED [lm]	36

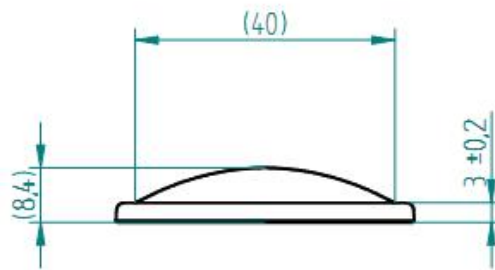
FWHM C0 [°]	5
FWHM C90 [°]	5

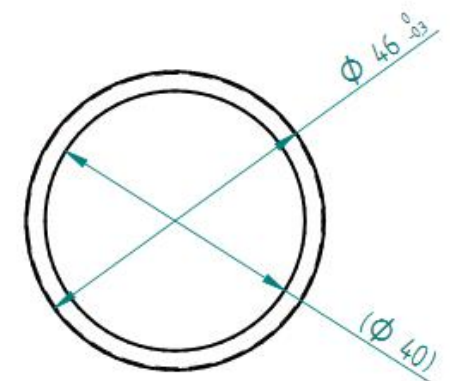
* The ratio between luminous flux on the projection wall (3x3 m at 1 m) and luminous flux of LED

[BACK TO LIST](#)


A373 4508

REVISION HISTORY			
REV	DESCRIPTION	DATE	APPROVED

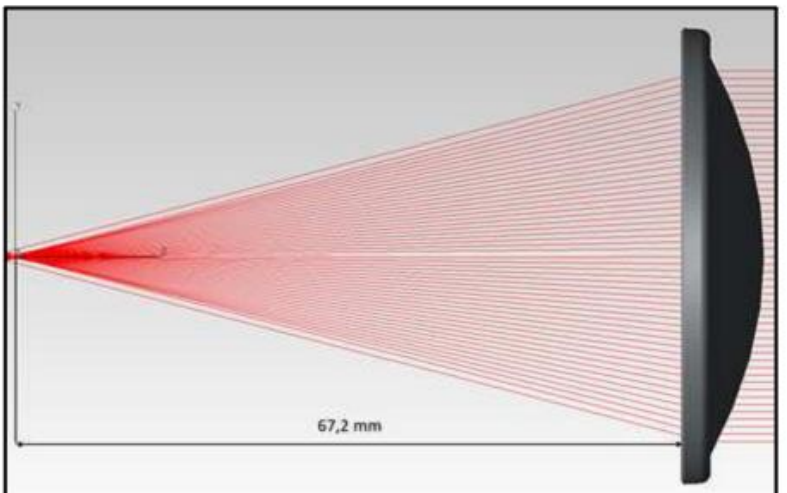





SCALE 1:2



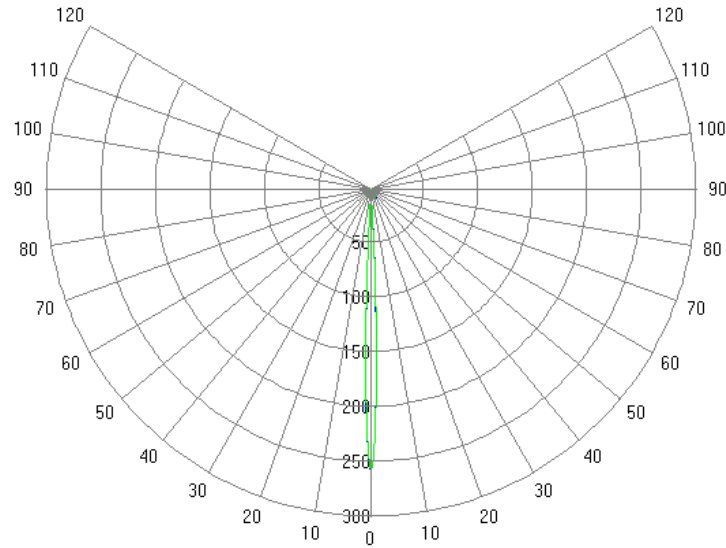
Glass: LIBA or alternative (nd = 1,521)



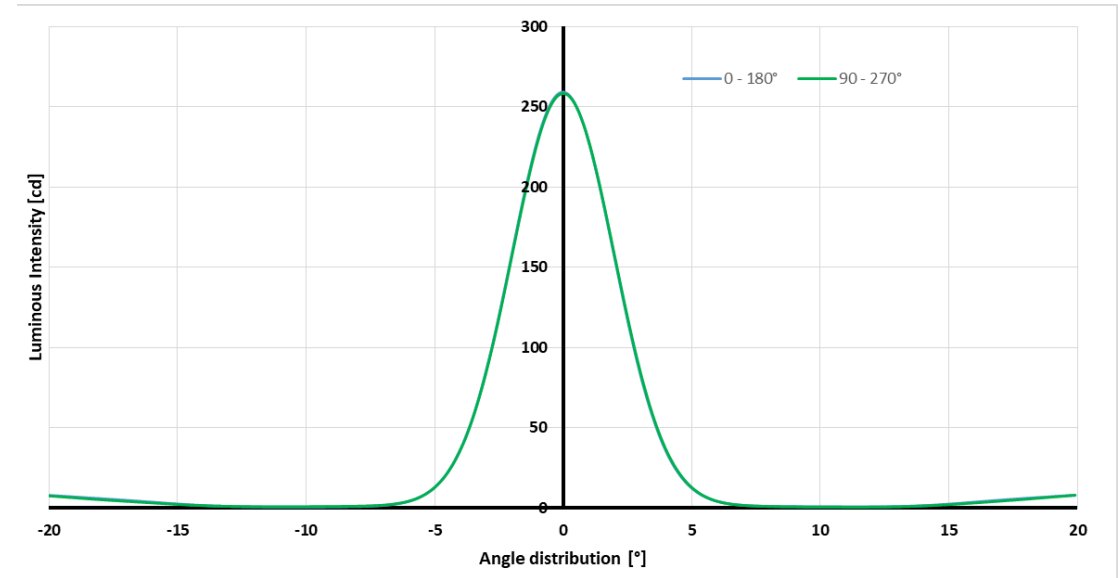
DRAWN	NAME	DATE	 EcoGlass, a.s.															
	krutsky	05/15/20																
CHECKED																		
ENG APPR																		
MGR APPR			A373 4508															
UNLESS OTHERWISE SPECIFIED DIMENSIONS ARE IN MILLIMETERS			<table border="1" style="width: 100%; border-collapse: collapse;"> <tr> <td style="width: 10%;">SIZE</td> <td style="width: 10%;">DWG NO</td> <td style="width: 10%;">REV</td> </tr> <tr> <td>A4</td> <td> </td> <td> </td> </tr> <tr> <td colspan="3" style="font-size: x-small;">FILE NAME: A373_small.dwg</td> </tr> <tr> <td>SCALE</td> <td>WEIGHT</td> <td>SHEET 1 OF 1</td> </tr> <tr> <td> </td> <td>21 g</td> <td> </td> </tr> </table>	SIZE	DWG NO	REV	A4			FILE NAME: A373_small.dwg			SCALE	WEIGHT	SHEET 1 OF 1		21 g	
SIZE	DWG NO	REV																
A4																		
FILE NAME: A373_small.dwg																		
SCALE	WEIGHT	SHEET 1 OF 1																
	21 g																	

A373 4508– simulation results

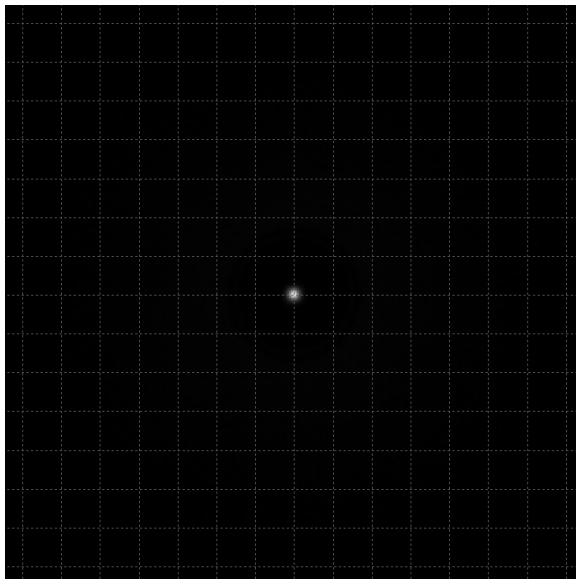
Polar Candela Distribution Plot



Rectangular Candela Distribution Plot



Projection wall 3x3 m at 1m



LED used for simulation	Cree XP-G
Luminous flux of LED [lm]	36

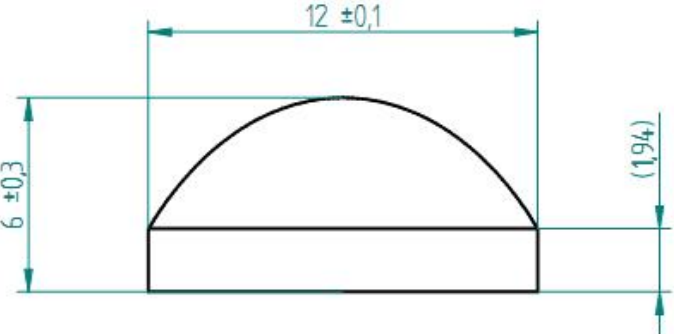
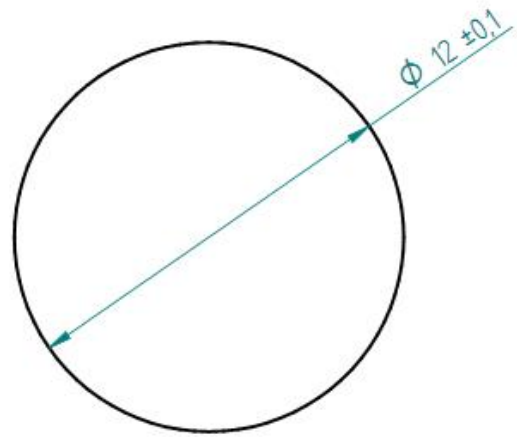
FWHM C0 [°]	5
FWHM C90 [°]	5

* The ratio between luminous flux on the projection wall (3x3 m at 1 m) and luminous flux of LED

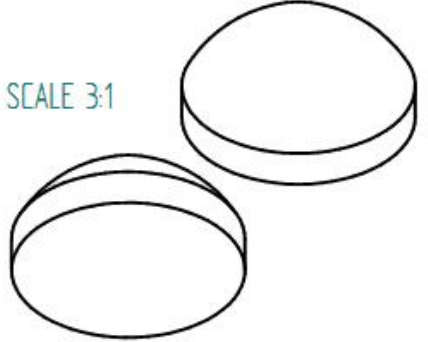
[BACK TO LIST](#)

A413 1206

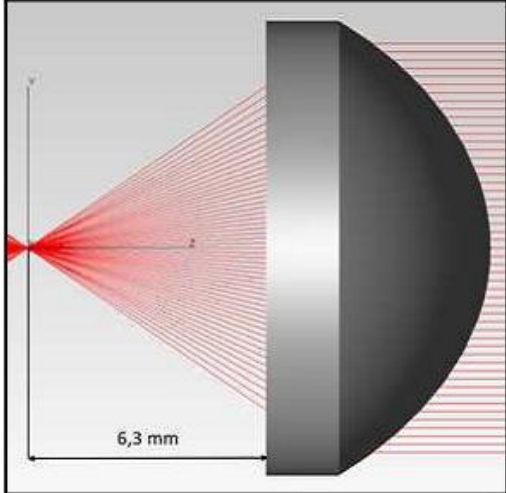
REVISION HISTORY			
REV	DESCRIPTION	DATE	APPROVED





SCALE 3:1



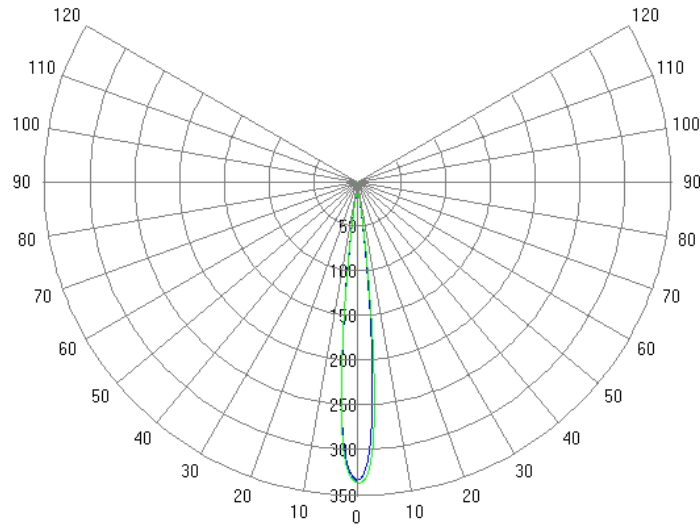
Glass: LIBA or alternative ($n_d = 1,521$)



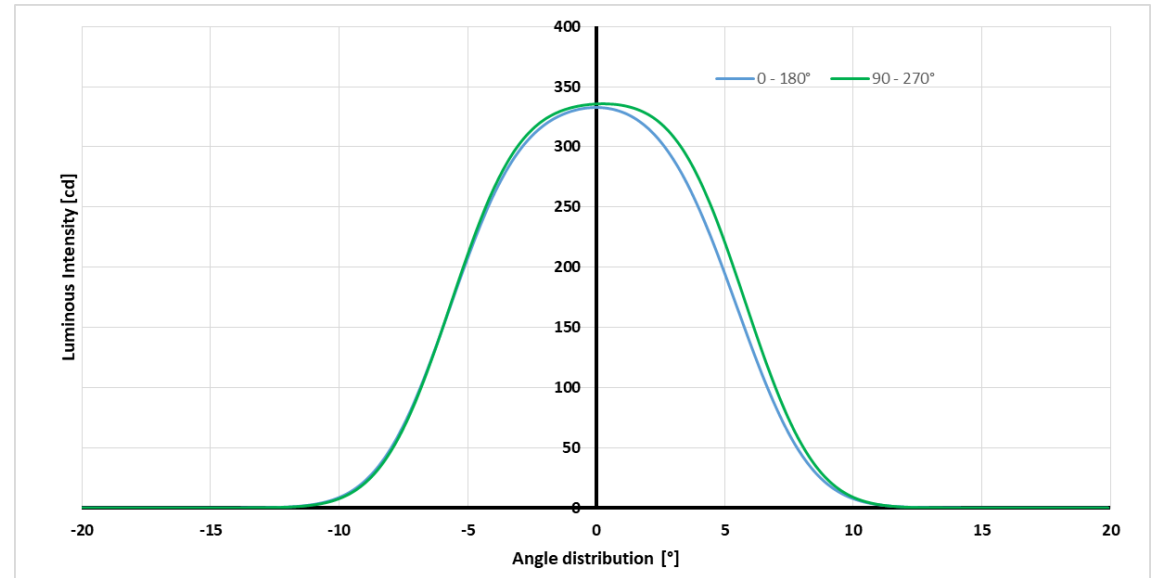
NAME	DATE	 EcoGlass, a.s.	A413 1206
DRAWN	krutsky 05/15/20		
CHECKED			
ENG APPR			
MGR APPR			
<small>UNLESS OTHERWISE SPECIFIED DIMENSIONS ARE IN MILLIMETERS</small>		<small>FILE NAME: A413_small.off</small>	<small>SCALE: 3:1</small>
<small>SIZE</small>	<small>SWG NO</small>	<small>REV</small>	<small>SHEET 1 OF 1</small>
A4			
<small>WEIGHT</small>		1 g	

A413 1206 – simulation results

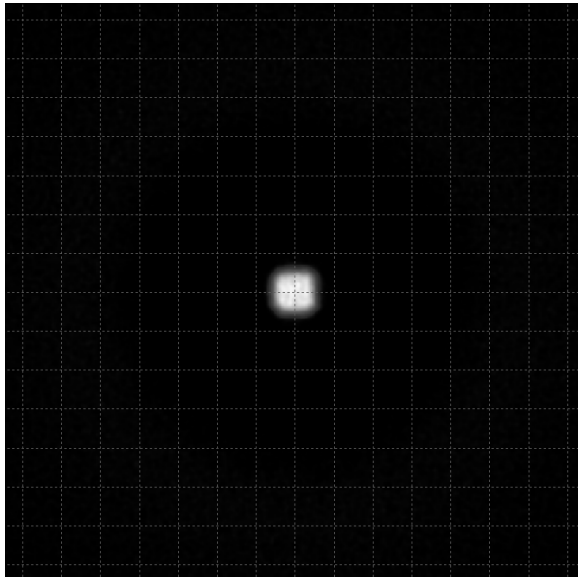
Polar Candela Distribution Plot



Rectangular Candela Distribution Plot



Projection wall 3x3 m at 1m



LED used for simulation	Cree XP-G
Luminous flux of LED [lm]	36

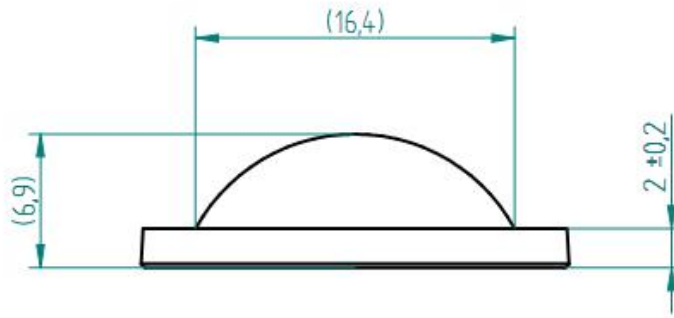
FWHM C0 [°]	6
FWHM C90 [°]	6

* The ratio between luminous flux on the projection wall (3x3 m at 1 m) and luminous flux of LED

[BACK TO LIST](#)

A501 2207

REVISION HISTORY			
REV	DESCRIPTION	DATE	APPROVED

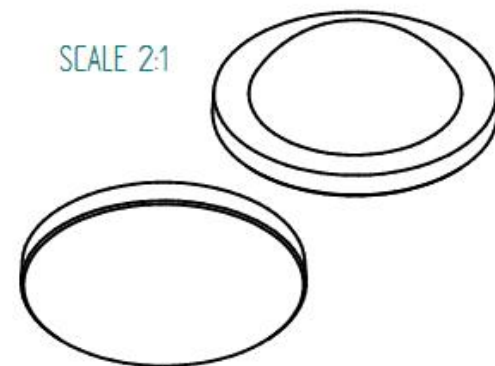


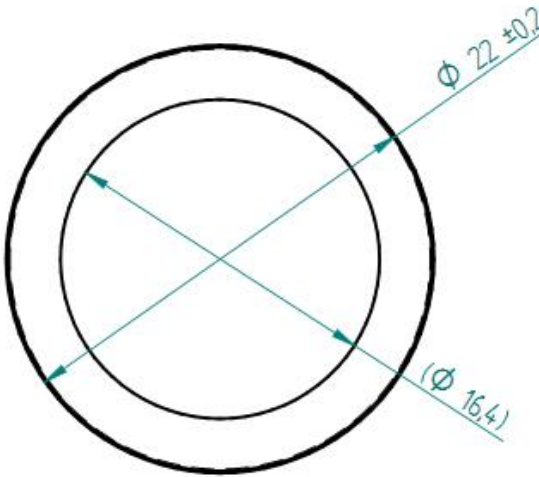
(16,4)

(6,9)

$2 \pm 0,2$

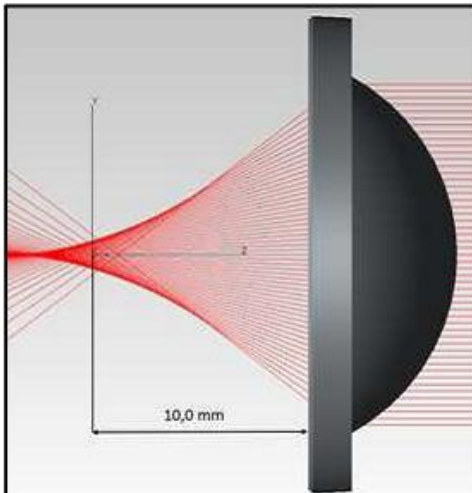
SCALE 2:1






$\Phi 22 \pm 0,2$

$(\Phi 16,4)$



10,0 mm

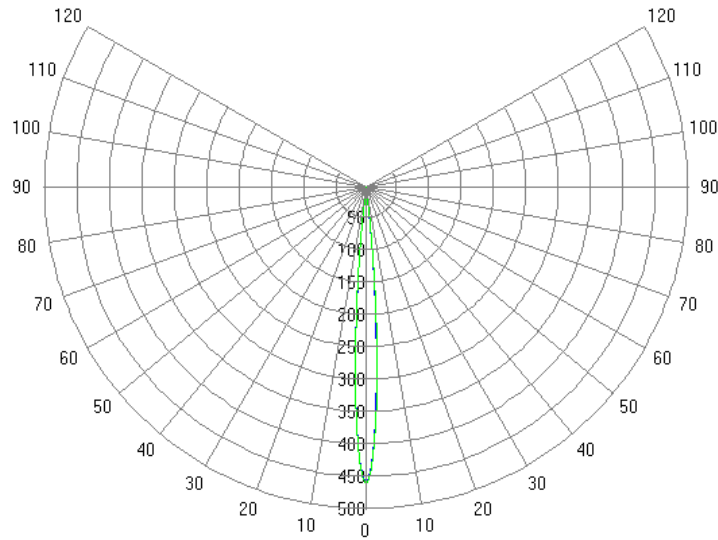
Glass: LIBA or alternative ($n_d = 1,521$)

NAME	DATE	 EcoGlass, a.s.
DRAWN	krutsky 05/15/20	
CHECKED		
ENG APPR		
MER APPR		A501 2207
UNLESS OTHERWISE SPECIFIED DIMENSIONS ARE IN MILLIMETERS		SIZE: A4 FILE NAME: A501_krutLoff SCALE: WEDHT: 3 g SHEET 1 OF 1

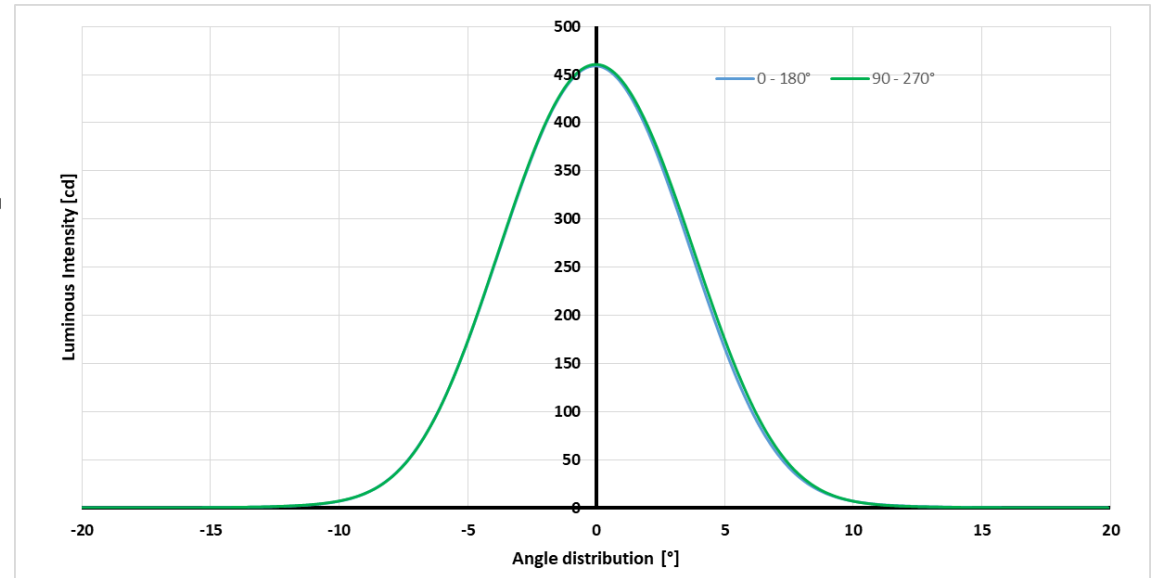
BACK TO LIST

A501 2207 – simulation results

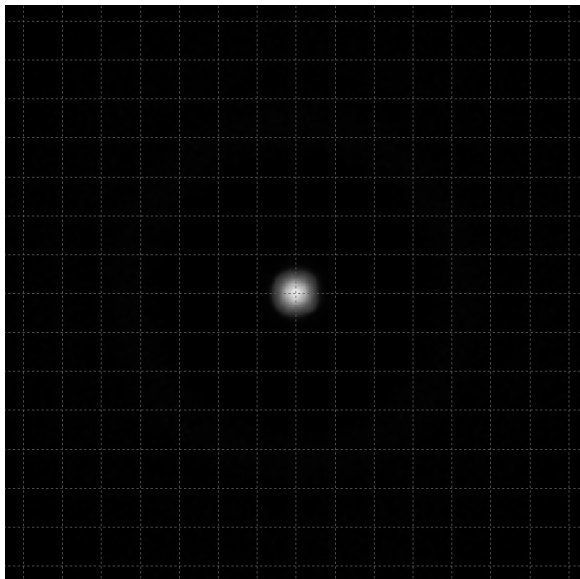
Polar Candela Distribution Plot



Rectangular Candela Distribution Plot



Projection wall 5x5 m at 1m



LED used for simulation	Cree XP-G
Luminous flux of LED [lm]	36

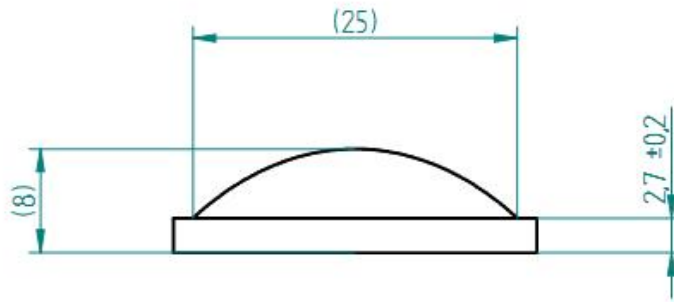
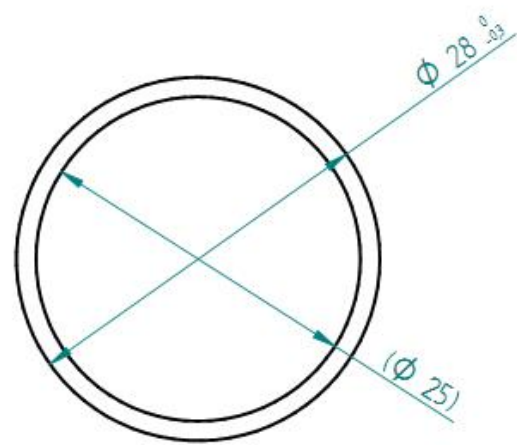
FWHM C0 [°]	8,5
FWHM C90 [°]	8,5

* The ratio between luminous flux on the projection wall (3x3 m at 1 m) and luminous flux of LED

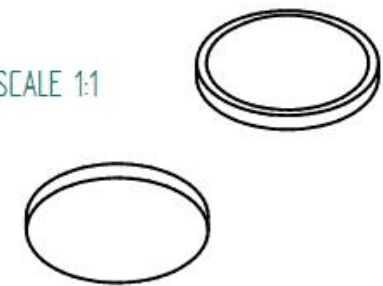
[BACK TO LIST](#)

A581 2808

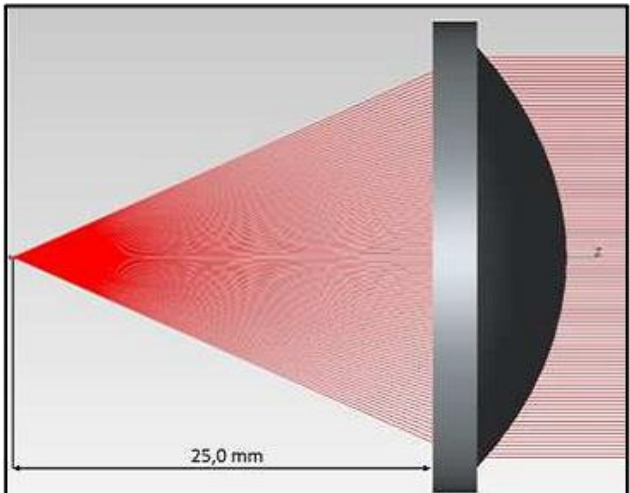
REVISION HISTORY			
REV	DESCRIPTION	DATE	APPROVED


SCALE 1:1



Glass: LIBA or alternative (nd = 1,521)



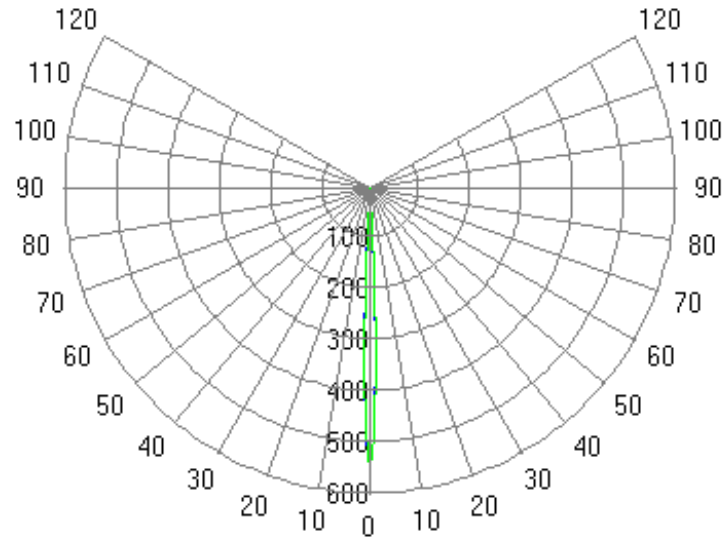
25,0 mm

NAME	DATE	 EcoGlass, a.s.															
DRAWN	krutsky 05/29/20																
CHECKED																	
ENG APPR																	
MER APPR		A581 2808															
UNLESS OTHERWISE SPECIFIED DIMENSIONS ARE IN MILLIMETERS		<table border="1" style="width: 100%; border-collapse: collapse;"> <tr> <td style="width: 10%;">SIZE</td> <td style="width: 10%;">DWG NO</td> <td style="width: 10%;">REV</td> </tr> <tr> <td>A4</td> <td> </td> <td> </td> </tr> <tr> <td colspan="3" style="font-size: x-small;">FILE NAME: A581_small.dwt</td> </tr> <tr> <td>SCALE</td> <td>WEIGHT</td> <td>SHEET 1 OF 1</td> </tr> <tr> <td> </td> <td>8 g</td> <td> </td> </tr> </table>	SIZE	DWG NO	REV	A4			FILE NAME: A581_small.dwt			SCALE	WEIGHT	SHEET 1 OF 1		8 g	
SIZE	DWG NO	REV															
A4																	
FILE NAME: A581_small.dwt																	
SCALE	WEIGHT	SHEET 1 OF 1															
	8 g																

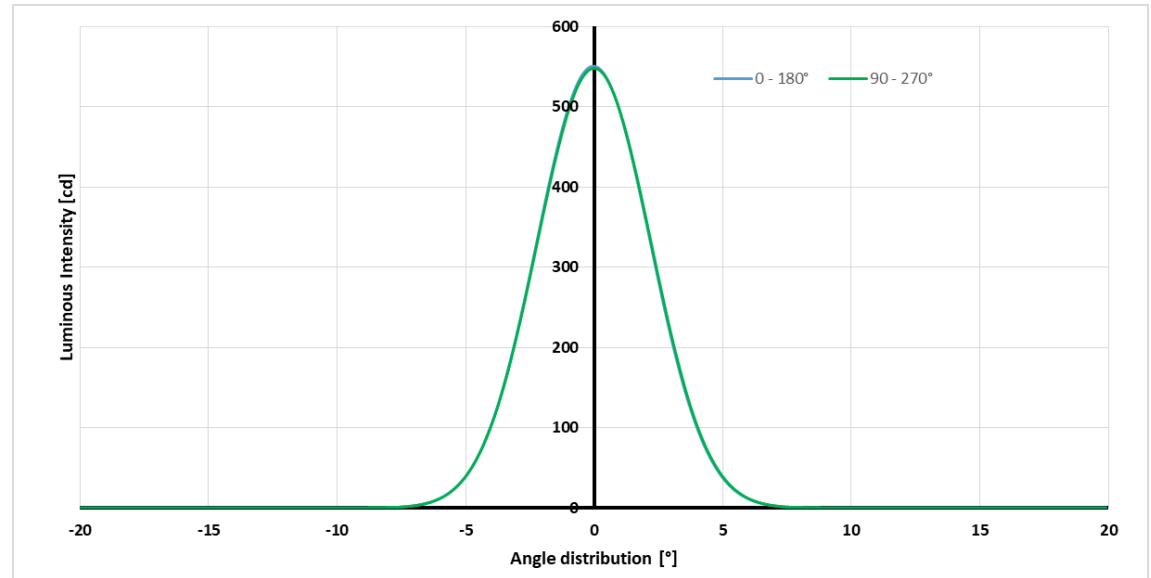
BACK TO LIST

A581 2808 – simulation results

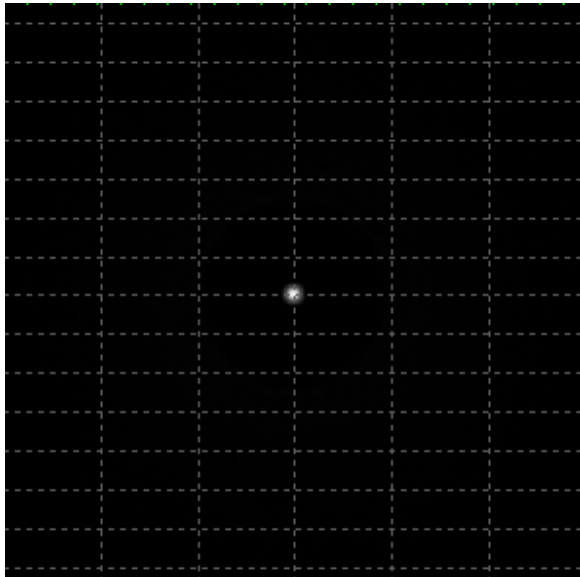
Polar Candela Distribution Plot



Rectangular Candela Distribution Plot



Projection wall 5x5 m at 1m



LED used for simulation	Cree XP-G
Luminous flux of LED [lm]	36

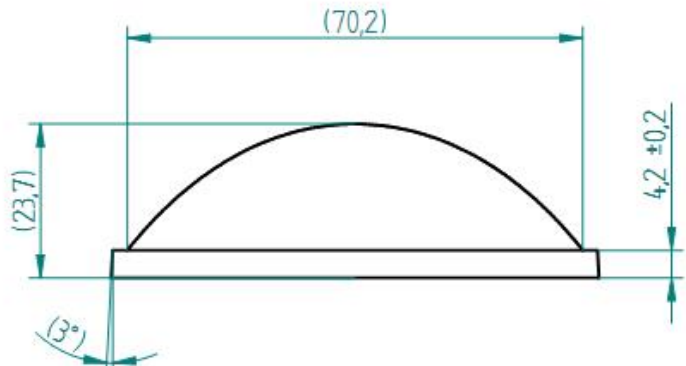
FWHM C0 [°]	5
FWHM C90 [°]	5

* The ratio between luminous flux on the projection wall (3x3 m at 1 m) and luminous flux of LED

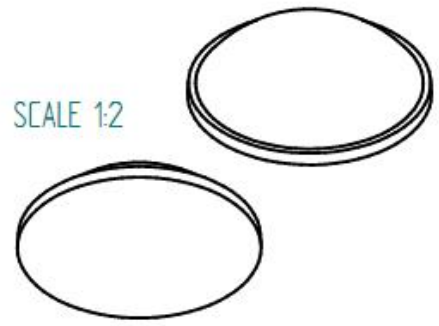
[BACK TO LIST](#)

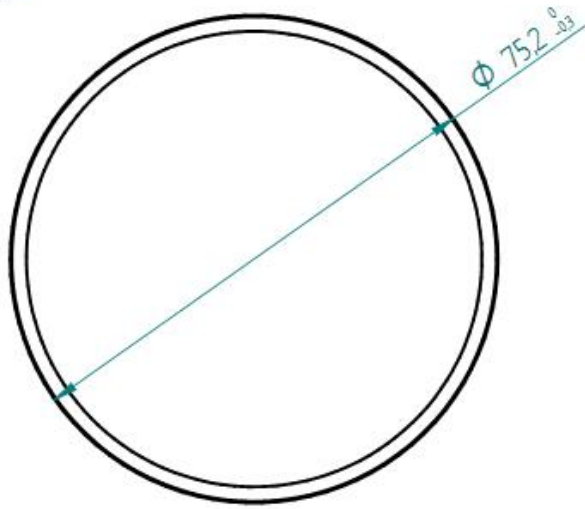
A582 7522

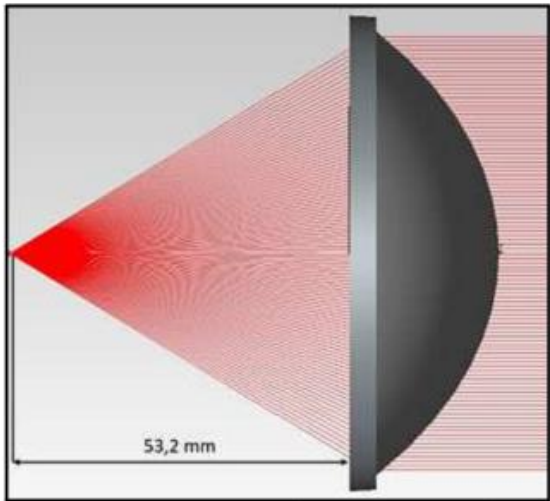
REVISION HISTORY			
REV	DESCRIPTION	DATE	APPROVED




SCALE 1:2







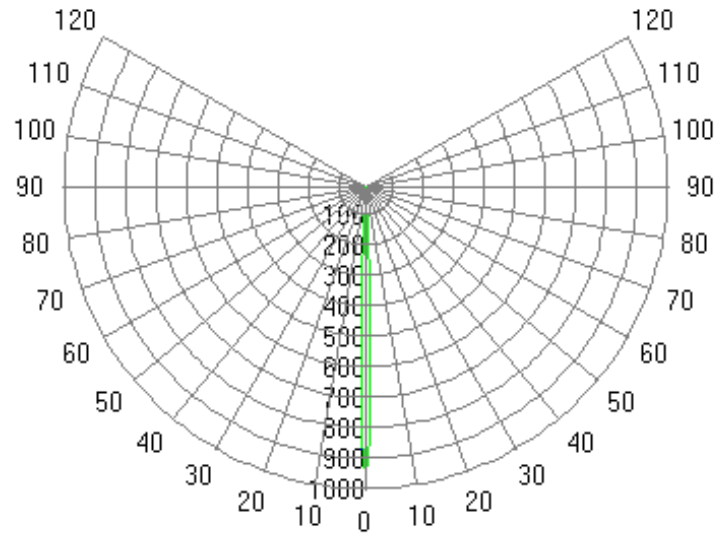
Glass: LIBA or alternative (nd = 1,521)

NAME	DATE	 EcoGlass, a.s.
DRAWN	05/29/20	
CHECKED		
ENG APPR		
MER APPR		A582 7522
UNLESS OTHERWISE SPECIFIED DIMENSIONS ARE IN MILLIMETERS		SIZE: A4 FILE NAME: A582_small.dxf
SCALE	WEIGHT: 150 g	SHEET 1 OF 1

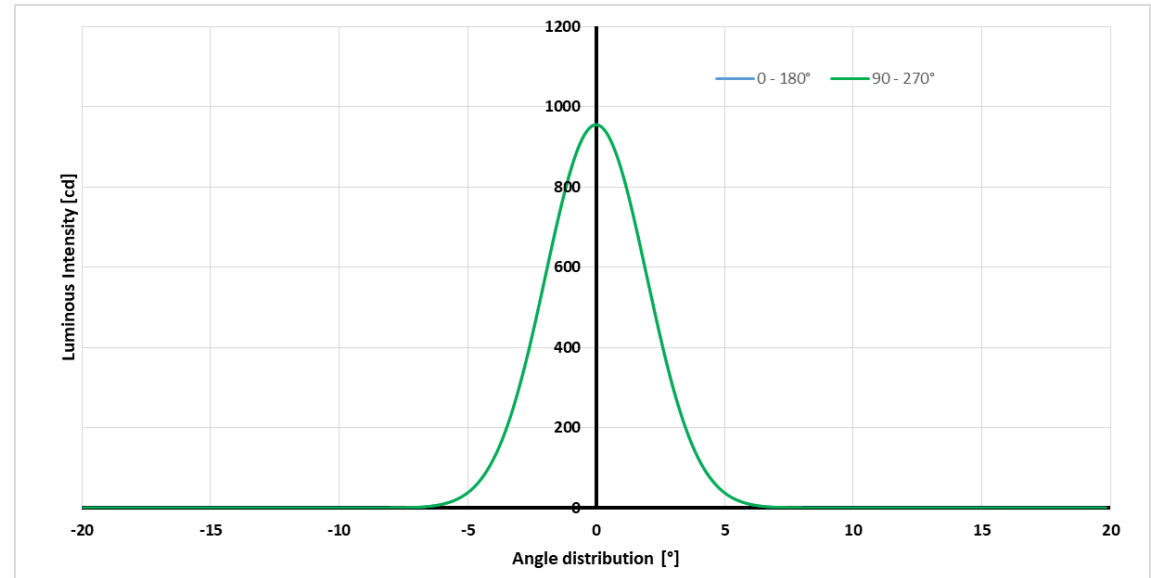
[BACK TO LIST](#)

A582 7522 – simulation results

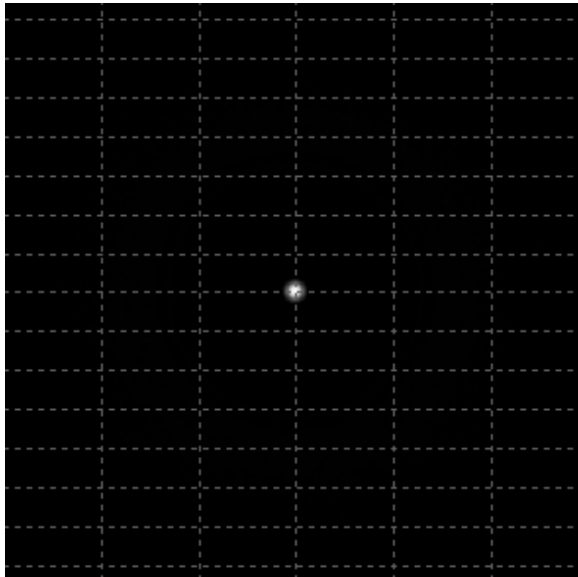
Polar Candela Distribution Plot



Rectangular Candela Distribution Plot



Projection wall 5x5 m at 1m



LED used for simulation	Cree XP-G
Luminous flux of LED [lm]	36

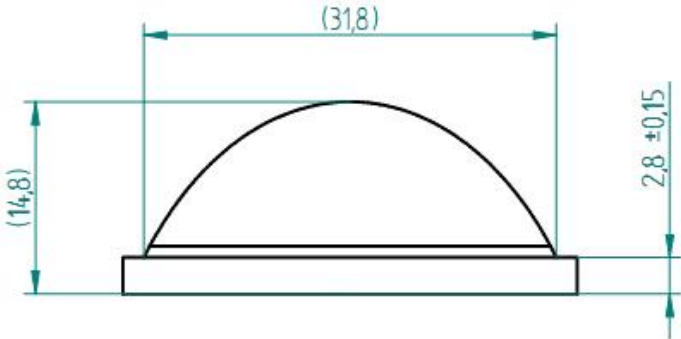
FWHM C0 [°]	5
FWHM C90 [°]	5

* The ratio between luminous flux on the projection wall (3x3 m at 1 m) and luminous flux of LED

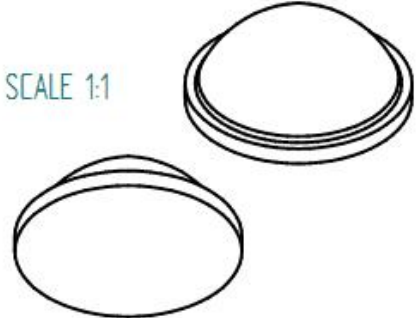
[BACK TO LIST](#)

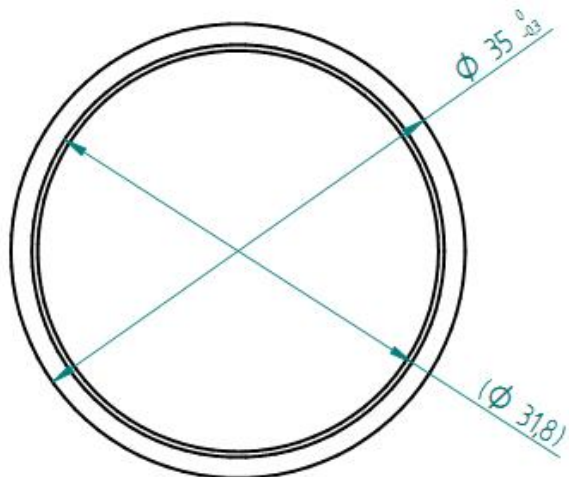
A837 3515

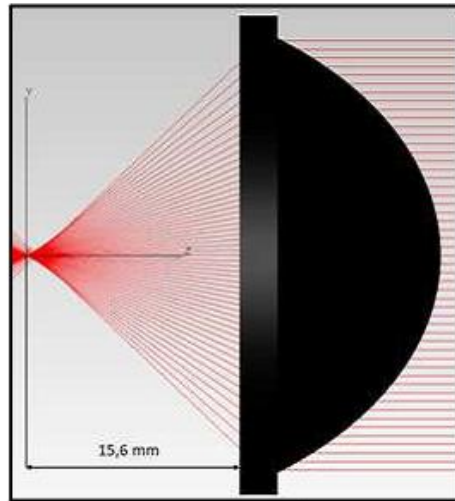
REVISION HISTORY			
REV	DESCRIPTION	DATE	APPROVED




SCALE 1:1







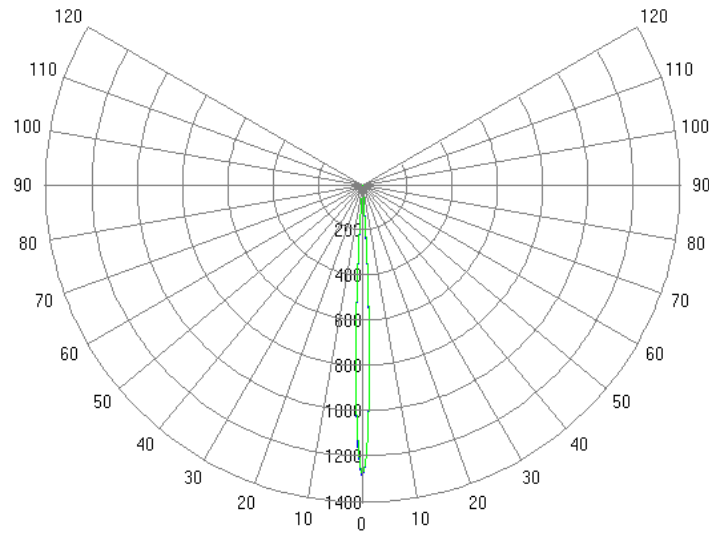
Glass: LIBA or alternative (nd = 1,521)

NAME	DATE	 EcoGlass, a.s.
DRAWN	krutsky 05/28/20	
CHECKED		
ENG APPR		
MGR APPR		A837 3515
UNLESS OTHERWISE SPECIFIED DIMENSIONS ARE IN MILLIMETERS		SIZE A4 FILE NAME A837_small.dwg SCALE WEIGHT 20 g SHEET 1 OF 1

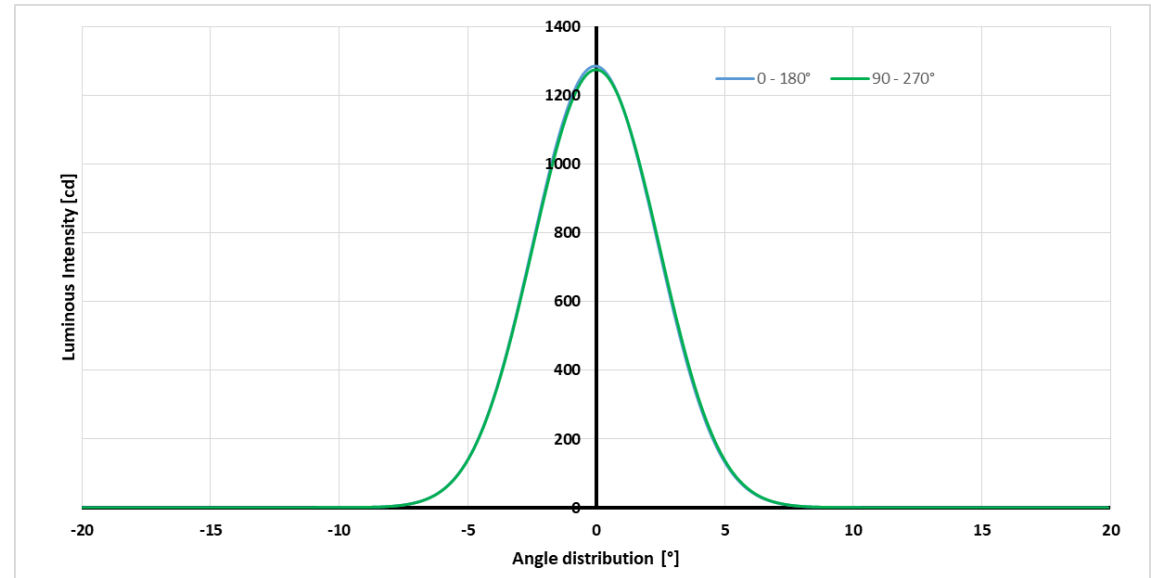
[BACK TO LIST](#)

A837 3515 – simulation results

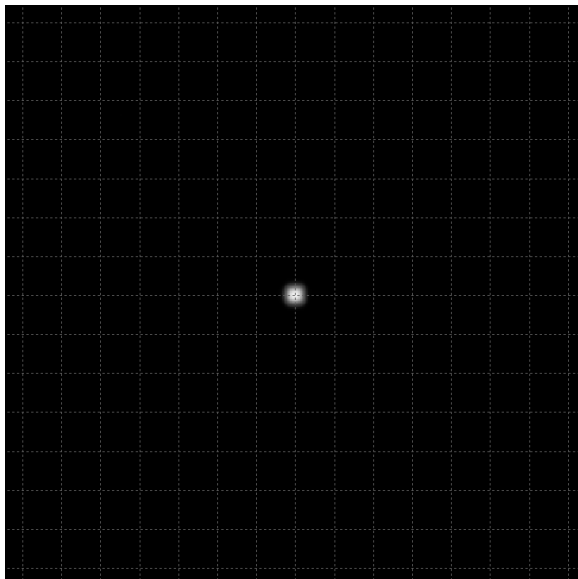
Polar Candela Distribution Plot



Rectangular Candela Distribution Plot



Projection wall 5x5 m at 1m



LED used for simulation	Cree XP-G
Luminous flux of LED [lm]	36

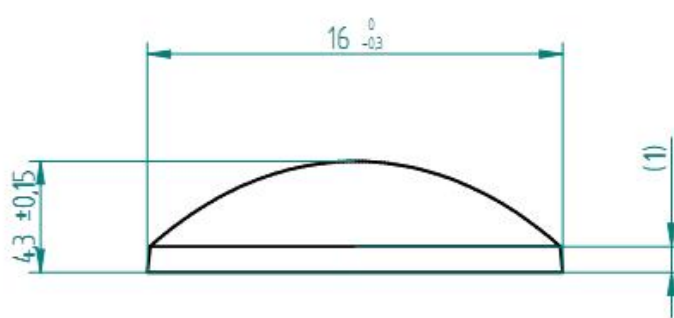
FWHM C0 [°]	6
FWHM C90 [°]	6

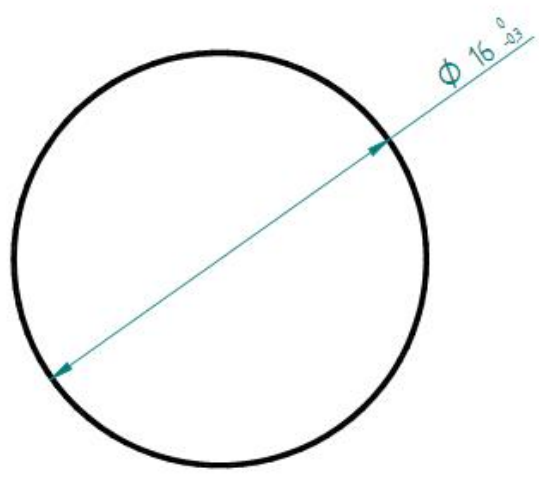
* The ratio between luminous flux on the projection wall (3x3 m at 1 m) and luminous flux of LED

[BACK TO LIST](#)

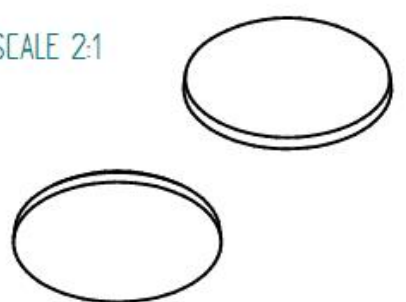
A838 1605

REVISION HISTORY			
REV	DESCRIPTION	DATE	APPROVED

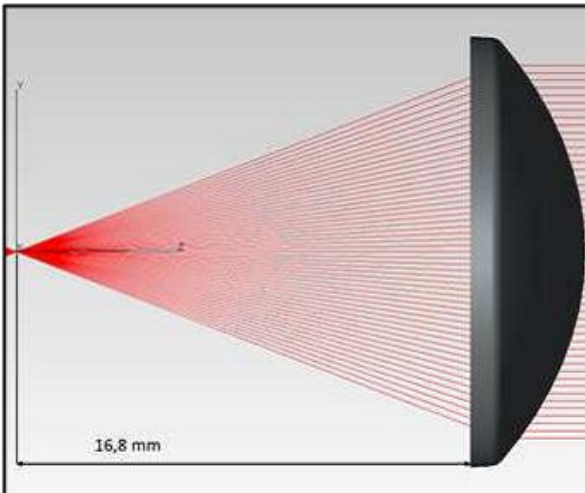





SCALE 2:1



Glass: LIBA or alternative (nd = 1,521)

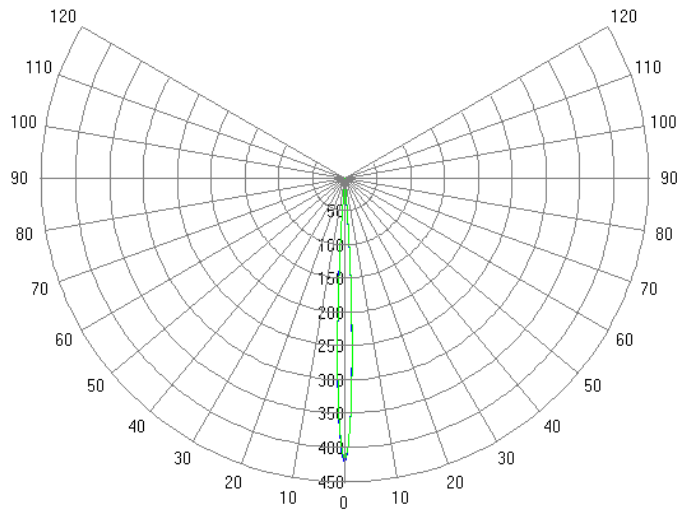


DRAWN	NAME	DATE	 EcoGlass, a.s. <h2 style="margin: 0;">A838 1605</h2>															
CHECKED	krutsky	05/28/20																
ENG APPR																		
MGR APPR																		
UNLESS OTHERWISE SPECIFIED DIMENSIONS ARE IN MILLIMETERS			<table style="width: 100%; border-collapse: collapse;"> <tr> <td style="width: 10%;">SIZE</td> <td style="width: 40%;">DWG NO</td> <td style="width: 50%;">REV</td> </tr> <tr> <td>A4</td> <td> </td> <td> </td> </tr> <tr> <td colspan="3" style="font-size: x-small;">FILE NAME: A838_small.dwg</td> </tr> <tr> <td>SCALE</td> <td>WEIGHT</td> <td>SHEET 1 OF 1</td> </tr> <tr> <td> </td> <td>1 g</td> <td> </td> </tr> </table>	SIZE	DWG NO	REV	A4			FILE NAME: A838_small.dwg			SCALE	WEIGHT	SHEET 1 OF 1		1 g	
SIZE	DWG NO	REV																
A4																		
FILE NAME: A838_small.dwg																		
SCALE	WEIGHT	SHEET 1 OF 1																
	1 g																	

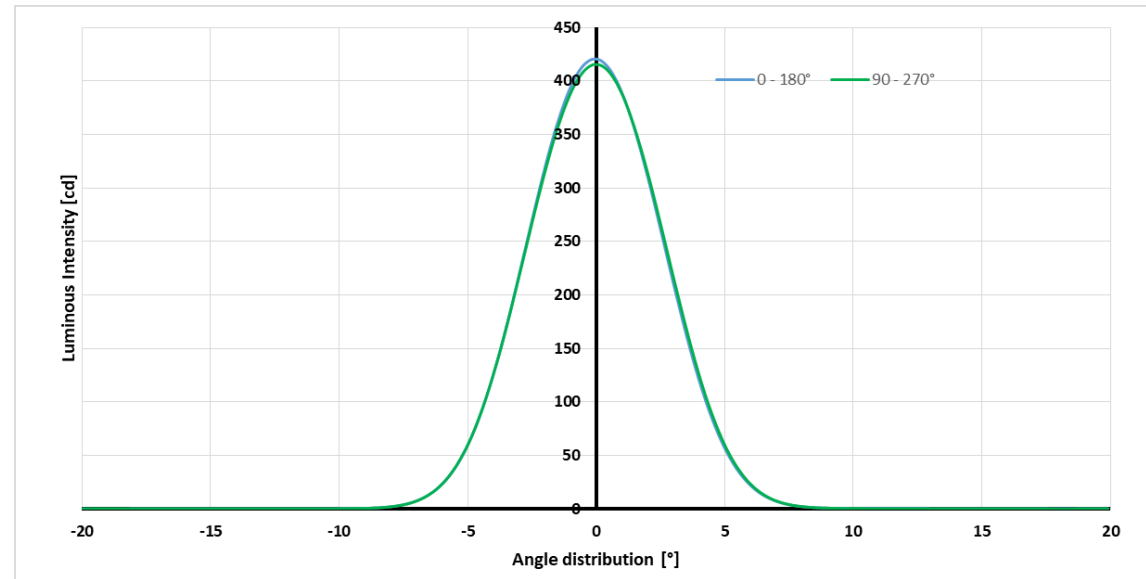
BACK TO LIST

A838 1605 – simulation results

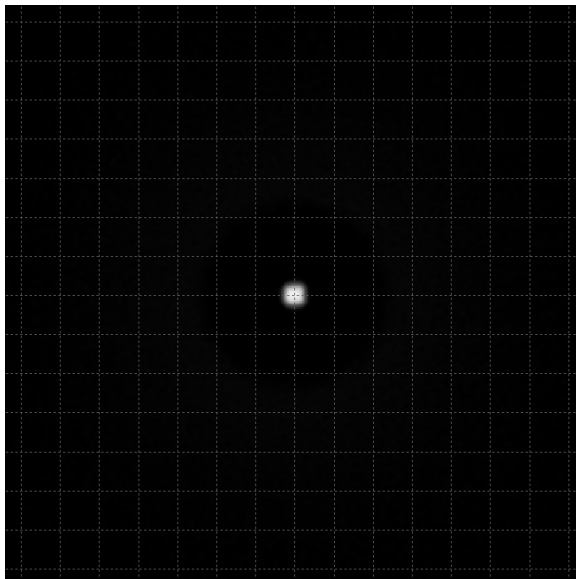
Polar Candela Distribution Plot



Rectangular Candela Distribution Plot



Projection wall 5x5 m at 1m



LED used for simulation	Cree XP-G
Luminous flux of LED [lm]	36

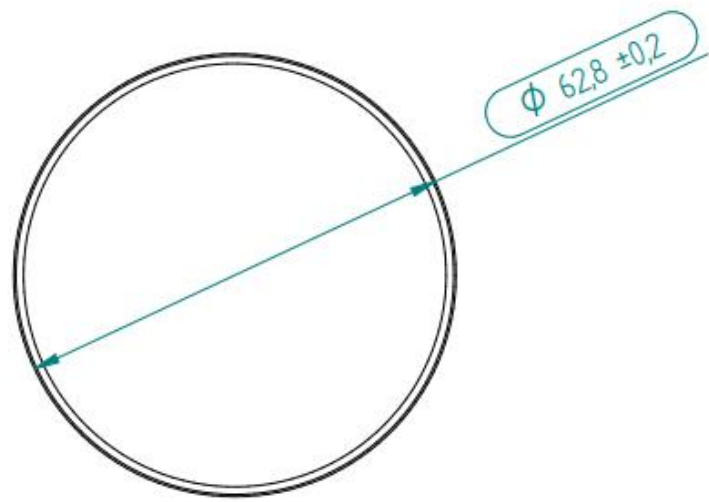
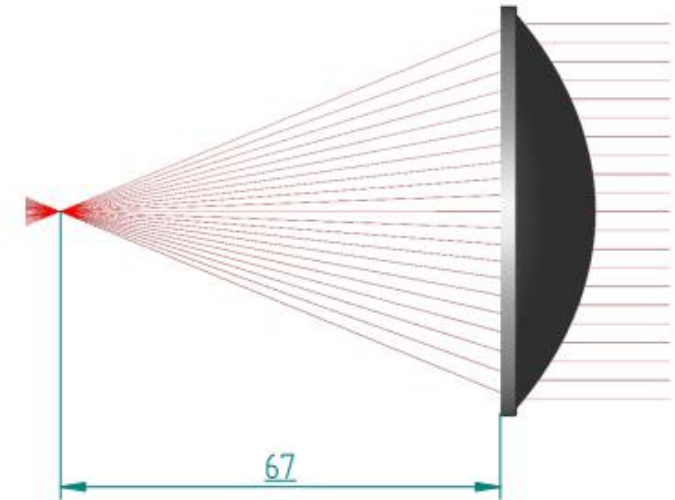
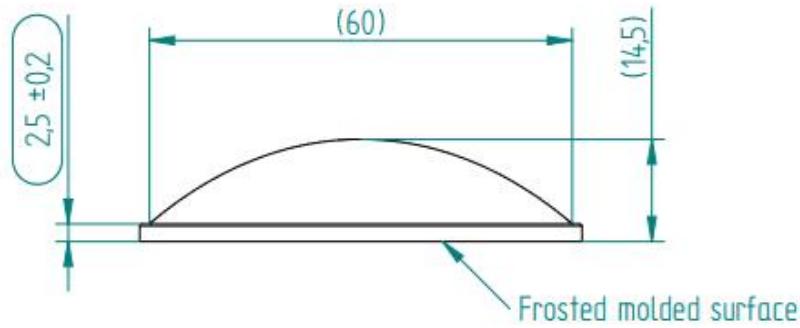
FWHM C0 [°]	6
FWHM C90 [°]	6

* The ratio between luminous flux on the projection wall (3x3 m at 1 m) and luminous flux of LED


[BACK TO LIST](#)

A850 6315

REVISION HISTORY			
REV	DESCRIPTION	DATE	APPROVED

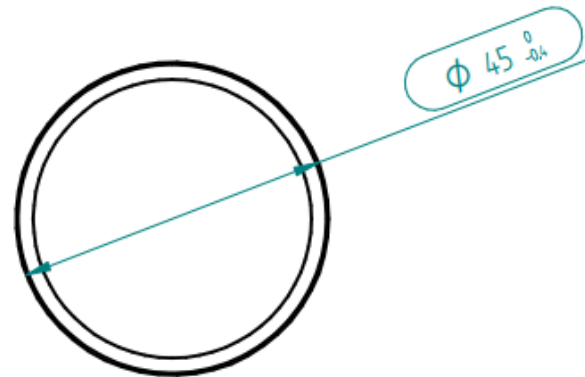
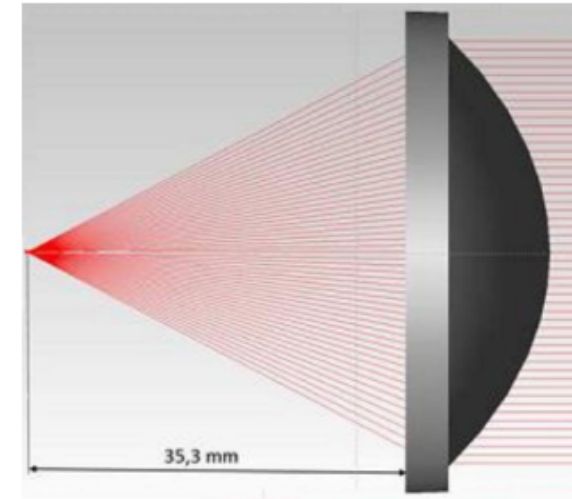
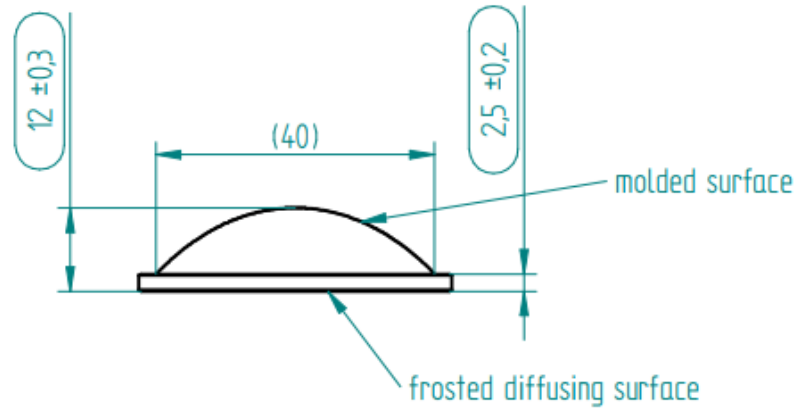


material : GLASS nd = 1,520


	NAME	DATE	 EcoGlass, a.s.	
DRAWN	jkocarek	09/14/23	TITLE	
CHECKED			Aspheric lens structured flat side	
ENG APPR			SIZE	DWG NO
MGR APPR			A4	A850 6315
UNLESS OTHERWISE SPECIFIED DIMENSIONS ARE IN MILLIMETERS ANGLES ±X.X° 2 PL ±X.XX 3 PL ±X.XXX			FILE NAME:	REV
			A850 6315.dft	
SCALE:		WEIGHT:		

[BACK TO LIST](#)

REVISION HISTORY			
REV	DESCRIPTION	DATE	APPROVED



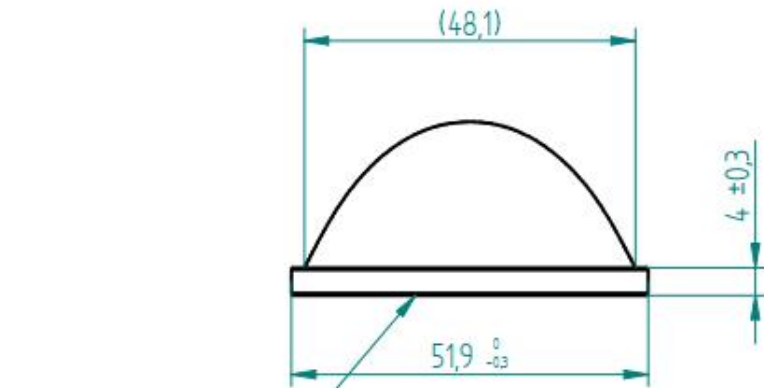
material : GLASS $n_d=1,520$
 mass: about 30g

	NAME	DATE	 EcoGlass, a.s.	
DRAWN	jkocarek	03/13/23	TITLE	
CHECKED			Aspheric lens D45BF35 frosted	
ENG APPR			SIZE	DWG NO
MGR APPR			A4	A904 4512
UNLESS OTHERWISE SPECIFIED DIMENSIONS ARE IN MILLIMETERS ANGLES $\pm X.X^\circ$ 2 PL $\pm X.XX$ 3 PL $\pm X.XXX$			REV	AP01
			FILE NAME:	A904_4512.dft
			SCALE:	WEIGHT:

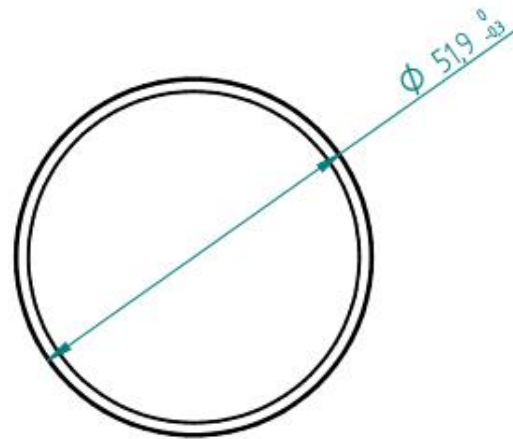
BACK TO LIST

A912 5225

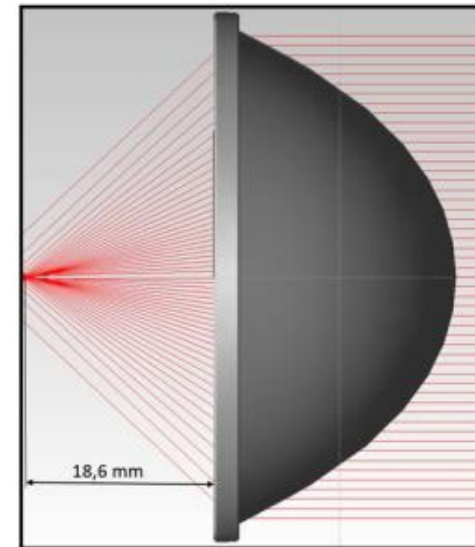
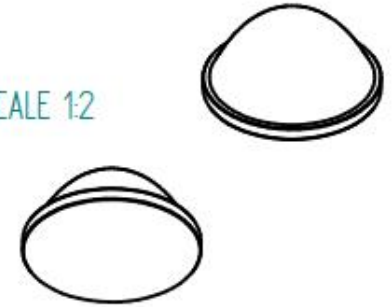
REVISION HISTORY			
REV	DESCRIPTION	DATE	APPROVED



frosted surface



SCALE 1:2

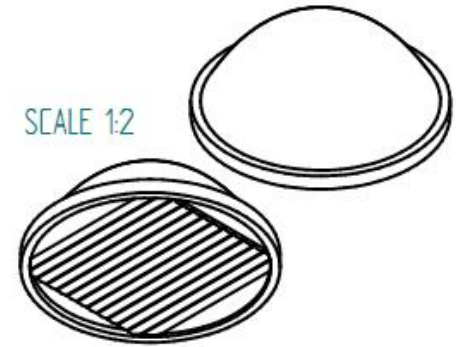
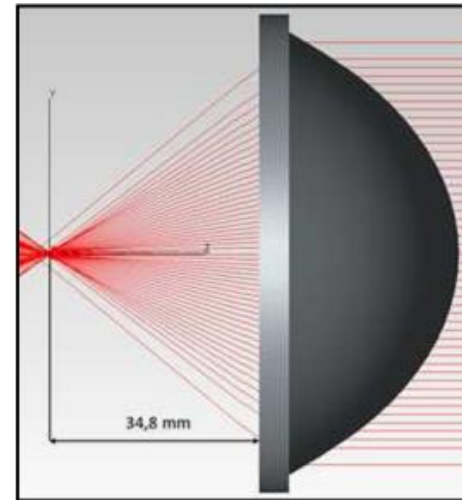
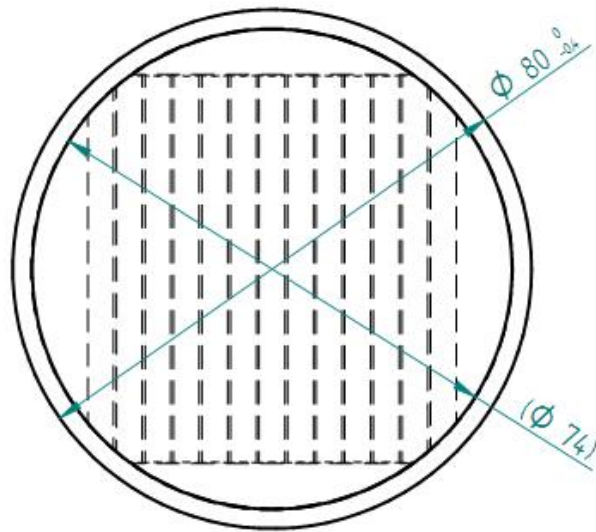
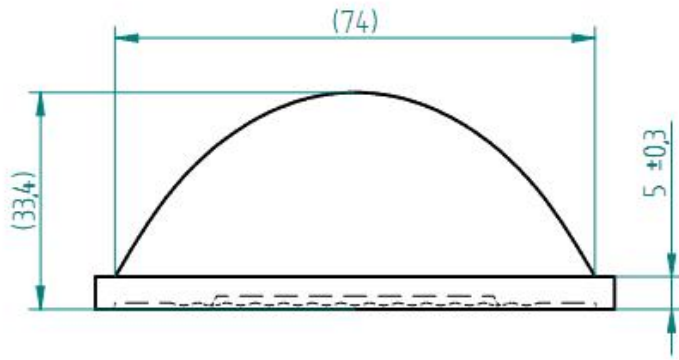


Glass: LIBA or alternative (nd = 1,521)

	NAME	DATE	 EcoGlass, a.s.
DRAWN	krutsky	07/15/23	
CHECKED			
ENG APPR			
TITLE			A912 5225
MGR APPR			
UNLESS OTHERWISE SPECIFIED DIMENSIONS ARE IN MILLIMETERS			SIZE
FILE NAME: A9125225.dft			ENG NO
SCALE:			REV
WEIGHT:			

BACK TO LIST

A650 8034



SCALE 1:2

REVISION HISTORY			
REV	DESCRIPTION	DATE	APPROVED

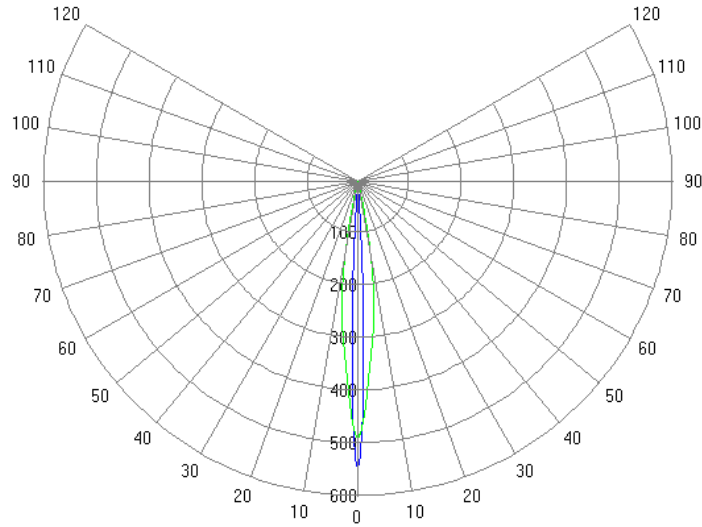
Glass: LIBA or alternative ($n_d = 1,521$)

NAME	DATE	 EcoGlass, a.s.
DRAWN	05/29/20	
CHECKED		
ENG APPR		
MGR APPR		A650 8034
UNLESS OTHERWISE SPECIFIED DIMENSIONS ARE IN MILLIMETERS		SIZE: A4 FILE NAME: A650_small.dxf
		SCALE: WEIGHT: 223 g SHEET 1 OF 1

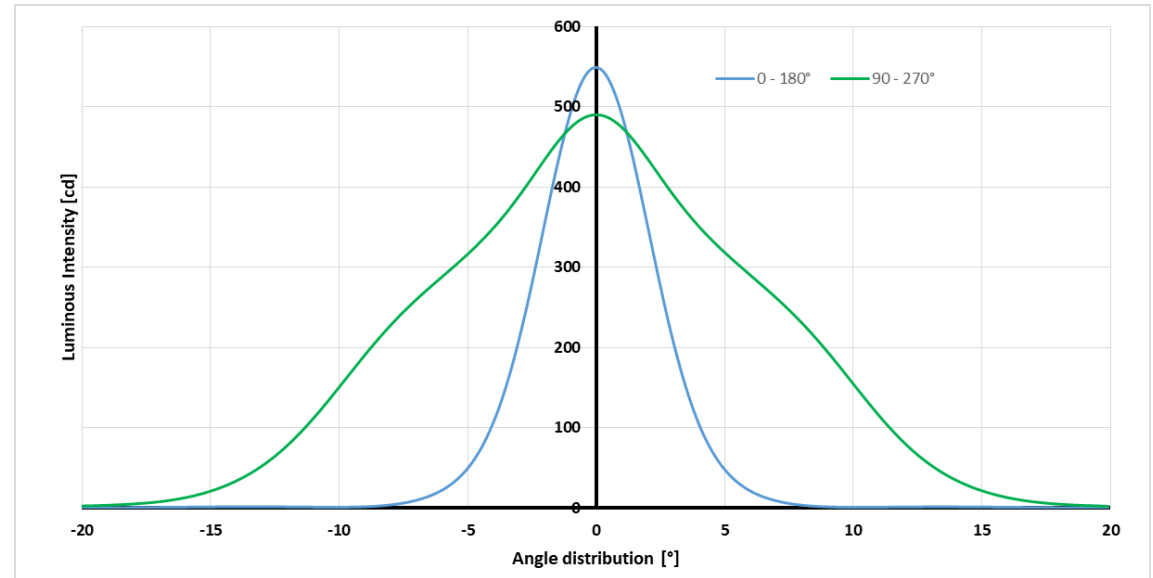
BACK TO LIST

A650 8034 – simulation results

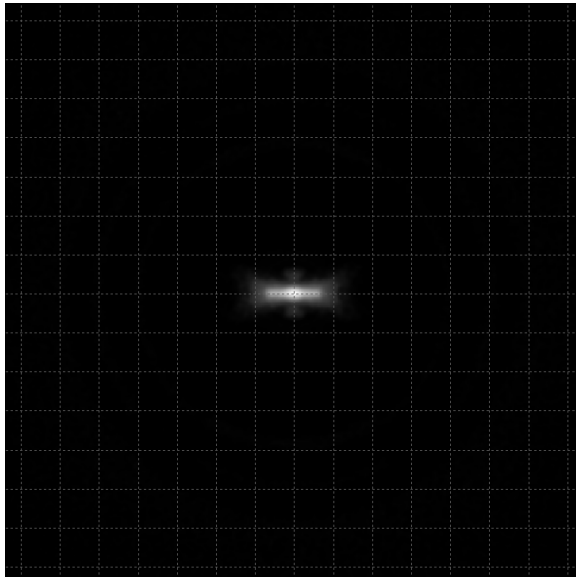
Polar Candela Distribution Plot



Rectangular Candela Distribution Plot



Projection wall 3x3 m at 1m



LED used for simulation	Cree XP-G
Luminous flux of LED [lm]	36

FWHM C0 [°]	5
FWHM C90 [°]	15

* The ratio between luminous flux on the projection wall (3x3 m at 1 m) and luminous flux of LED

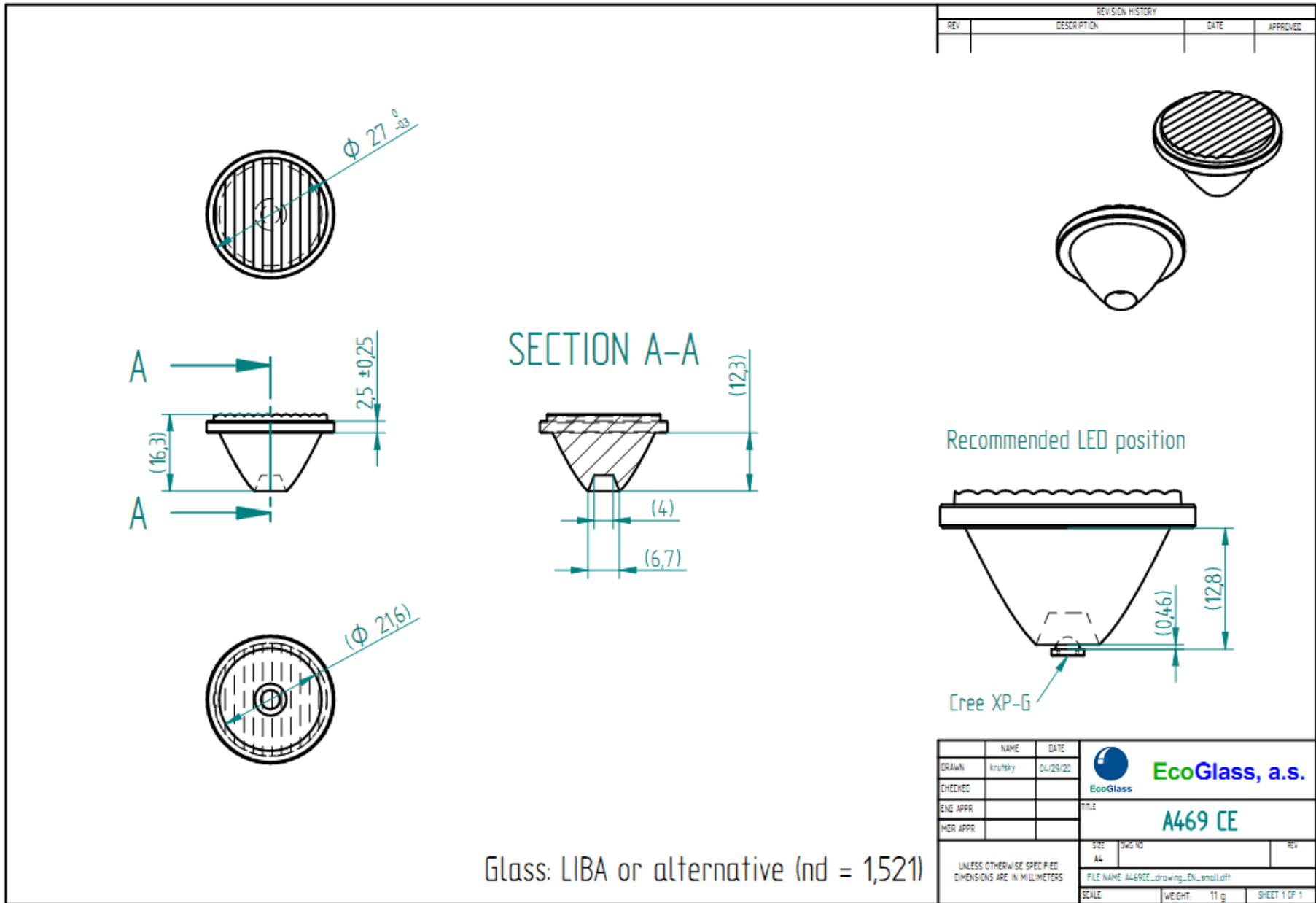
[BACK TO LIST](#)

EcoGlass TIR Lenses

EcoGlass code	Lens type	Beam angles FWHM (°) *		Diameter (mm)	Thickness (mm)
		C0 (0°)	C90 (90°)		
A469 CE	Collimator	20	40	27,0	16,3
A470 C10	Collimator	10	10	27,0	19,3
A471 C40	Collimator	40	40	27,0	14,8
A492 C40	Collimator	40	40	27,0	15,2
A493 C40	Collimator	50	50	27,0	19,8
A559 5631	Collimator	6,5	6,5	56,0	30,8
A561 7041	Collimator	5,6	5,6	70,0	41,0
A562 3929	Collimator	7,8	7,8	39,0	26,0
A643 C20	Collimator	20	20	27,0	16,4

* FWHM = full width at half maximum

A469 CE

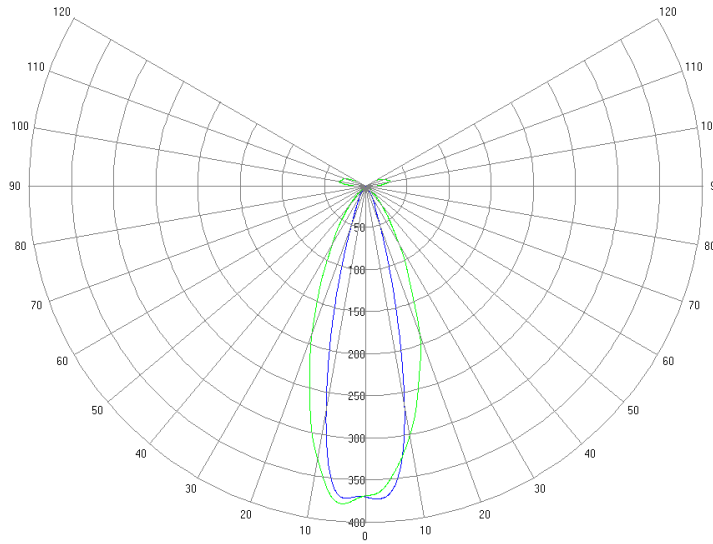


NAME	DATE	 EcoGlass, a.s.						
DRAWN	krutsky 04/29/20							
CHECKED		TITLE						
ENG APPR		A469 CE						
MGR APPR		<table border="1"> <tr> <td>SIZE</td> <td>DWG NO</td> <td>REV</td> </tr> <tr> <td>A4</td> <td> </td> <td> </td> </tr> </table>	SIZE	DWG NO	REV	A4		
SIZE	DWG NO	REV						
A4								
UNLESS OTHERWISE SPECIFIED, DIMENSIONS ARE IN MILLIMETERS		FILE NAME: A469CE_drawing_EN_small.dft						
SCALE	WEIGHT: 11 g	SHEET 1 OF 1						

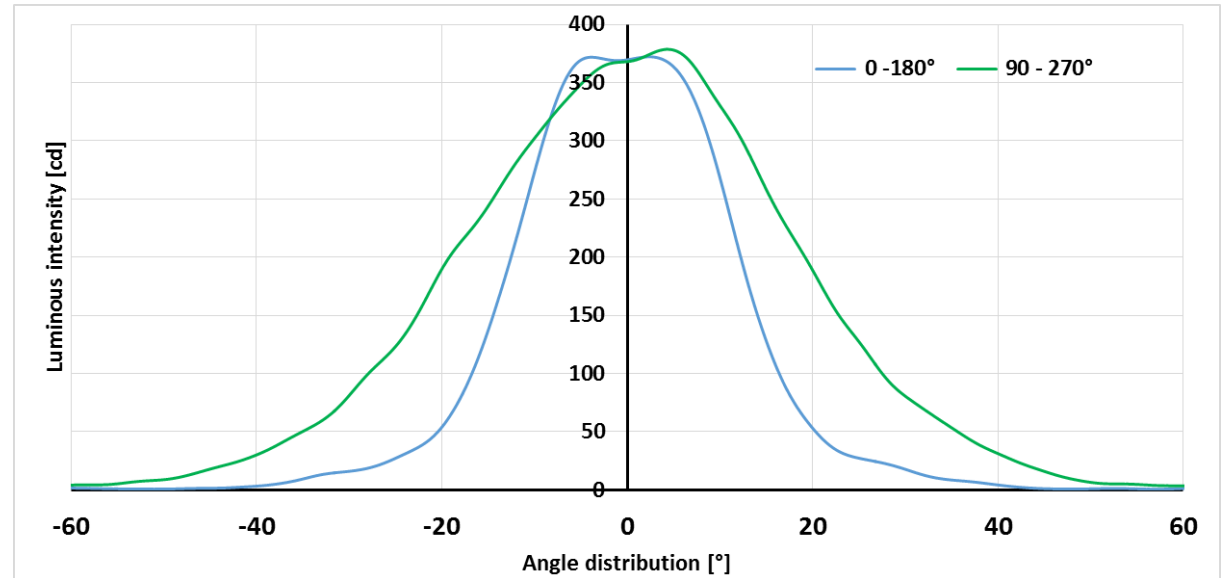
[BACK TO LIST](#)

A469 CE – simulation results

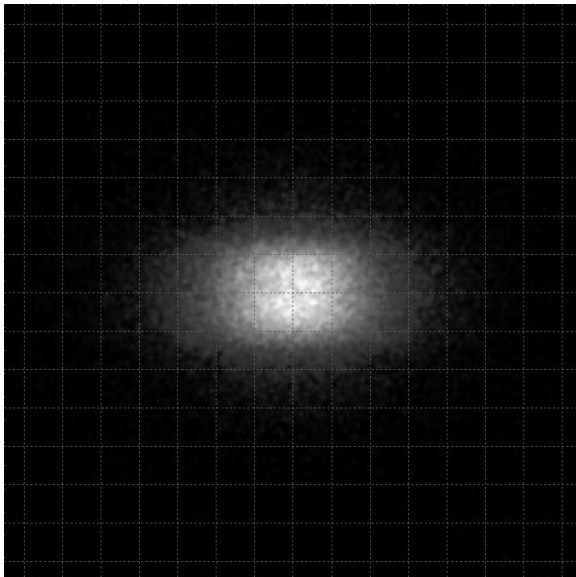
Polar Candela Distribution Plot



Rectangular Candela Distribution Plot



Projection wall 3x3 m at 1m



LED used for simulation	Cree XP-G
Luminous flux of LED [lm]	36
Efficiency [%]*	81
FWHM C0 [°]	20
FWHM C90 [°]	40

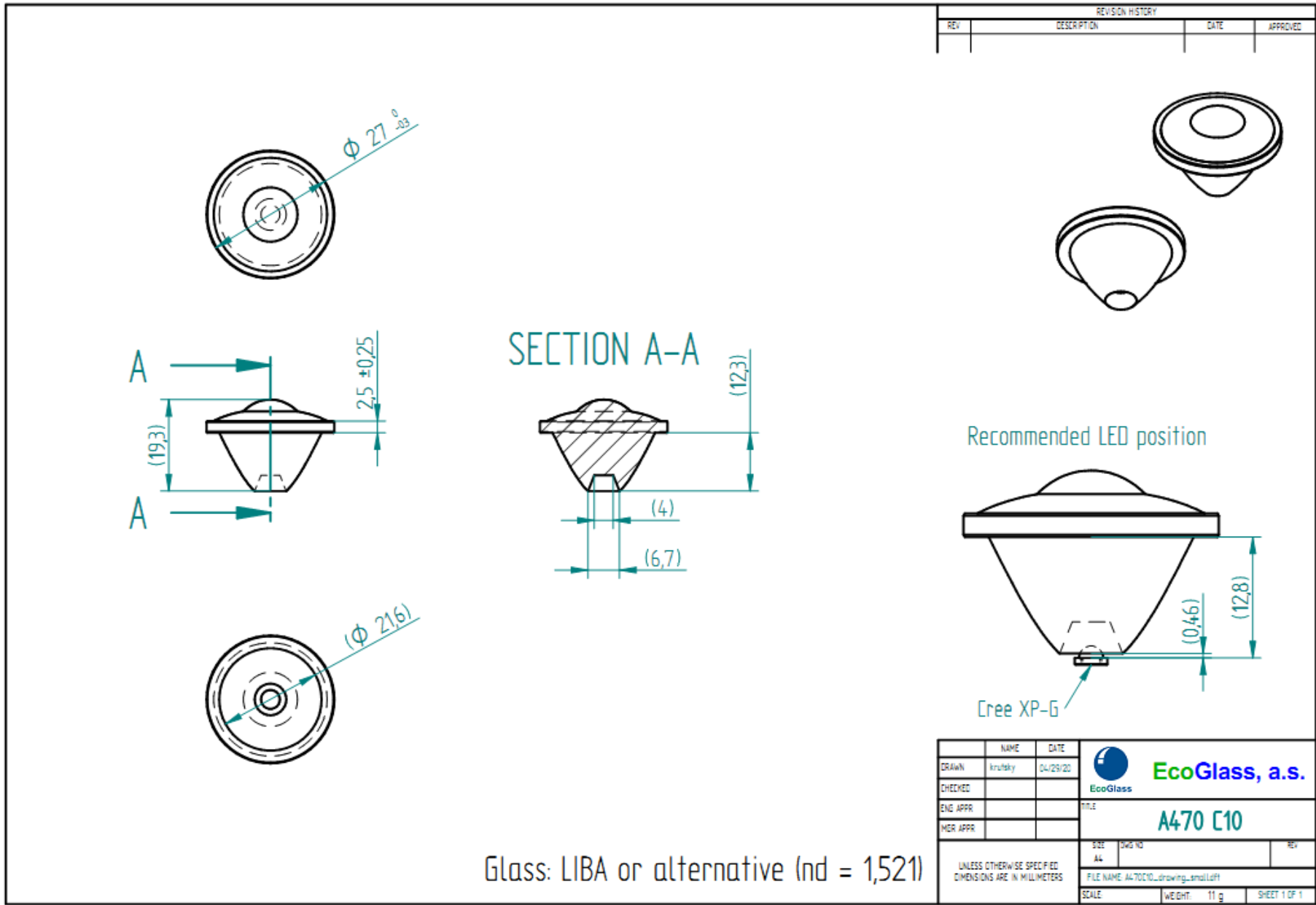
* The ratio between luminous flux on the projection wall (3x3 m at 1 m) and luminous flux of LED

[BACK TO LIST](#)



EcoGlass

A470 C10



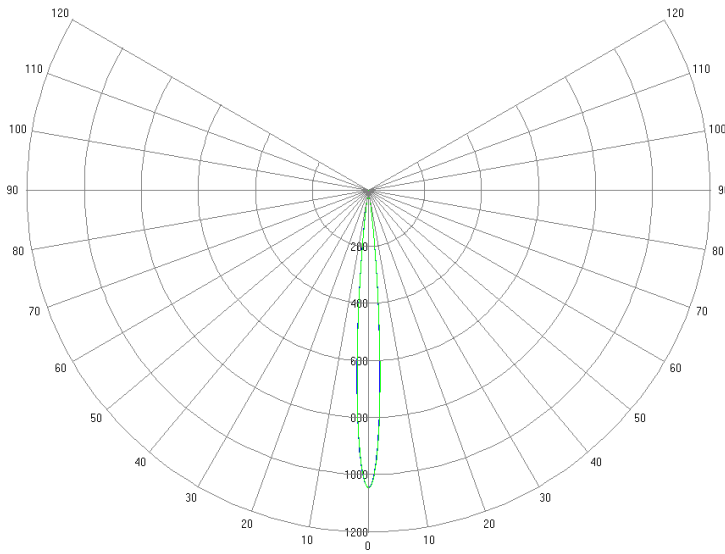
Glass: LIBA or alternative (nd = 1,521)

NAME	DATE	 EcoGlass, a.s.
DRAWN	krutsky 04/29/20	
CHECKED		
END APPR		
MER APPR		A470 C10
UNLESS OTHERWISE SPECIFIED DIMENSIONS ARE IN MILLIMETERS		SIZE: A4 FILE NAME: A470C10_drawing_small1off SCALE: WEIGHT: 11 g SHEET 1 OF 1

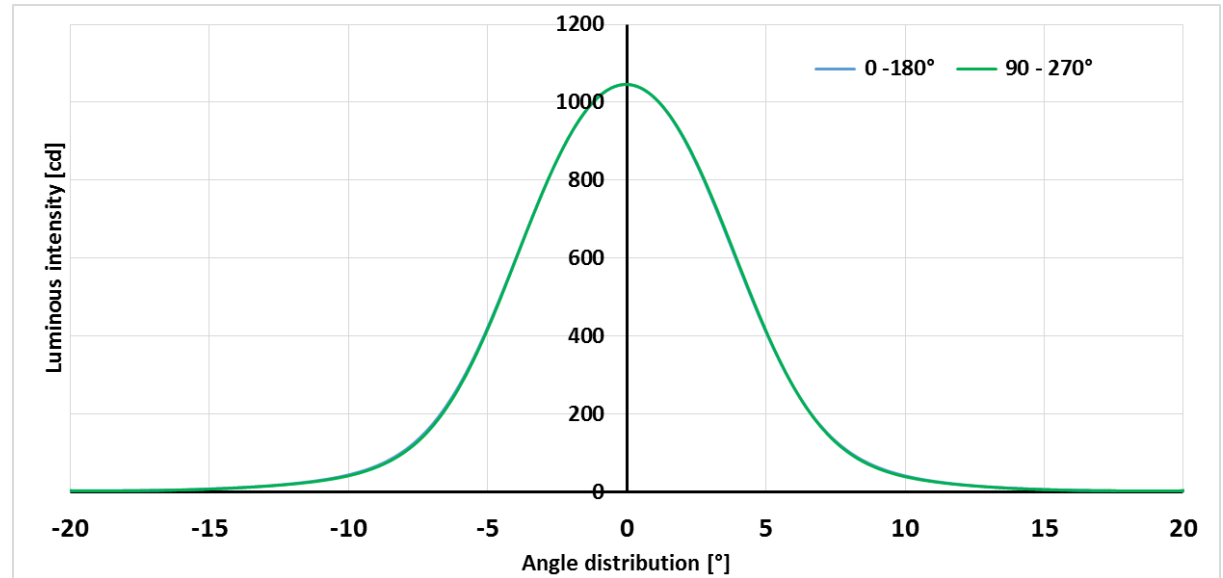
BACK TO LIST

A470 C10 – simulation results

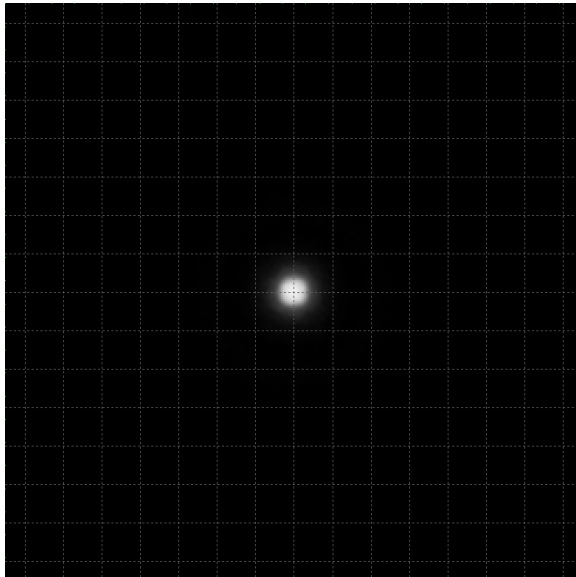
Polar Candela Distribution Plot



Rectangular Candela Distribution Plot



Projection wall 3x3 m at 1m

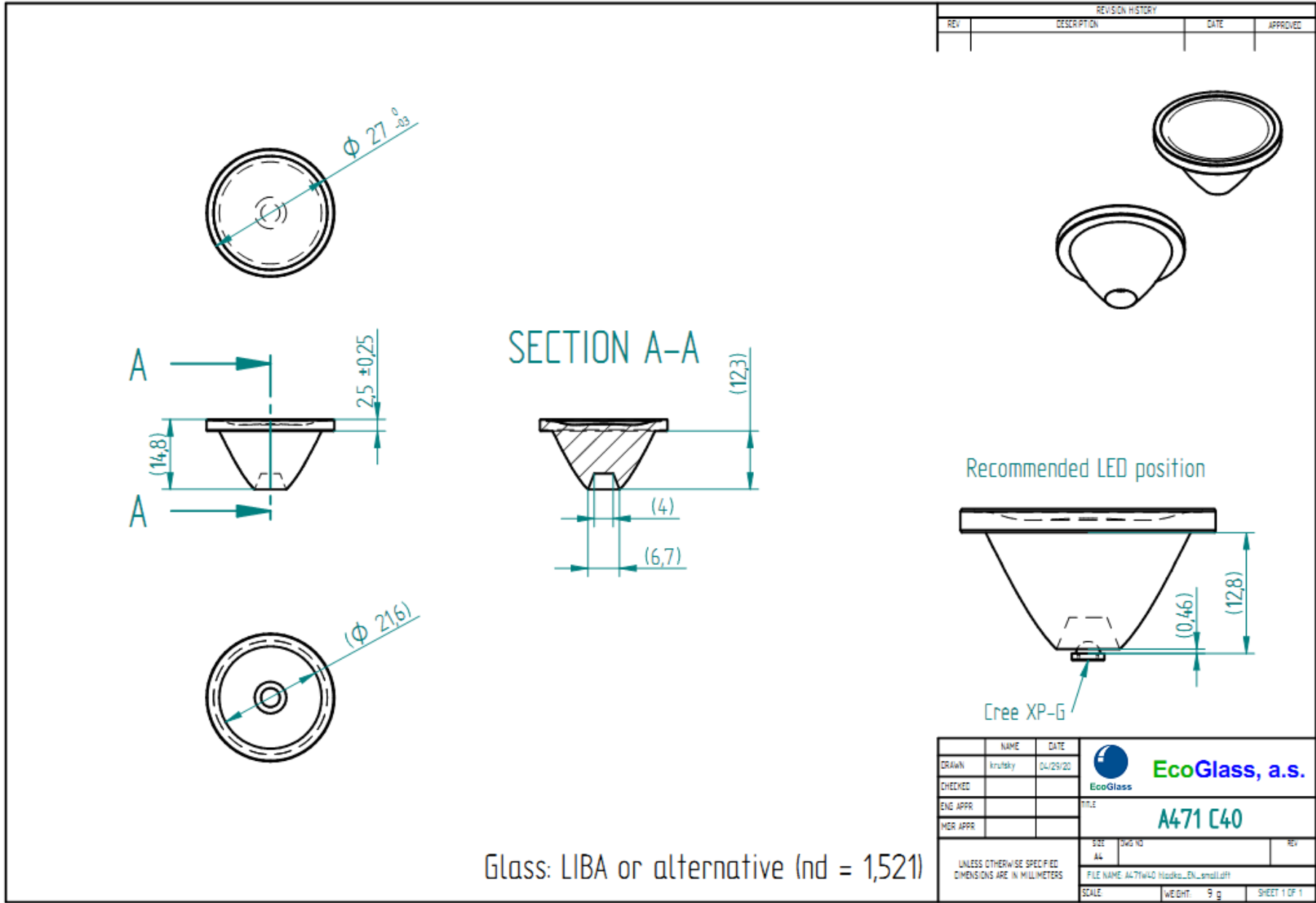


LED used for simulation	Cree XP-G
Luminous flux of LED [lm]	36
Efficiency [%]*	87
FWHM C0 [°]	10
FWHM C90 [°]	10

* The ratio between luminous flux on the projection wall (3x3 m at 1 m) and luminous flux of LED

[BACK TO LIST](#)

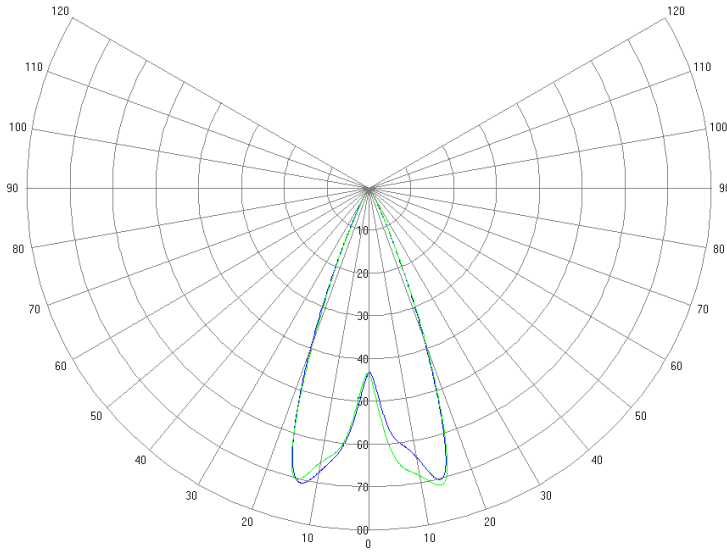
A471 C40



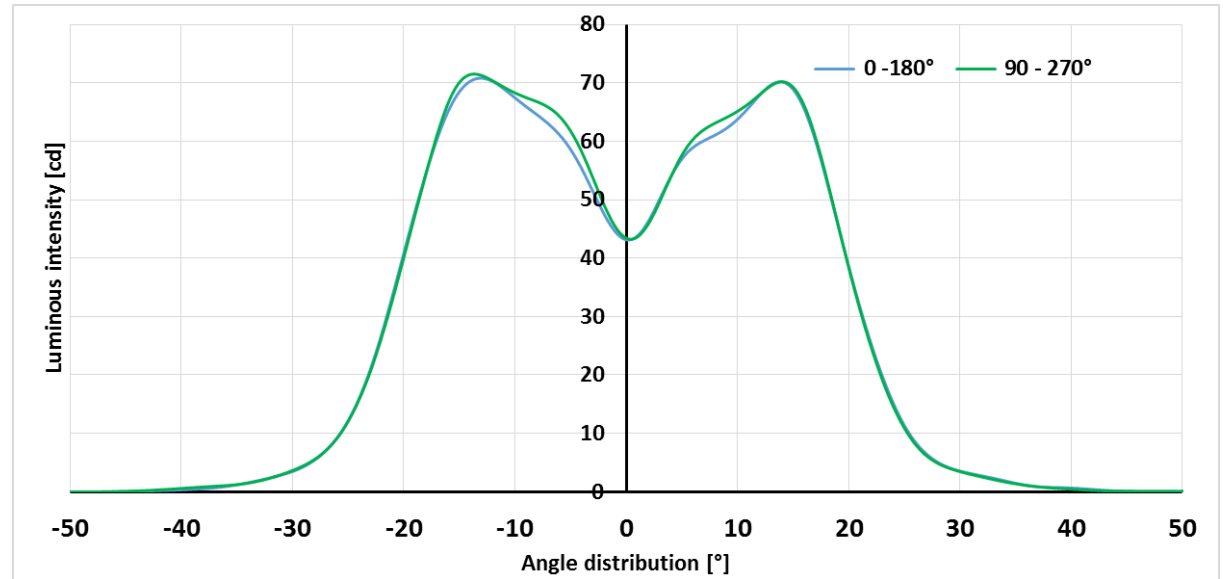
[BACK TO LIST](#)

A471 C40 – simulation results

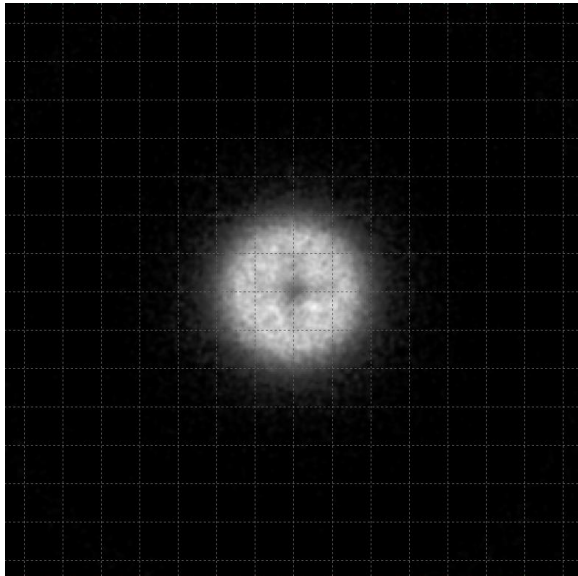
Polar Candela Distribution Plot



Rectangular Candela Distribution Plot



Projection wall 3x3 m at 1m



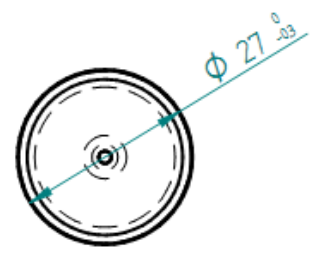
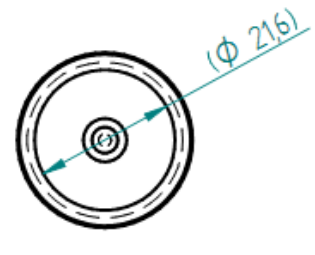
LED used for simulation	Cree XP-G
Luminous flux of LED [lm]	36
Efficiency [%]*	88
FWHM C0 [°]	40
FWHM C90 [°]	40

* The ratio between luminous flux on the projection wall (3x3 m at 1 m) and luminous flux of LED

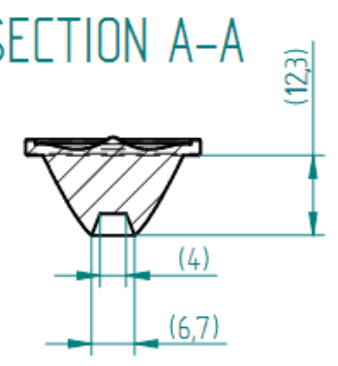
[BACK TO LIST](#)

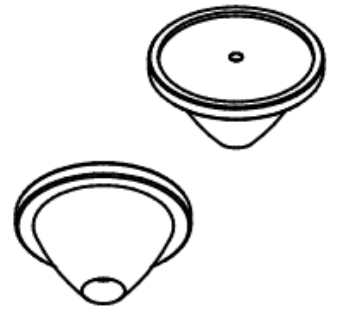
A492 C40

REVISION HISTORY			
REV	DESCRIPTION	DATE	APPROVED

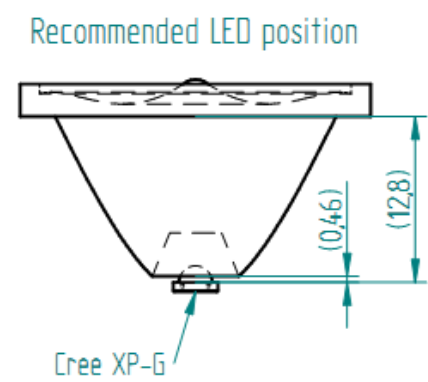



SECTION A-A






Recommended LED position



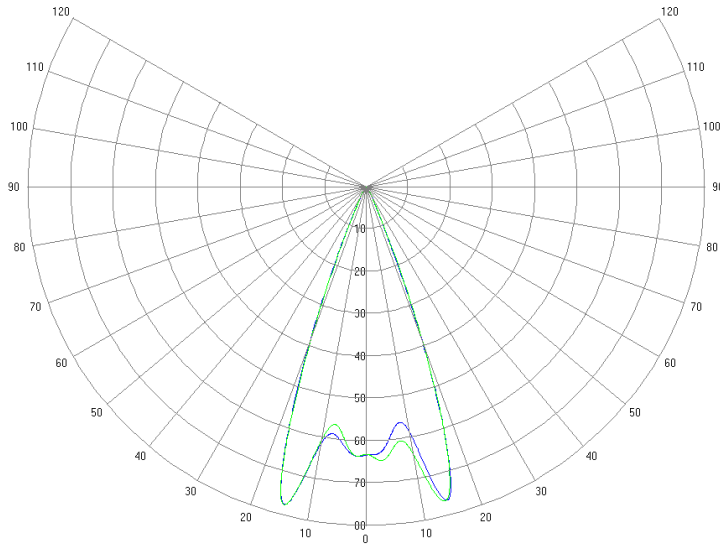
Glass: LIBA or alternative (nd = 1,521)

NAME	DATE	 EcoGlass, a.s.	
DRAWN	krutsky 04/29/20		TITLE
CHECKED		A492 C40	
ENG APPR		SIZE	SWG NO
MGR APPR		FILE NAME	REV
UNLESS OTHERWISE SPECIFIED DIMENSIONS ARE IN MILLIMETERS		A4	A492C40_EN_small.pdf
		SCALE	WEIGHT: 8 g SHEET 1 OF 1

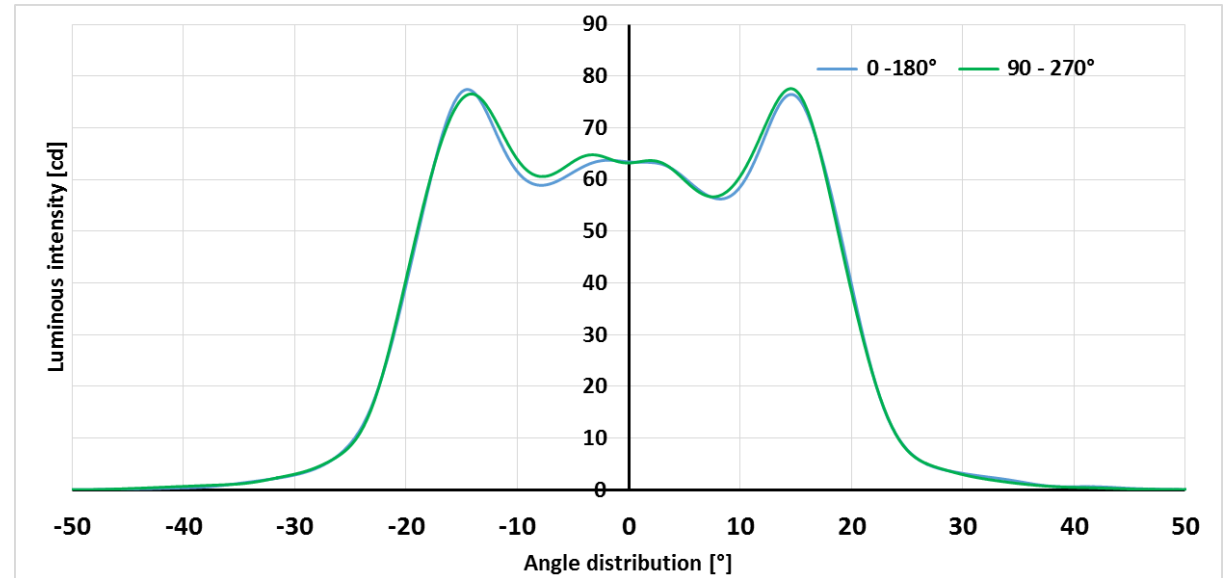
[BACK TO LIST](#)

A492 C40 – simulation results

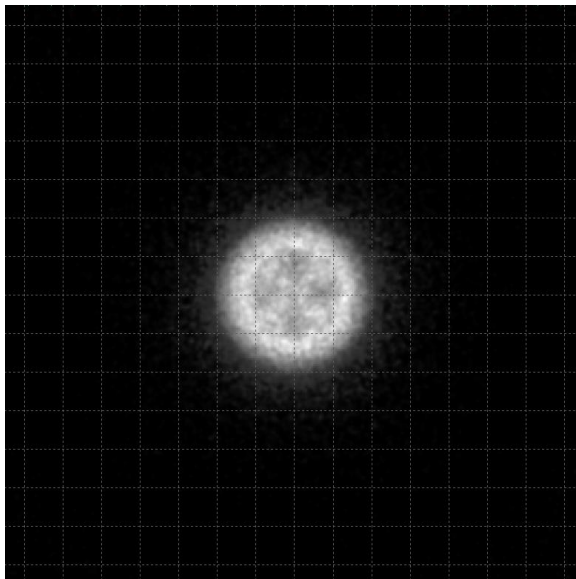
Polar Candela Distribution Plot



Rectangular Candela Distribution Plot



Projection wall 3x3 m at 1m

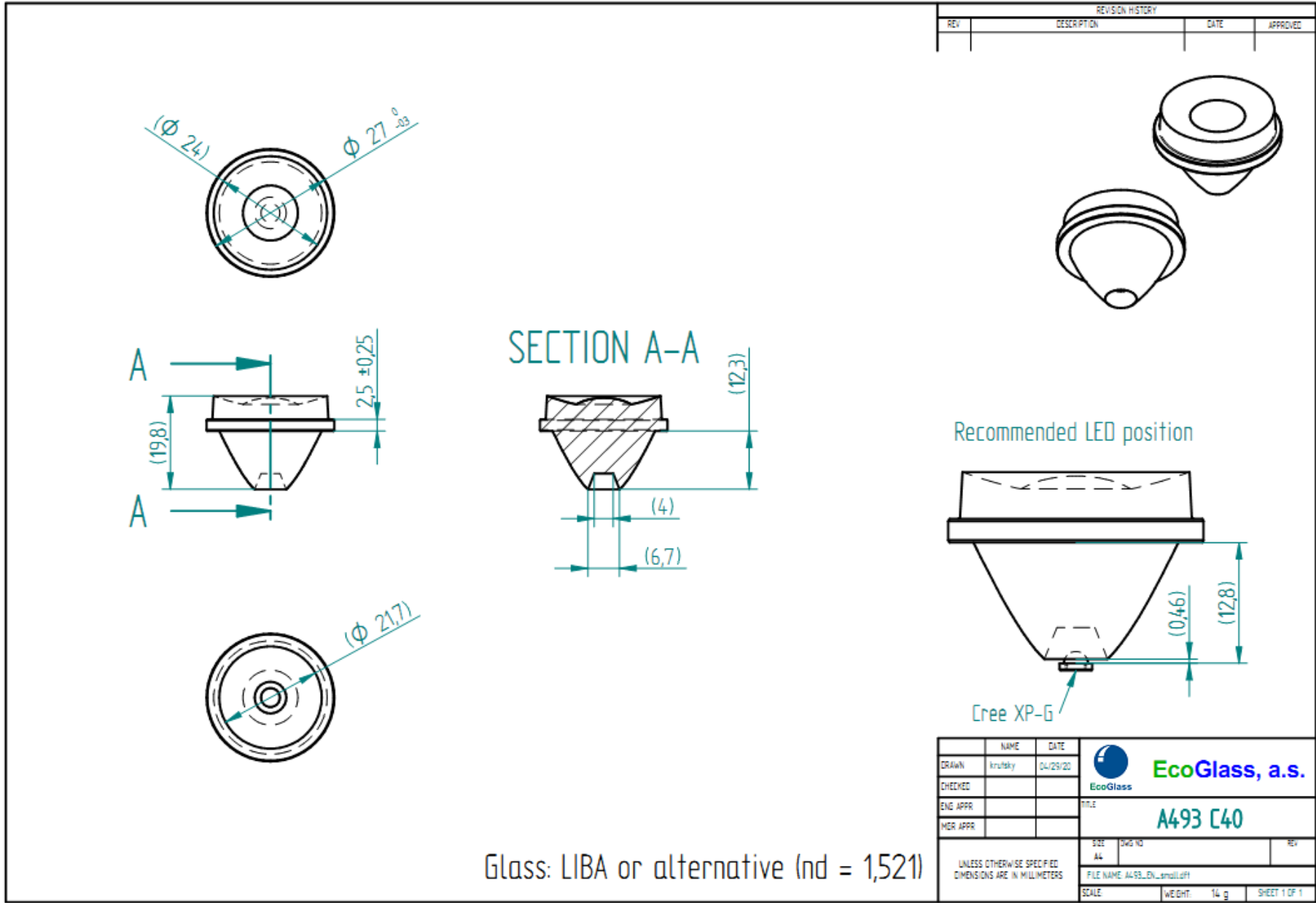


LED used for simulation	Cree XP-G
Luminous flux of LED [lm]	36
Efficiency [%]*	87
FWHM C0 [°]	40
FWHM C90 [°]	40

* The ratio between luminous flux on the projection wall (3x3 m at 1 m) and luminous flux of LED

[BACK TO LIST](#)

A493 C40

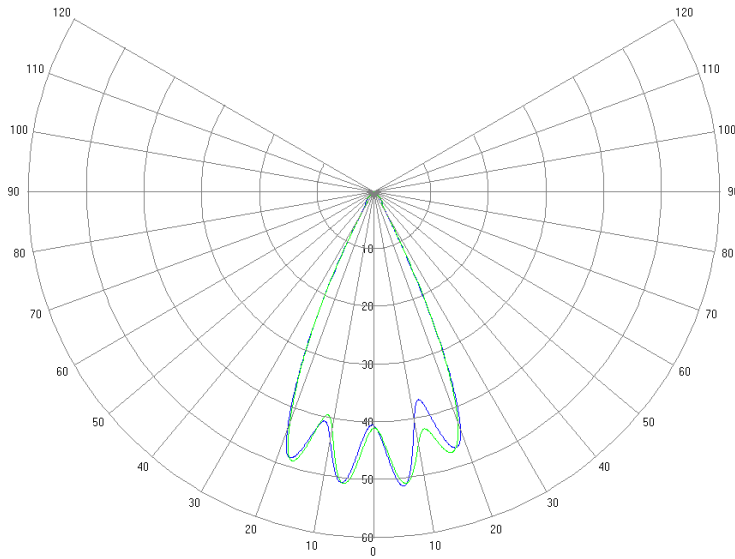


NAME	DATE	 EcoGlass, a.s.
DRAWN	krutsky 04/29/20	
CHECKED		TITLE
ENG APPR		A493 C40
MER APPR		SIZE
UNLESS OTHERWISE SPECIFIED DIMENSIONS ARE IN MILLIMETERS		A4
FILE NAME: A493_EN_small.dft		SCALE
WEIGHT: 14 g		SHEET 1 OF 1

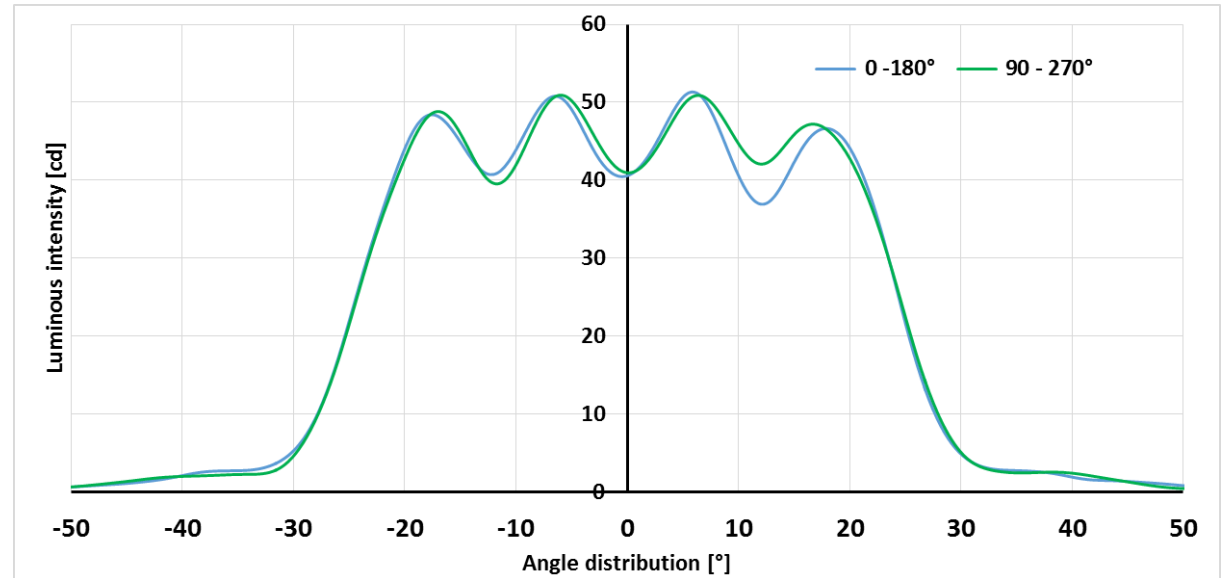
[BACK TO LIST](#)

A493 C40 – simulation results

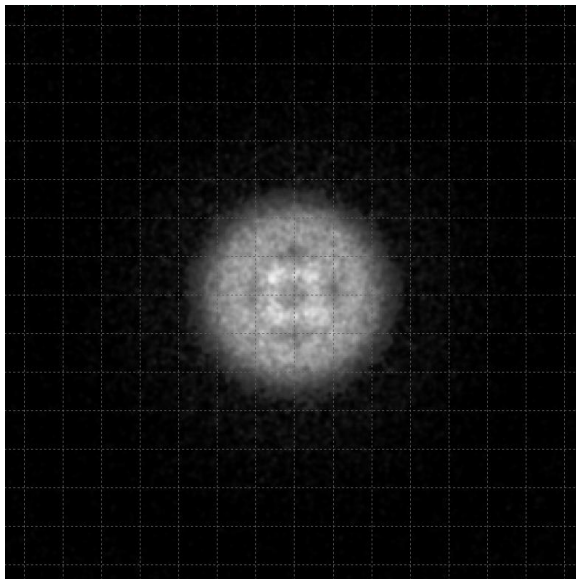
Polar Candela Distribution Plot



Rectangular Candela Distribution Plot



Projection wall 3x3 m at 1m



LED used for simulation	Cree XP-G
Luminous flux of LED [lm]	36
Efficiency [%]*	87
FWHM C0 [°]	50
FWHM C90 [°]	50

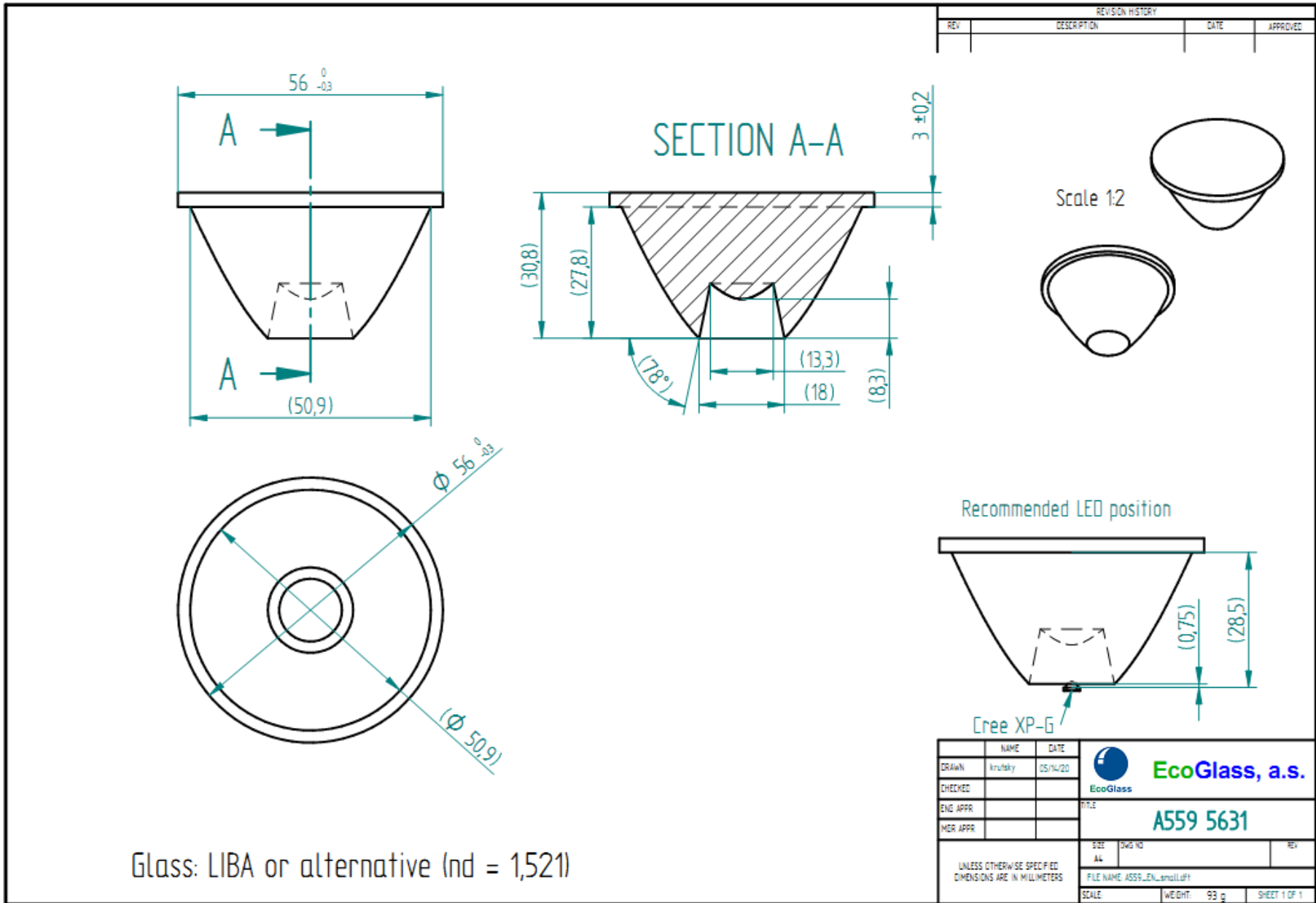
* The ratio between luminous flux on the projection wall (3x3 m at 1 m) and luminous flux of LED

[BACK TO LIST](#)



EcoGlass

A559 5631



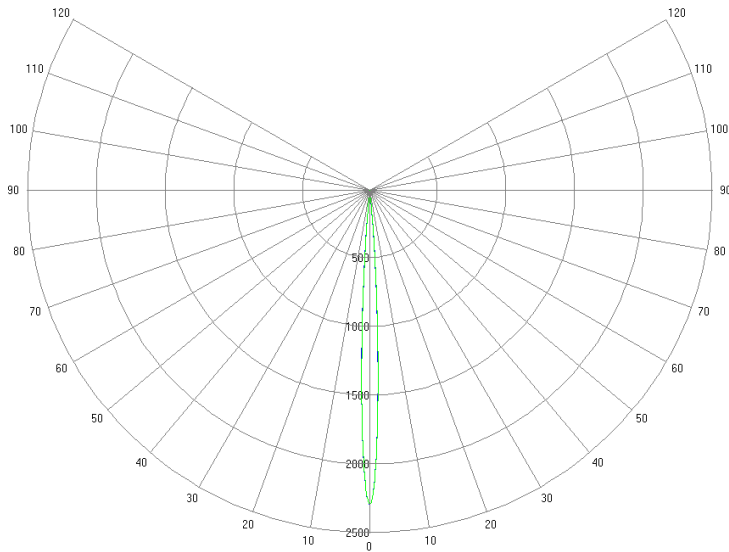
Glass: LIBA or alternative (nd = 1,521)

NAME	DATE	 EcoGlass, a.s.	TITLE	
DRAWN	krutsky		05/14/20	A559 5631
CHECKED				
ENG APPR				
MER APPR				
UNLESS OTHERWISE SPECIFIED DIMENSIONS ARE IN MILLIMETERS		SIZE	REV	
		A4		
		FILE NAME: A559_EN_small.dwg		
		SCALE	WEIGHT: 93 g SHEET 1 OF 1	

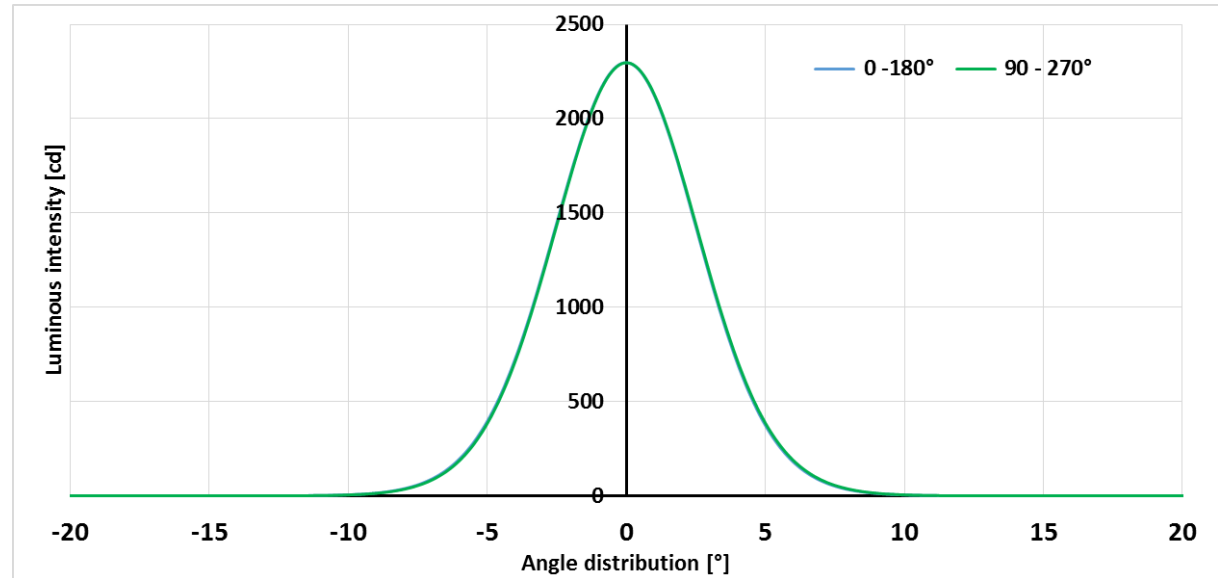
BACK TO LIST

A559 5631 – simulation results

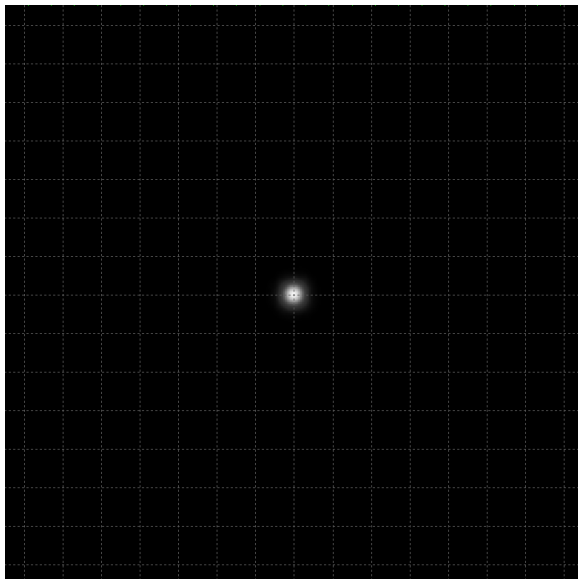
Polar Candela Distribution Plot



Rectangular Candela Distribution Plot



Projection wall 3x3 m at 1m



LED used for simulation	Cree XP-G
Luminous flux of LED [lm]	36
Efficiency [%]*	89
FWHM C0 [°]	6,5
FWHM C90 [°]	6,5

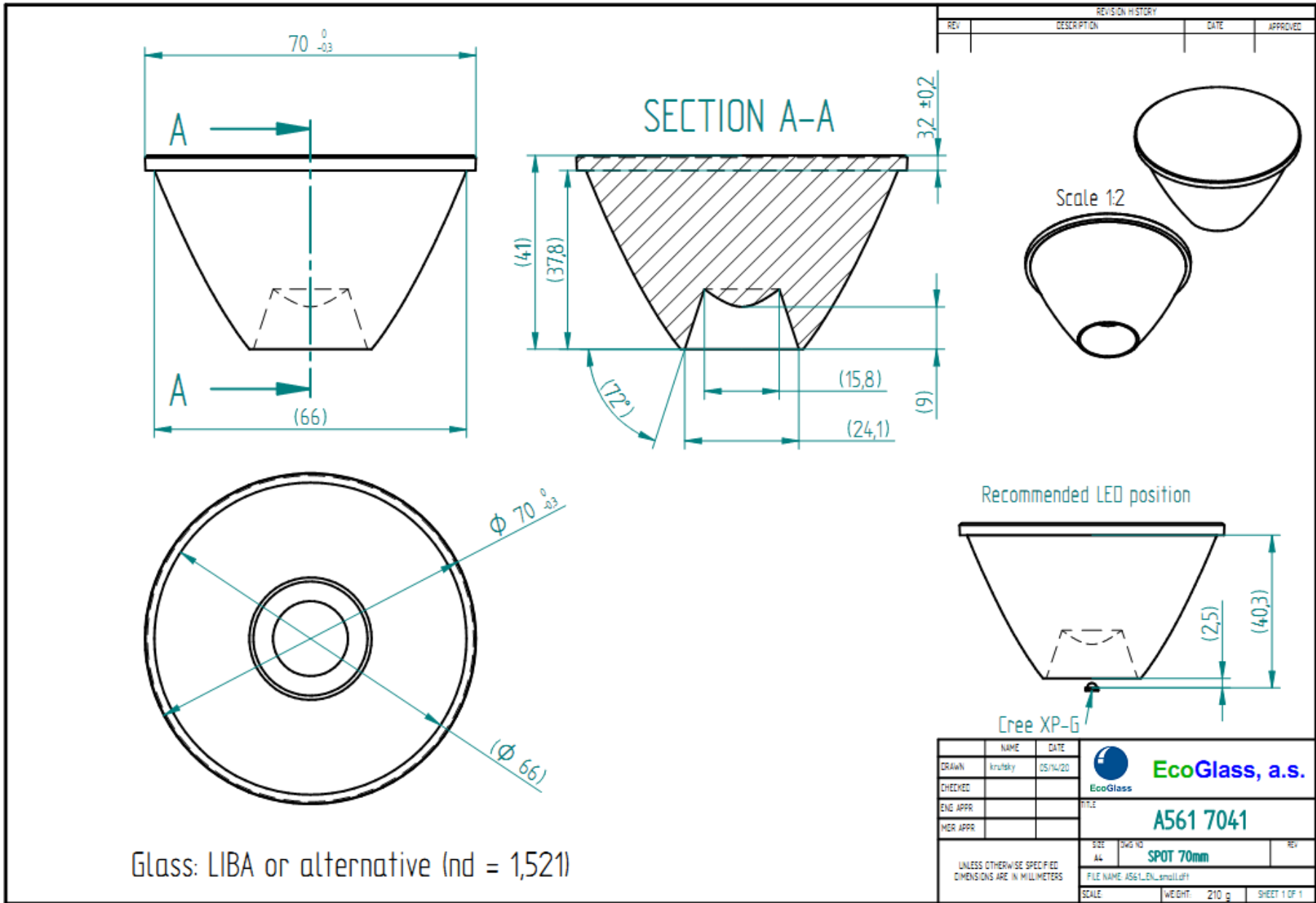
* The ratio between luminous flux on the projection wall (3x3 m at 1 m) and luminous flux of LED

[BACK TO LIST](#)



EcoGlass

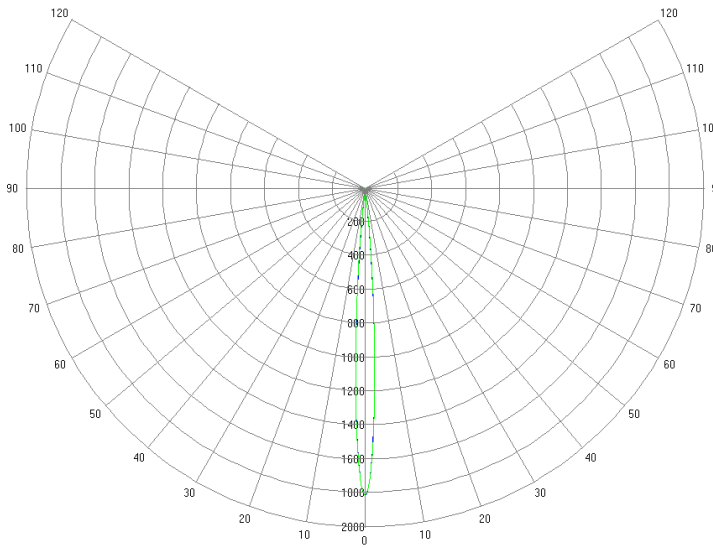
A561 7041



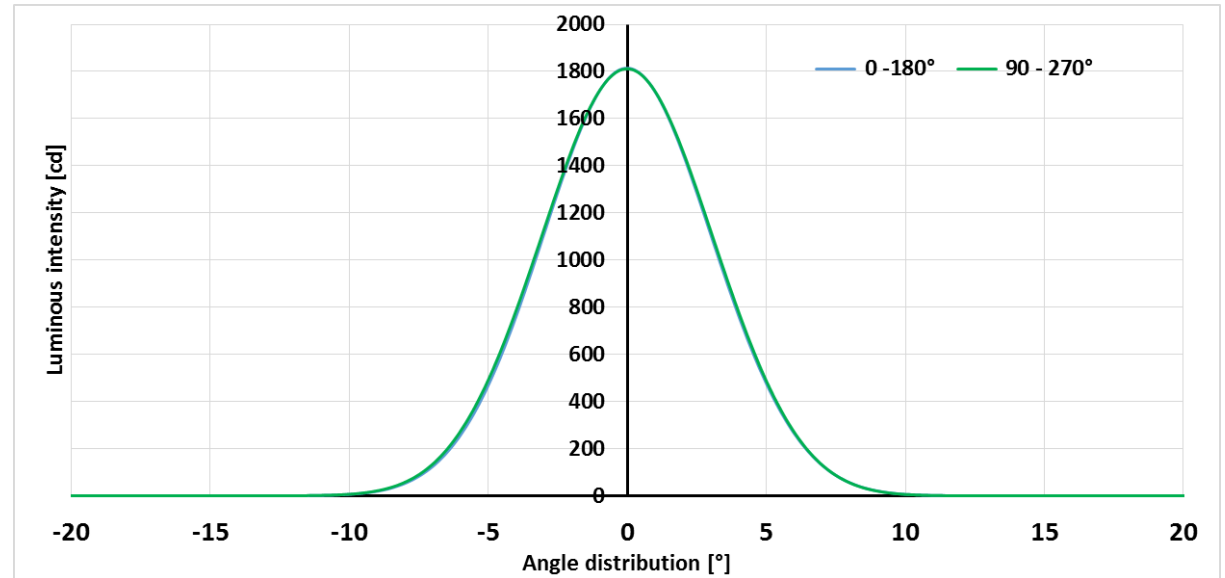
BACK TO LIST

A561 7041 – simulation results

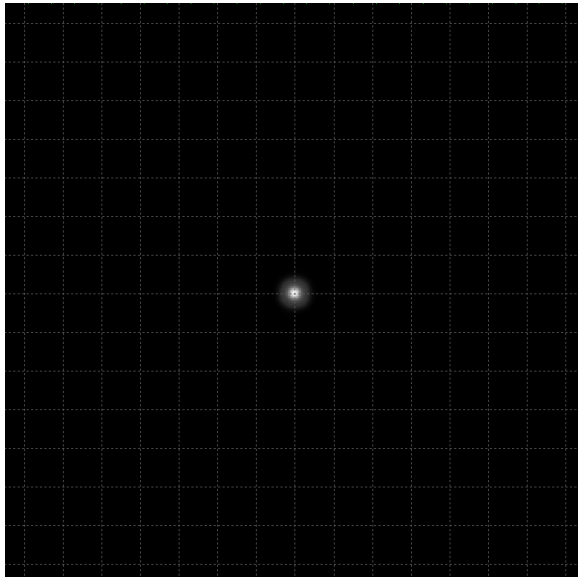
Polar Candela Distribution Plot



Rectangular Candela Distribution Plot



Projection wall 3x3 m at 1m



LED used for simulation	Cree XP-G
Luminous flux of LED [lm]	36
Efficiency [%]*	87
FWHM C0 [°]	5,6
FWHM C90 [°]	5,6

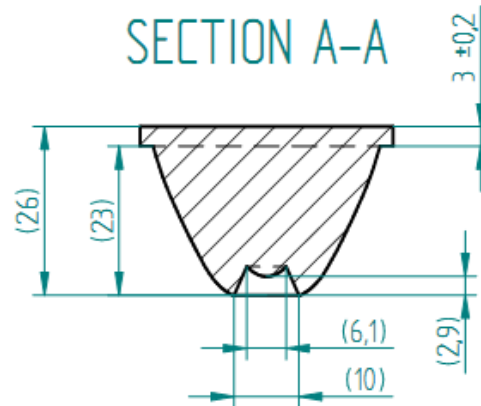
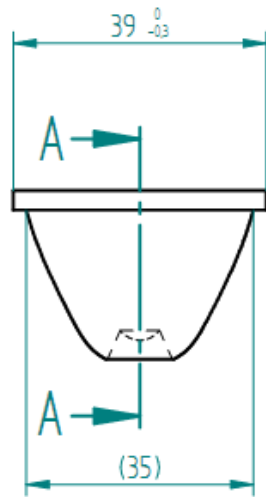
* The ratio between luminous flux on the projection wall (3x3 m at 1 m) and luminous flux of LED

[BACK TO LIST](#)

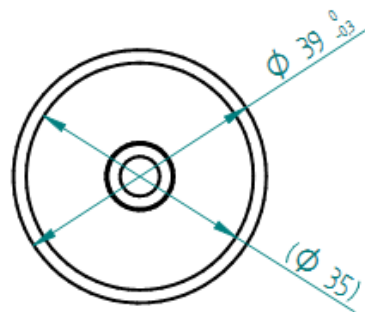
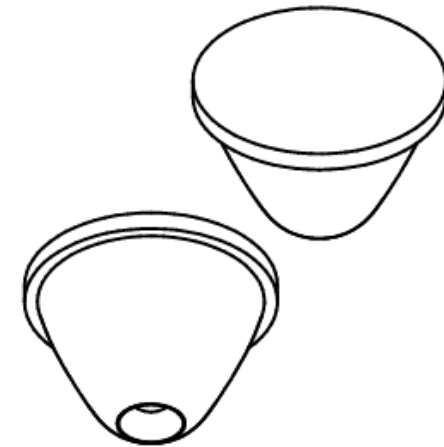


EcoGlass

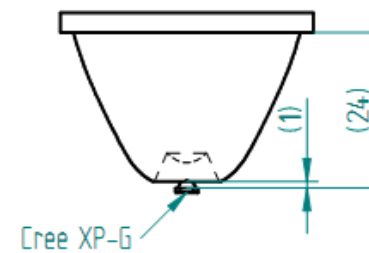
A562 3929



REVISION HISTORY			
REV	DESCRIPTION	DATE	APPROVED



Recommended LED position



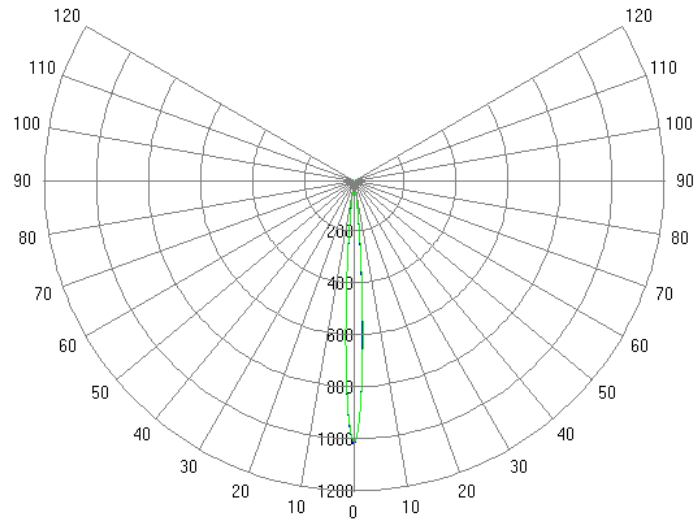
Glass: LIBA or alternative (nd = 1,521)

NAME	DATE	 EcoGlass, a.s.	TITLE	
DRAWN	krutsky		05/15/20	A562 3929
CHECKED				
ENG APPR				
MGR APPR				
UNLESS OTHERWISE SPECIFIED DIMENSIONS ARE IN MILLIMETERS		SIZE	REV	
		A4		
		FILE NAME	A562_small.dwg	
		SCALE	WEIGHT: 41 g SHEET 1 OF 1	

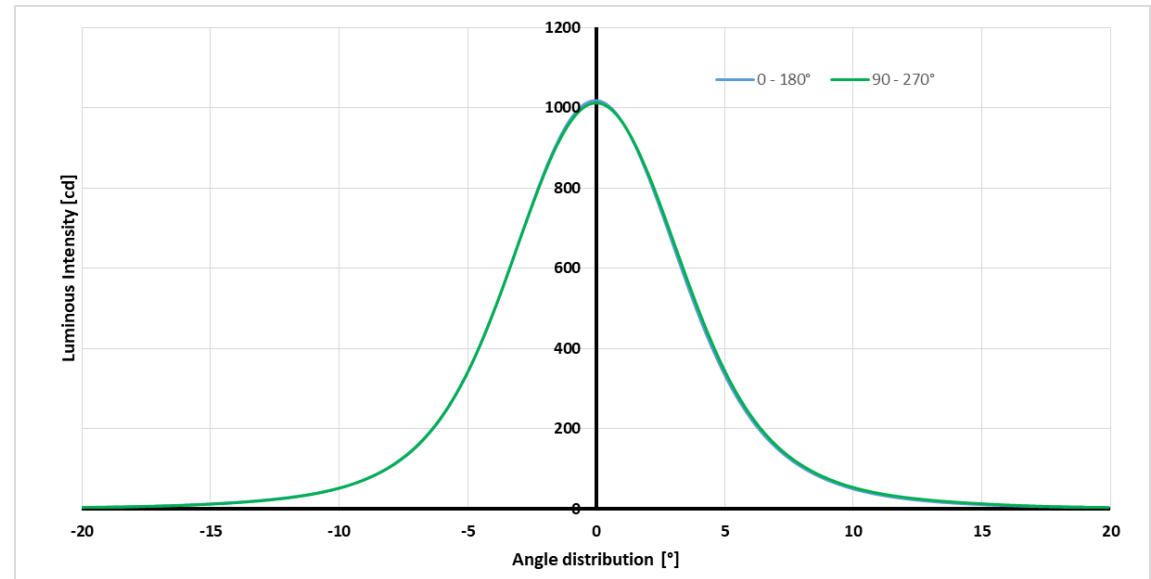
BACK TO LIST

A562 3929 – simulation results

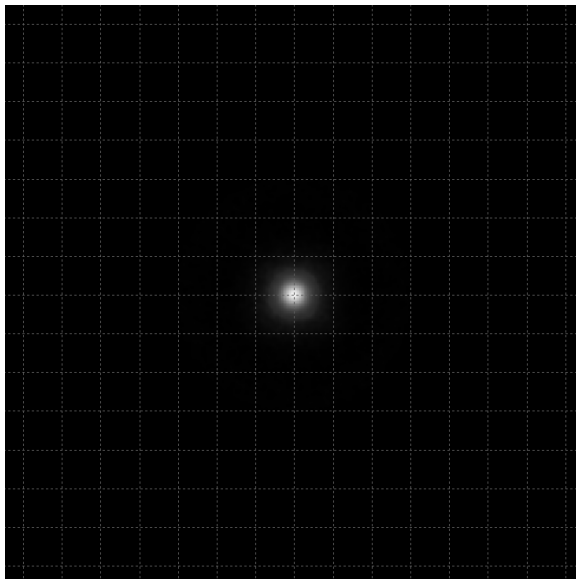
Polar Candela Distribution Plot



Rectangular Candela Distribution Plot



Projection wall 3x3 m at 1m



LED used for simulation	Cree XP-G
Luminous flux of LED [lm]	36
Efficiency [%]*	88
FWHM C0 [°]	7,8
FWHM C90 [°]	7,8

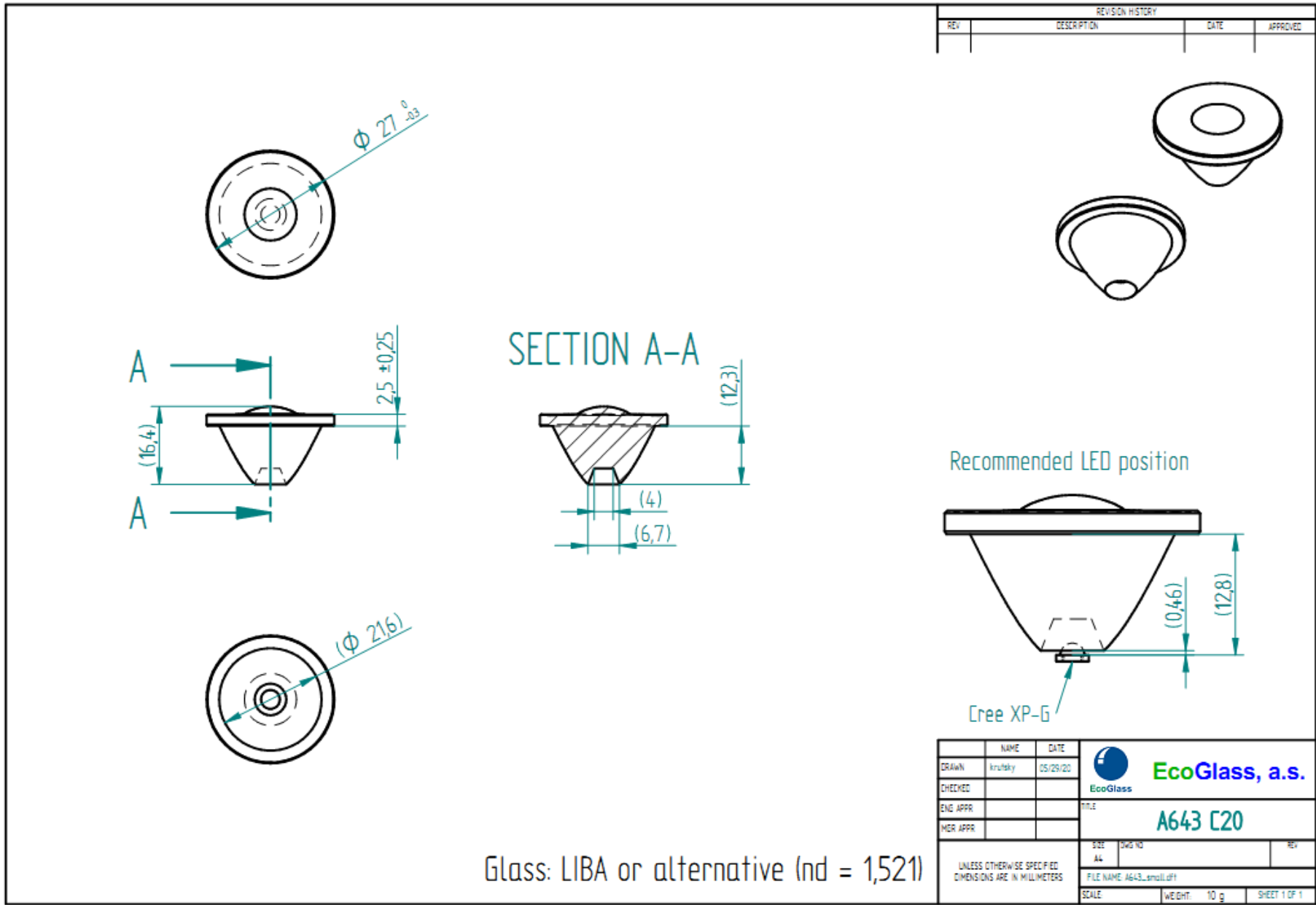
* The ratio between luminous flux on the projection wall (3x3 m at 1 m) and luminous flux of LED

[BACK TO LIST](#)

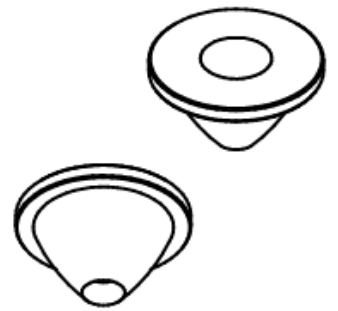


EcoGlass

A643 C20



REVISION HISTORY			
REV	DESCRIPTION	DATE	APPROVED



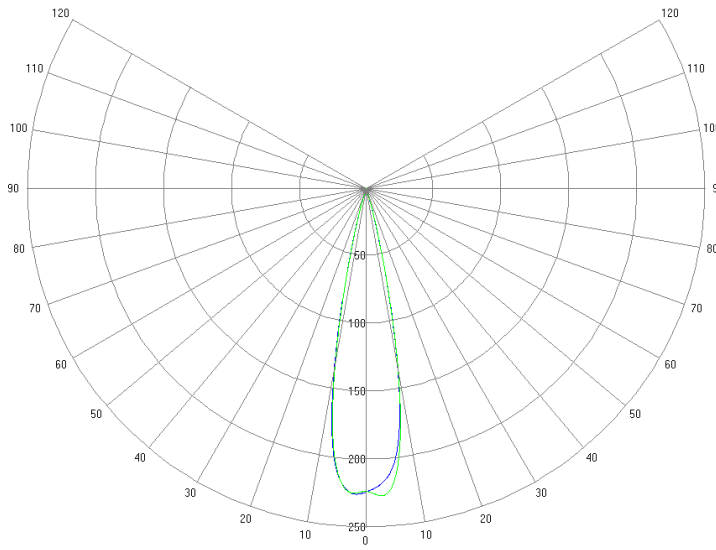
Glass: LIBA or alternative (nd = 1,521)

NAME	DATE	EcoGlass, a.s.
DRAWN	05/29/20	
CHECKED		TITLE A643 C20
ENG APPR		
MGR APPR		
UNLESS OTHERWISE SPECIFIED, DIMENSIONS ARE IN MILLIMETERS		SIZE A4
FILE NAME: A643_small.dwg		SCALE
WEIGHT: 10 g		SHEET 1 OF 1

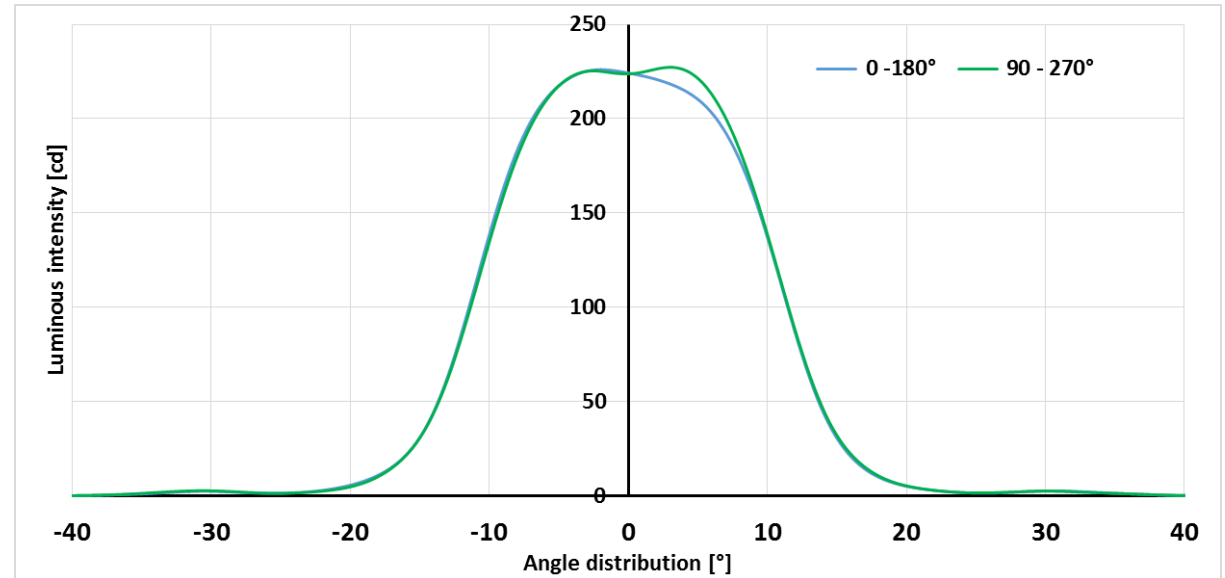
BACK TO LIST

A643 C20 – simulation results

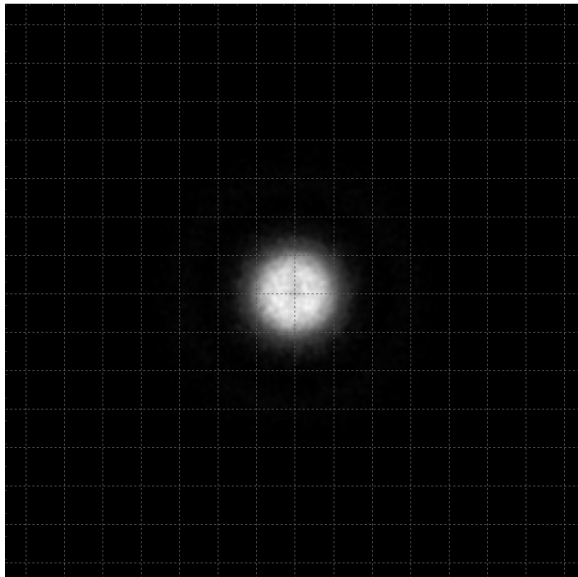
Polar Candela Distribution Plot



Rectangular Candela Distribution Plot



Projection wall 3x3 m at 1m



LED used for simulation	Cree XP-G
Luminous flux of LED [lm]	36
Efficiency [%]*	87
FWHM C0 [°]	20
FWHM C90 [°]	20

* The ratio between luminous flux on the projection wall (3x3 m at 1 m) and luminous flux of LED

[BACK TO LIST](#)

EcoGlass Cavity Lenses

EcoGlass code	Lens type	Beam angles FWHM (°) *		Diameter (mm)	Thickness (mm)
		C0 (0°)	C90 (90°)		
A494 C120	Cavity lens	120	120	34,0	13,5
A508 4018	Cavity lens	110	110	40,0	13,5
A569 7624	Cavity lens	20	120	76,0	24,0
A886 6629	Cavity lens	60	60	66	28,7
A892 6624	Cavity lens	90	90	66	25,9
A893 6624	Cavity lens	120	120	66	21,4

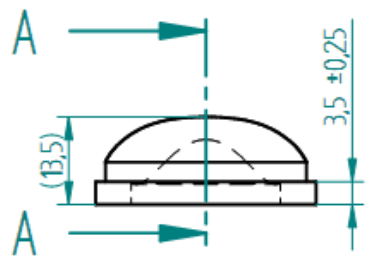
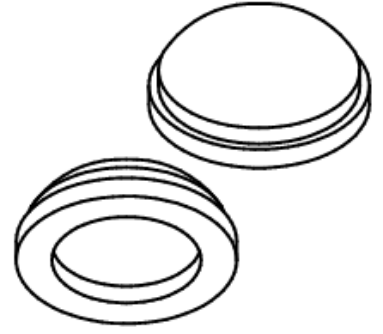
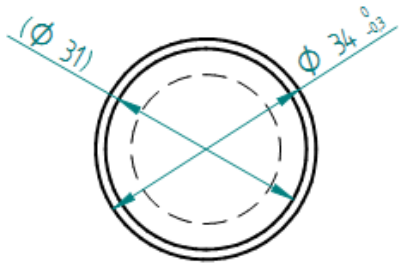
* FWHM = full width at half maximum



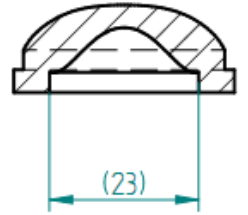
EcoGlass

A494 C120

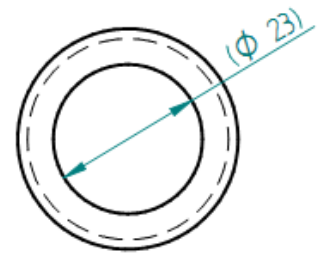
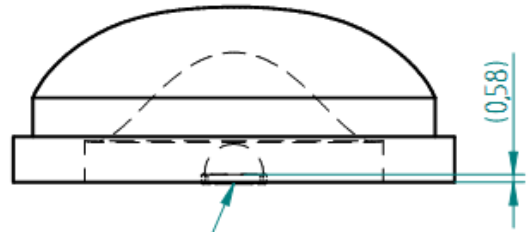
REVISION HISTORY			
REV	DESCRIPTION	DATE	APPROVED



SECTION A-A



Recommended LED position



Cree XM-L

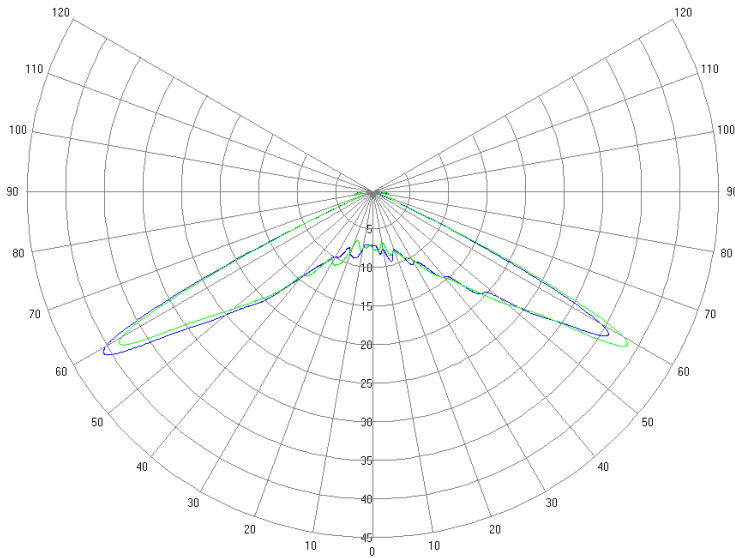
Glass: LIBA or alternative (nd = 1,521)

NAME	DATE	EcoGlass, a.s.
DRAWN	krutsky 04/29/20	
CHECKED		TITLE
ENG APPR		A494 C120
MER APPR		SIZE
UNLESS OTHERWISE SPECIFIED, DIMENSIONS ARE IN MILLIMETERS		A4
FILE NAME: A494C120_EN_small.dwg		SCALE
WEIGHT: 17 g		SHEET 1 OF 1

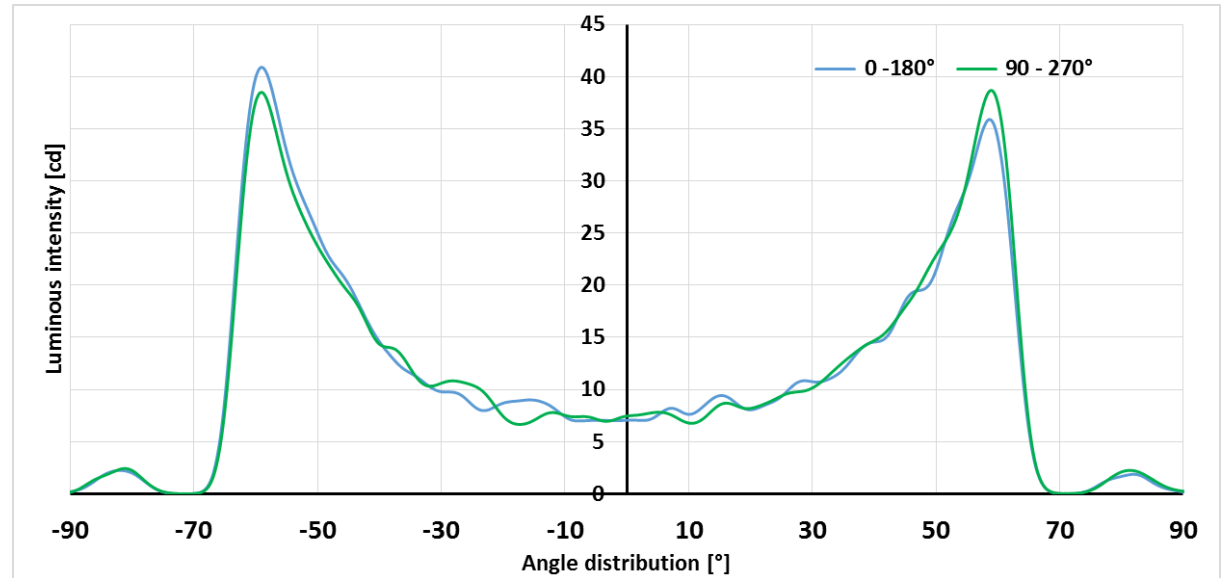
BACK TO LIST

A494 C120 – simulation results

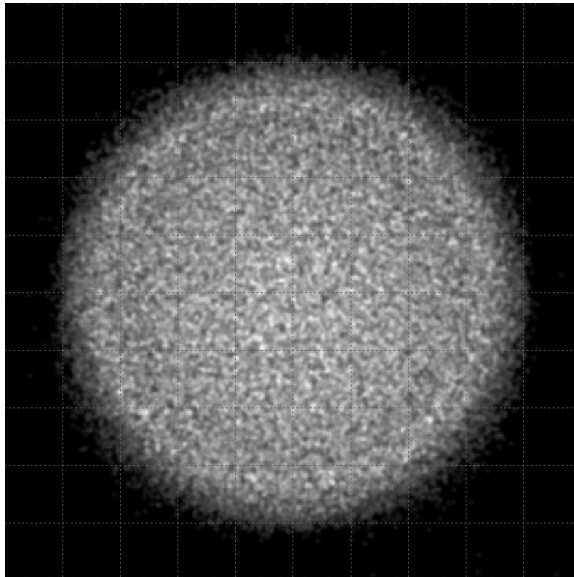
Polar Candela Distribution Plot



Rectangular Candela Distribution Plot



Projection wall 5x5 m at 1m

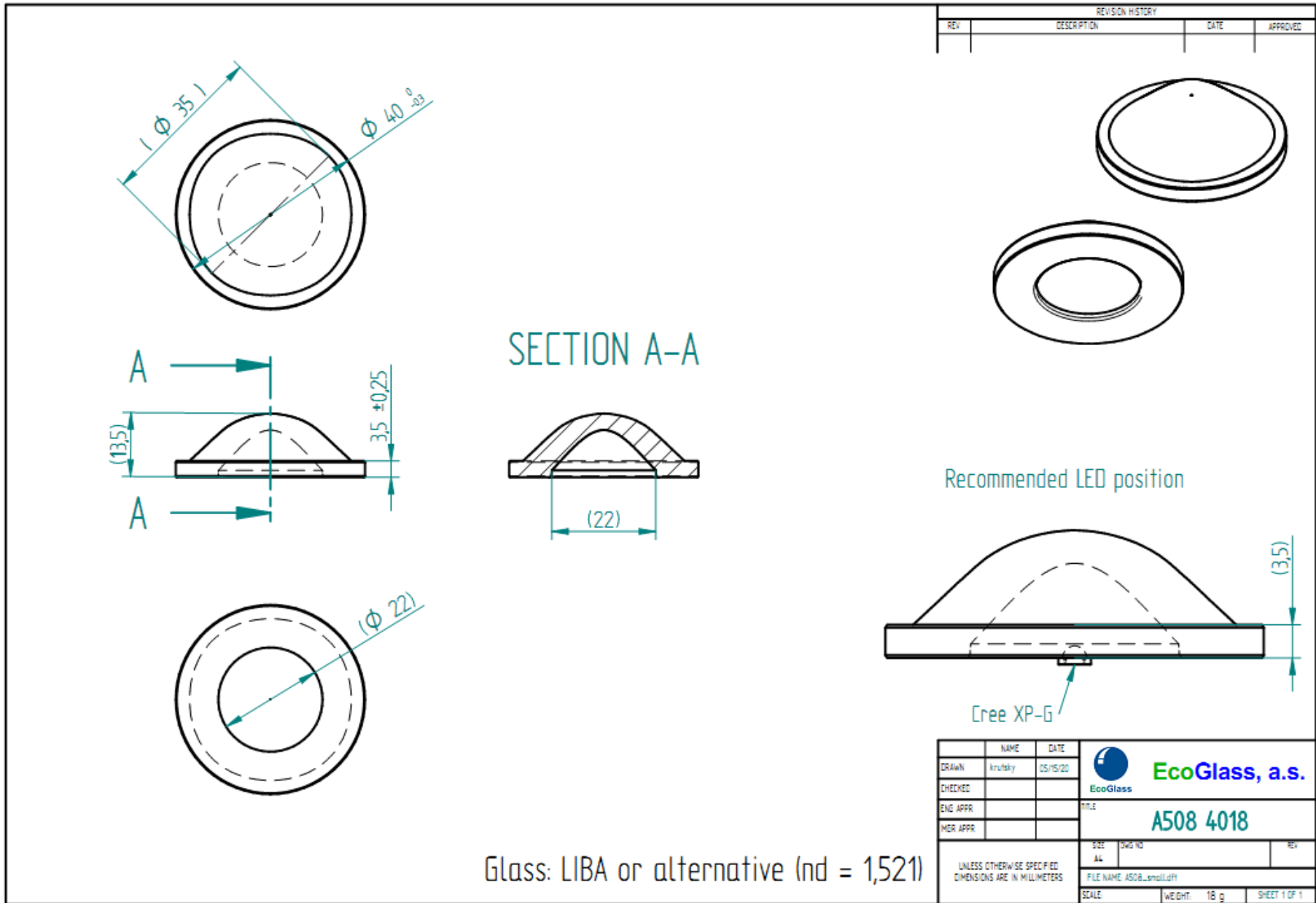


LED used for simulation	Cree XM-L
Luminous flux of LED [lm]	79
Efficiency [%]*	89
FWHM C0 [°]	120
FWHM C90 [°]	120

* The ratio between luminous flux on the projection wall (5x5 m at 1 m) and luminous flux of LED

[BACK TO LIST](#)

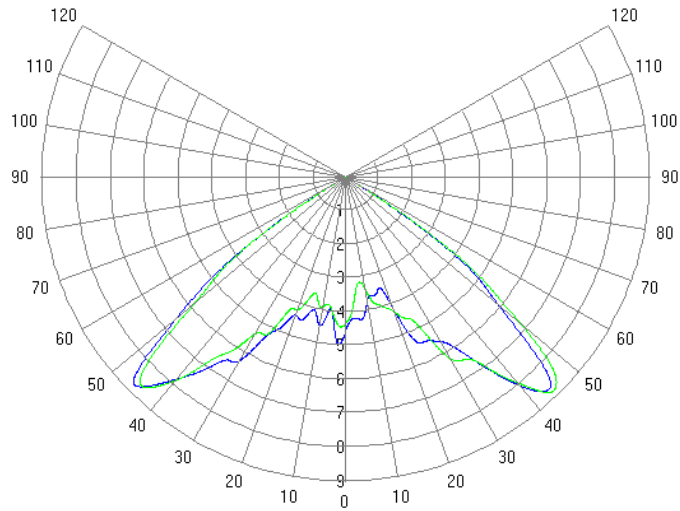
A508 4018



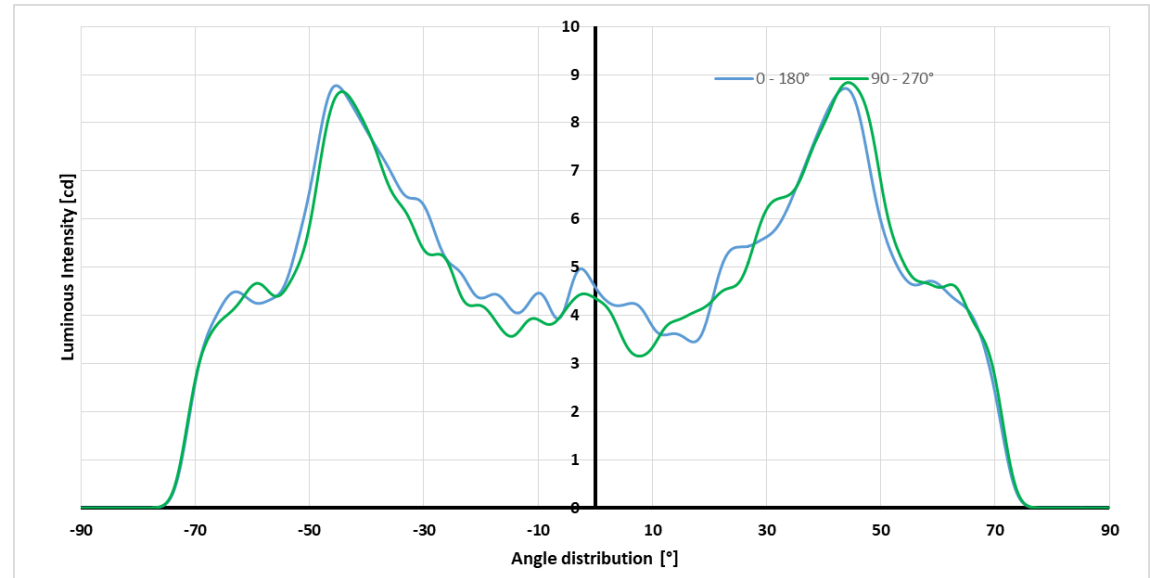
BACK TO LIST

A508 4018 – simulation results

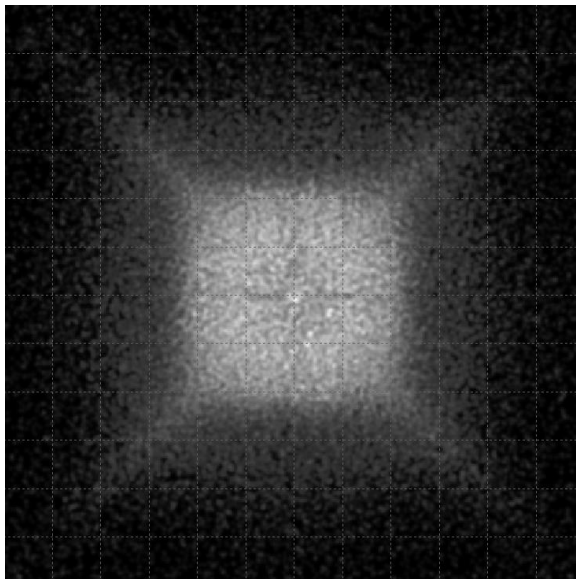
Polar Candela Distribution Plot



Rectangular Candela Distribution Plot



Projection wall 3x3 m at 1m



LED used for simulation	Cree XP-G
Luminous flux of LED [lm]	36
Efficiency [%]*	62
FWHM C0 [°]	110
FWHM C90 [°]	110

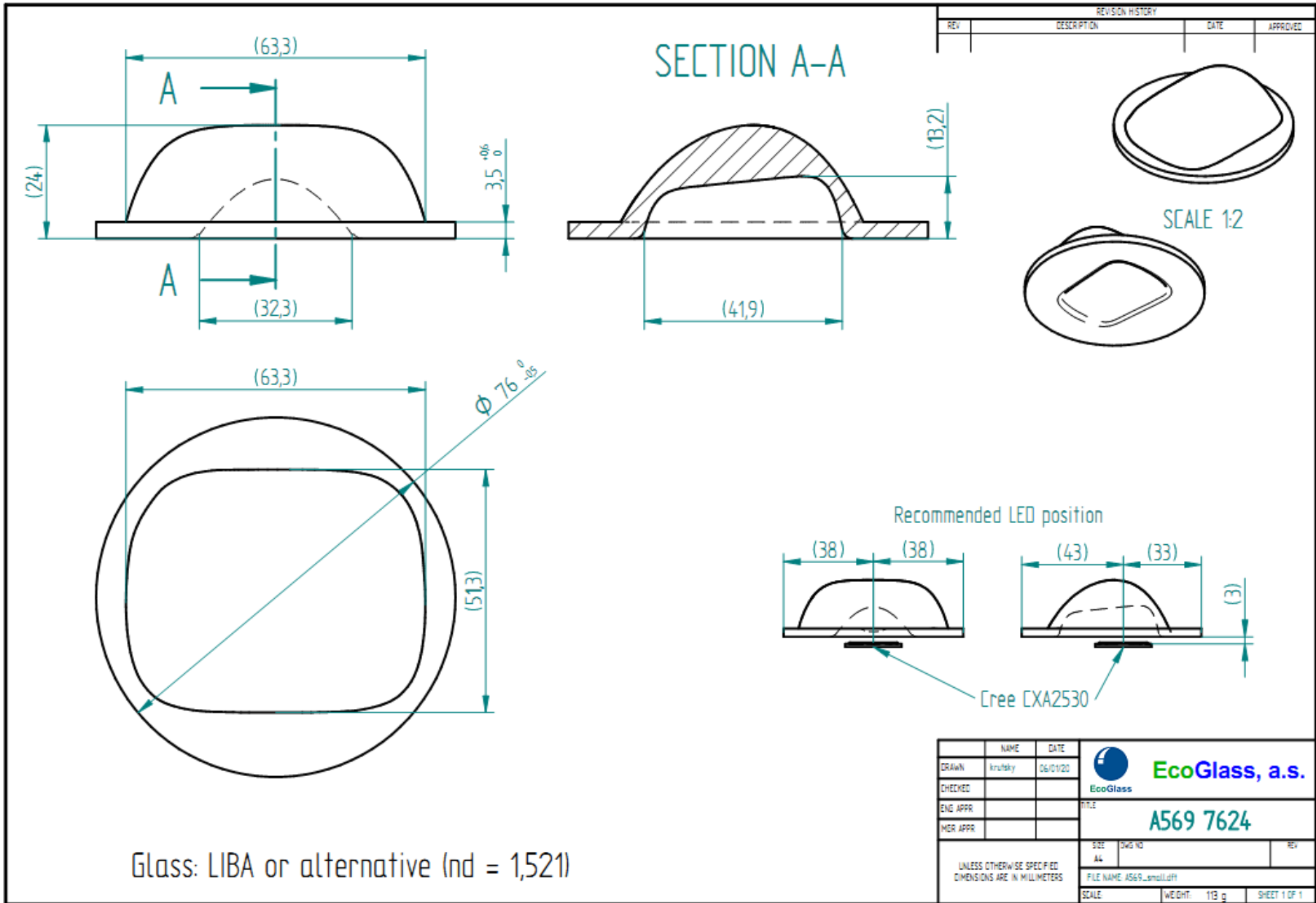
* The ratio between luminous flux on the projection wall (6x6 m at 1 m) and luminous flux of LED

[BACK TO LIST](#)



EcoGlass

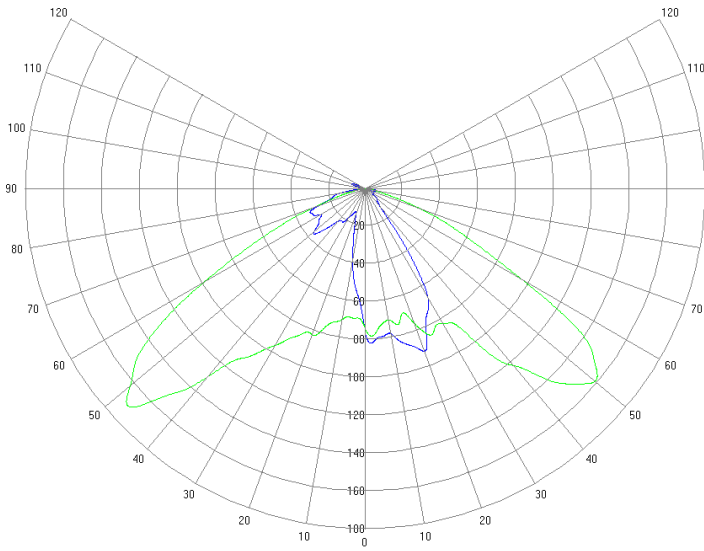
A569 7624



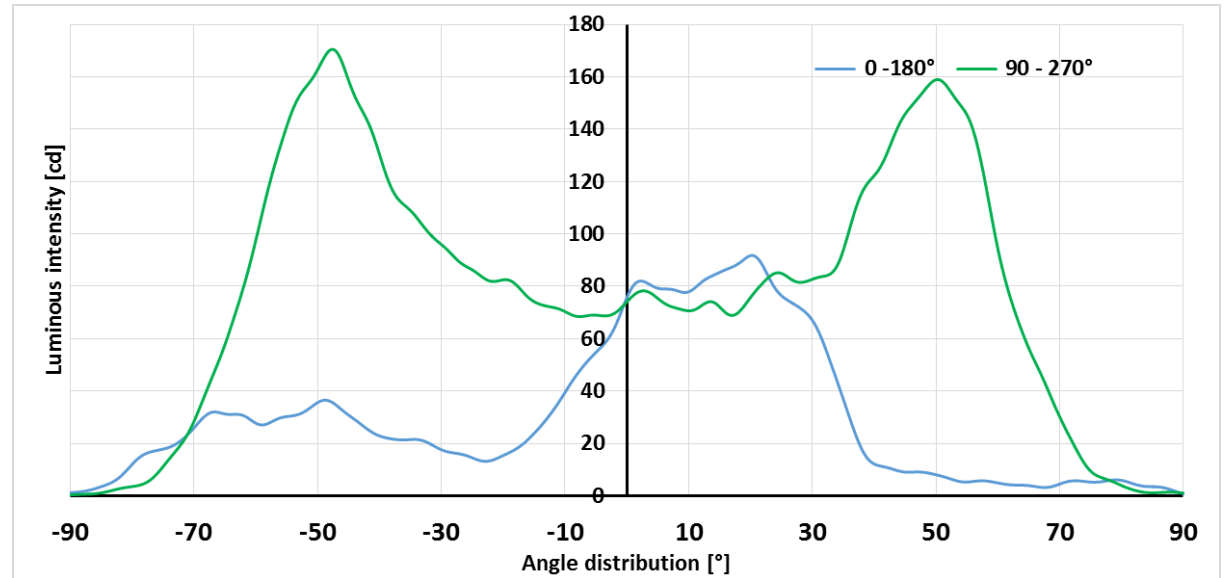
BACK TO LIST

A569 7624 – simulation results

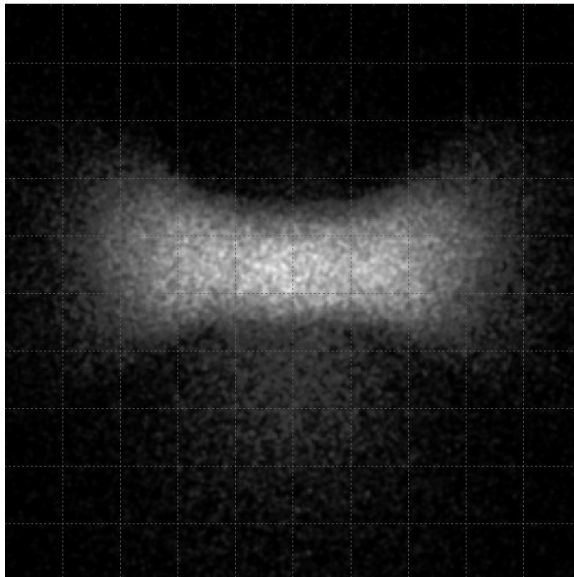
Polar Candela Distribution Plot



Rectangular Candela Distribution Plot



Projection wall 5x5 m at 1m

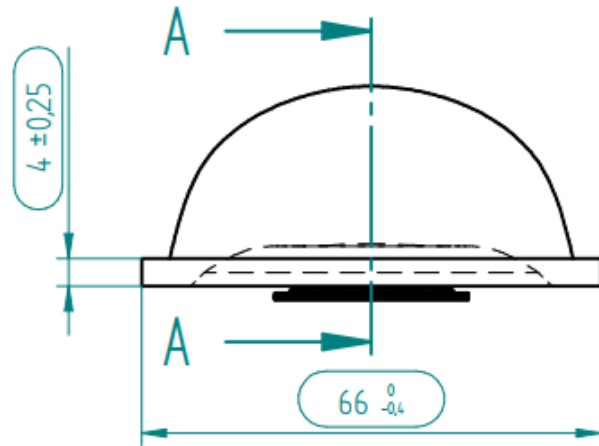


LED used for simulation	Cree CXA 2530
Luminous flux of LED [lm]	267
Efficiency [%]*	84
FWHM C0 [°]	20
FWHM C90 [°]	120

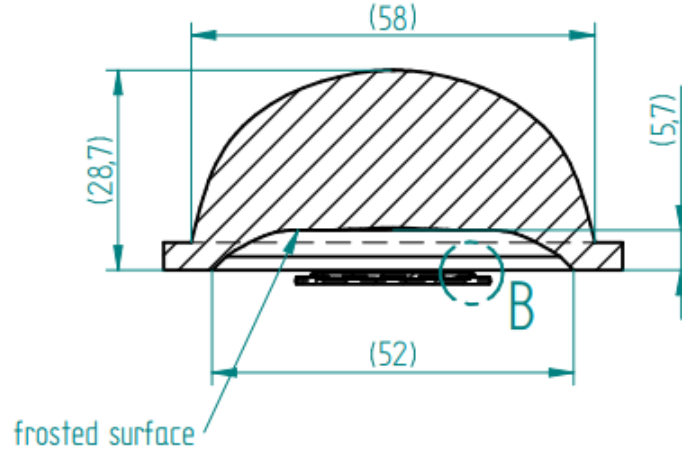
* The ratio between luminous flux on the projection wall (5x5 m at 1 m) and luminous flux of LED

[BACK TO LIST](#)

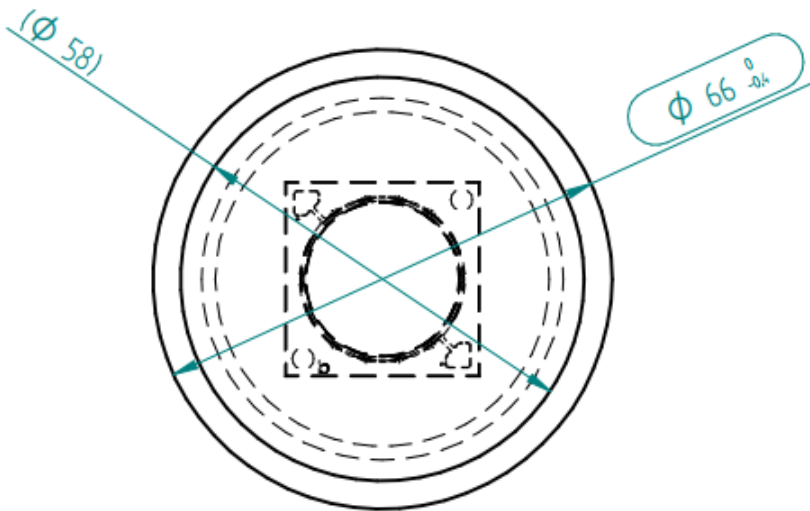
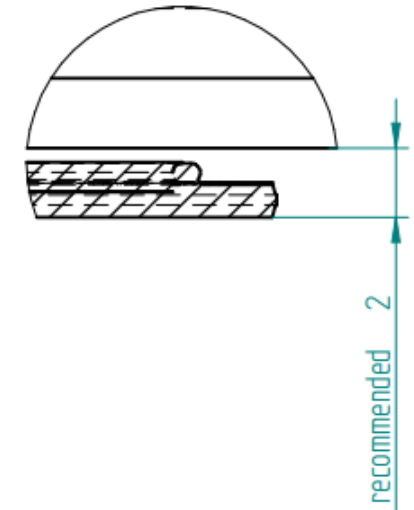
REVISION HISTORY			
REV	DESCRIPTION	DATE	APPROVED



CUT A-A



DETAIL B



material : GLASS $n_d=1,521$
 mass : 125g
 LED chip diameter : 16-30mm

	NAME	DATE
DRAWN	jkocarek	08/16/22
CHECKED		
ENG APPR		
MGR APPR		

 **EcoGlass, a.s.**

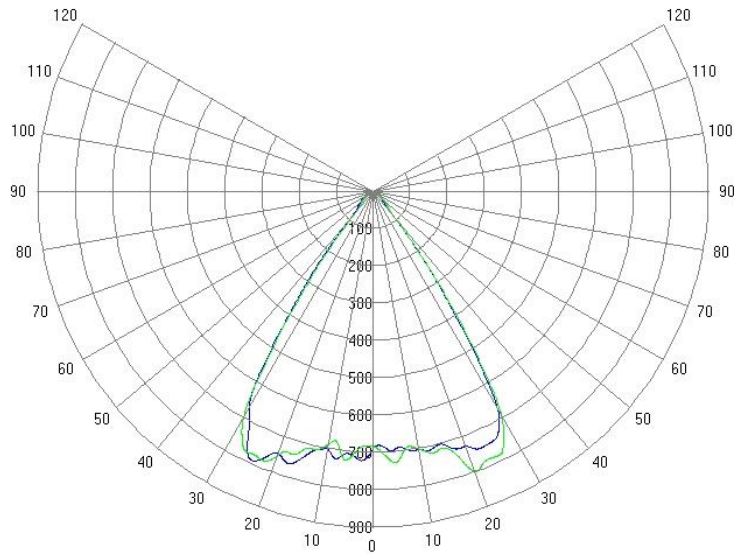
TITLE
 general lens for large LED 60°

UNLESS OTHERWISE SPECIFIED DIMENSIONS ARE IN MILLIMETERS ANGLES ±XX° 2 PL ±XXX 3 PL ±X.XXX			SIZE A4	DWG NO A886 6629	REV
FILE NAME: A886 6629.dft			SCALE:	WEIGHT:	

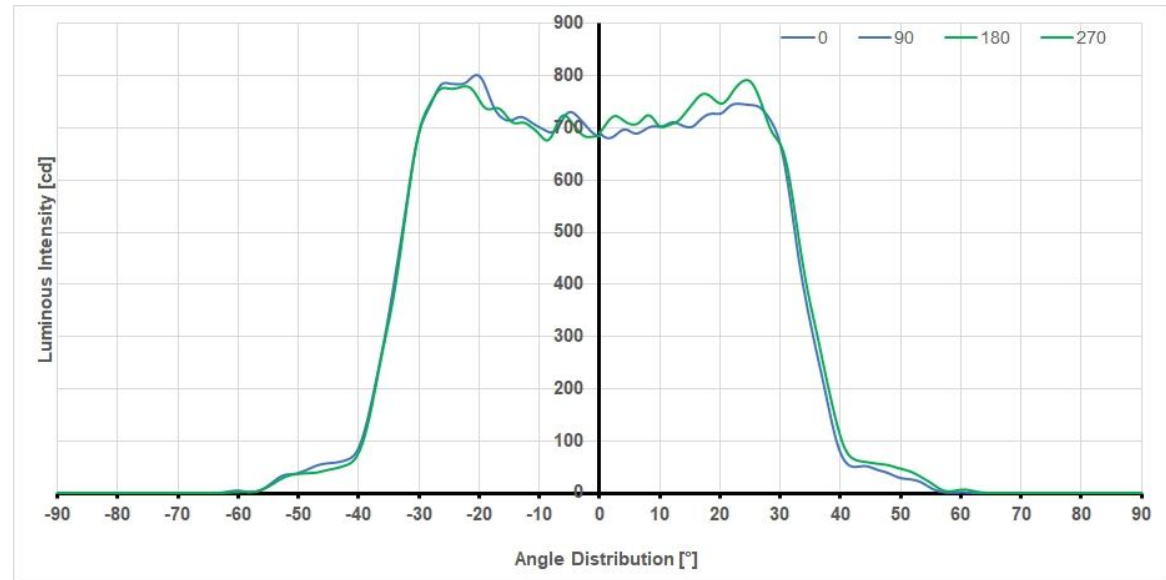
[BACK TO LIST](#)

A886 6629 – simulation results

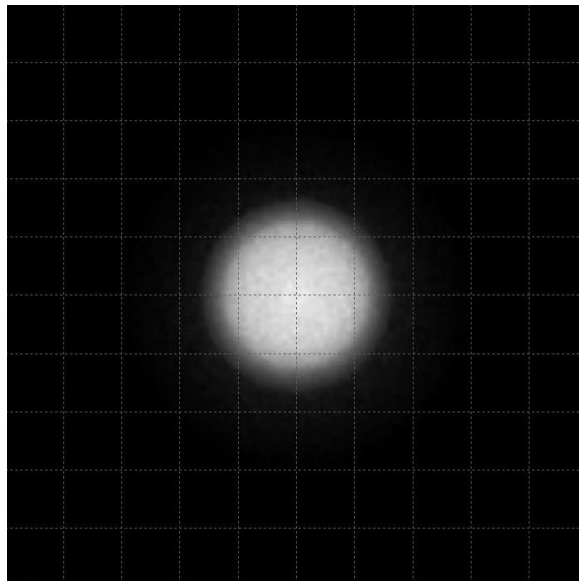
Polar Candela Distribution Plot



Rectangular Candela Distribution Plot



Projection wall 5x5 m at 1m



LED used for simulation	CXA2530
Luminous Flux of LED [lm]	3600
Efficiency [%]*	90
FWHM C0 [°]	60
FWHM C90 [°]	60

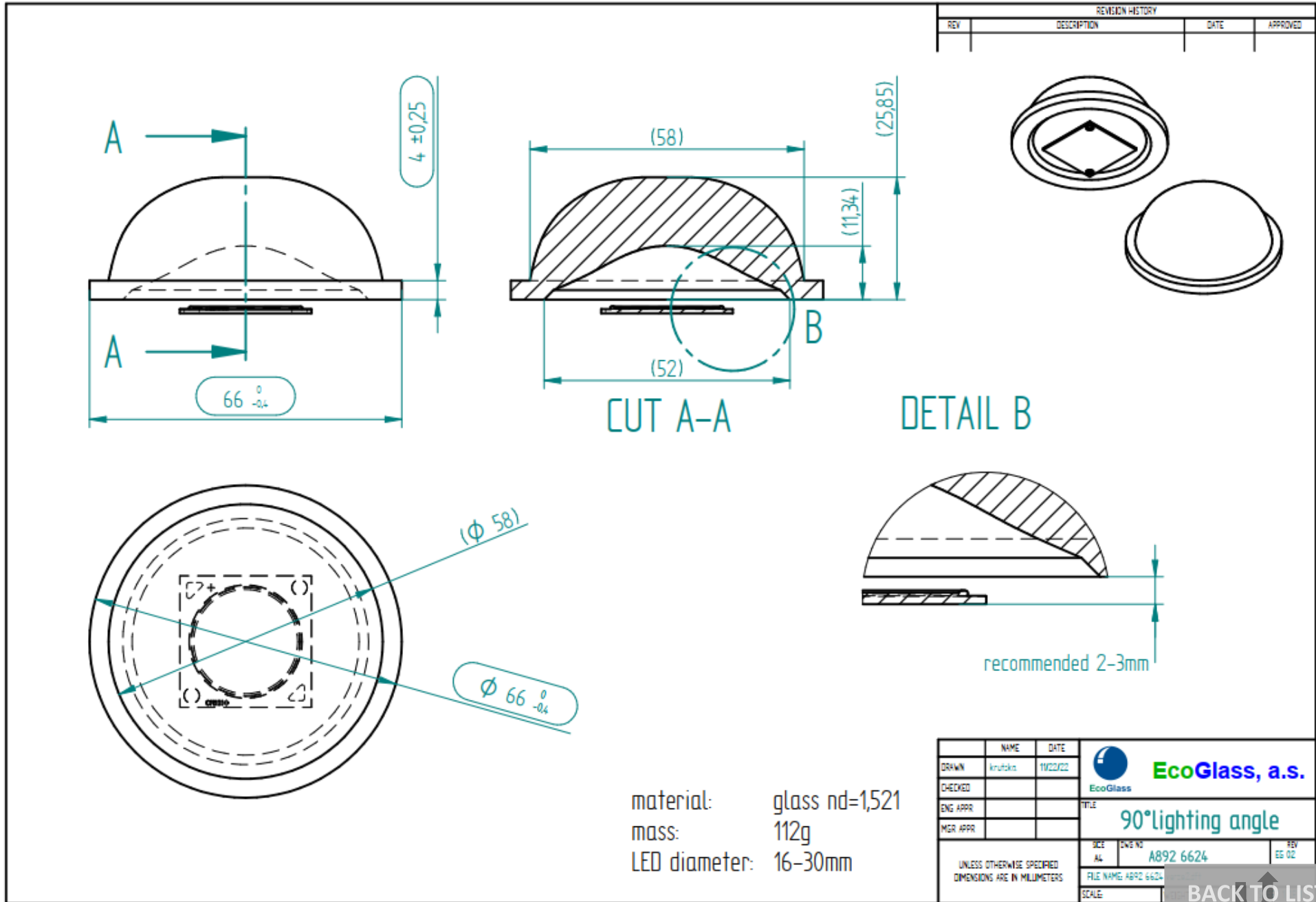
*The ratio between luminous flux on the projection wall (5x5m at 1m) and luminous flux of LED

[BACK TO LIST](#)



EcoGlass

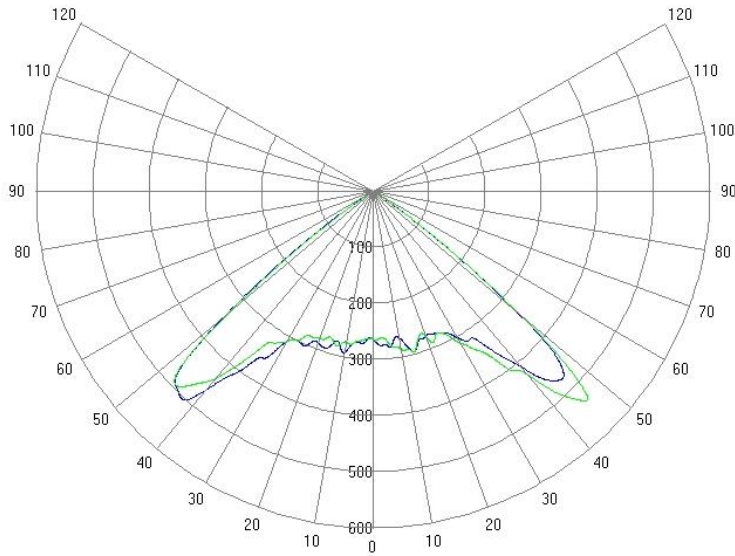
A892 6624



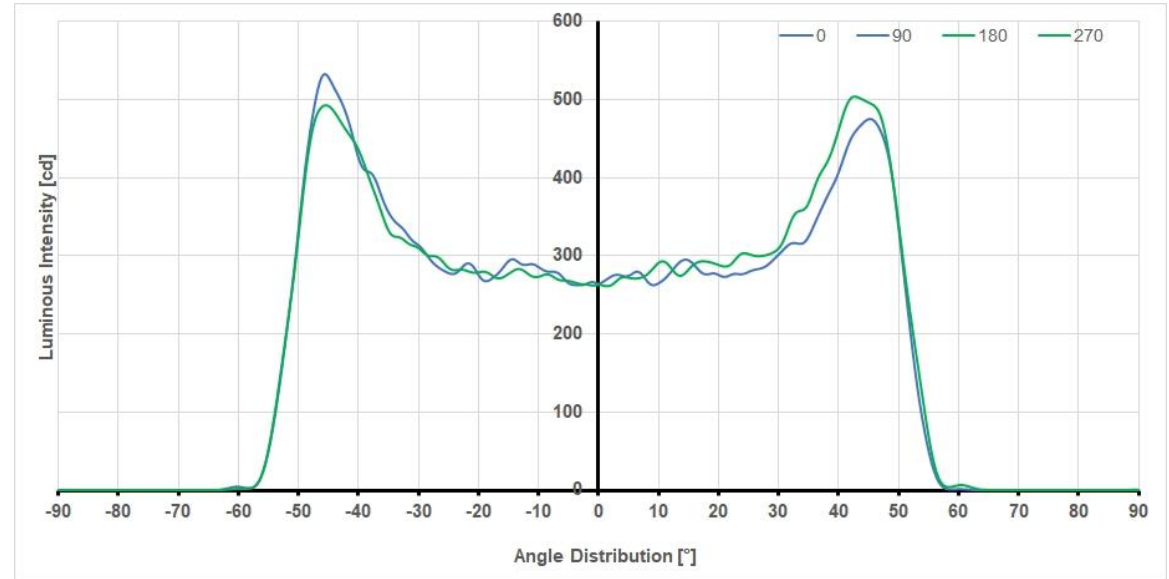
BACK TO LIST

A892 6624 – simulation results

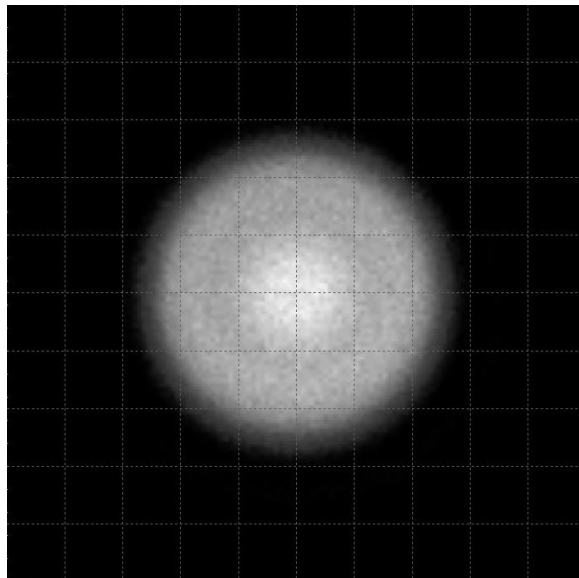
Polar Candela Distribution Plot



Rectangular Candela Distribution Plot



Projection wall 5x5 m at 1m

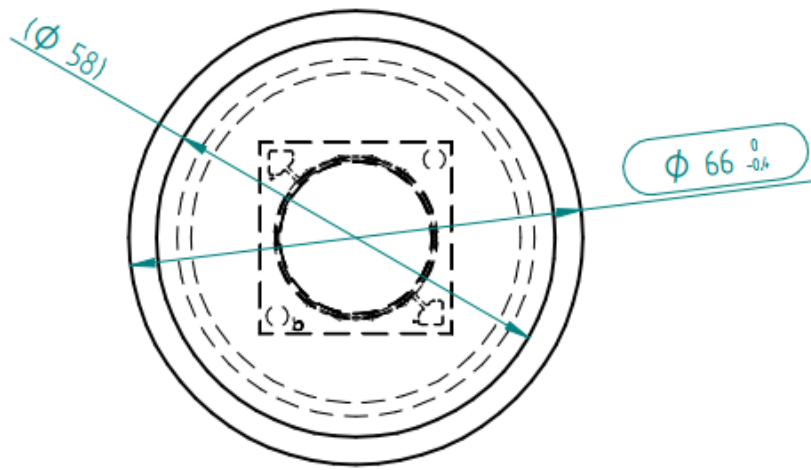
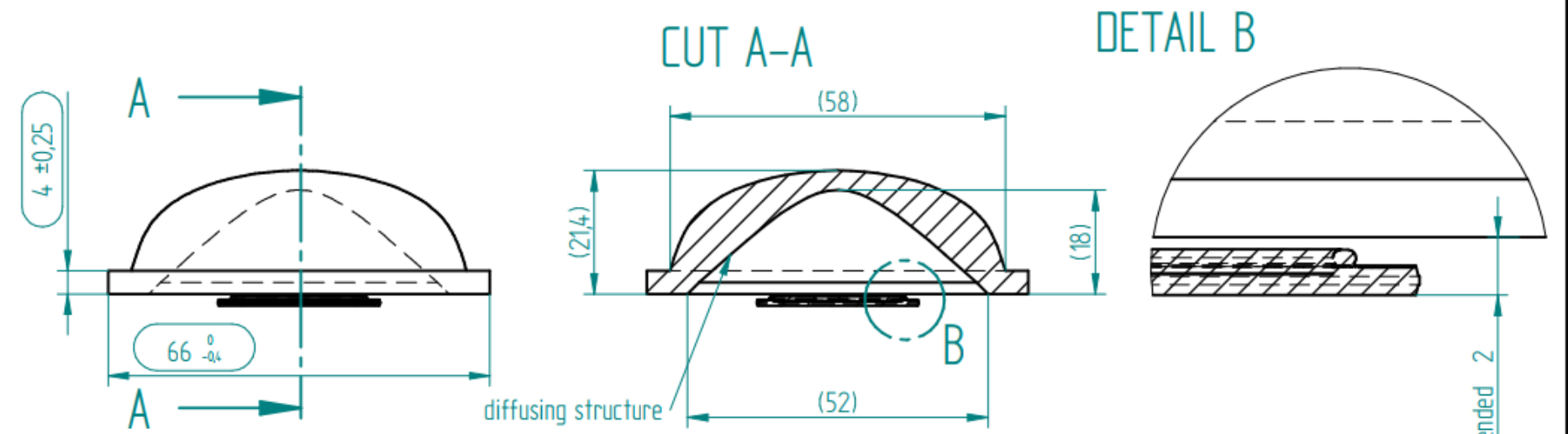


LED used for simulation	CXA2530
Luminous Flux of LED [lm]	3600
Efficiency [%]*	90
FWHM C0 [°]	90
FWHM C90 [°]	90


*The ratio between luminous flux on the projection wall (5x5m at 1m) and luminous flux of LED

[BACK TO LIST](#)

REVISION HISTORY			
REV	DESCRIPTION	DATE	APPROVED



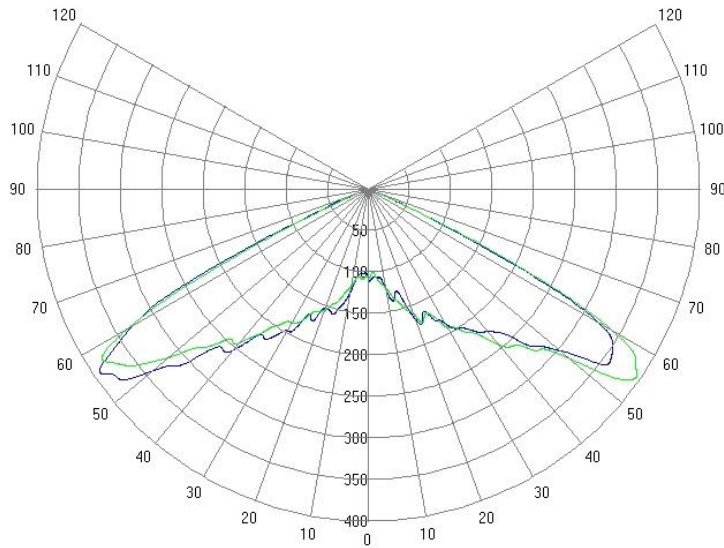
material: GLASS $n_d=1.521$
 mass: 75g
 LED diameter: 16-30mm

	NAME	DATE	 EcoGlass, a.s.		
DRAWN	jkocarek	08/16/22			
CHECKED					
ENG APPR					
MGR APPR			TITLE		
			Lens for large LED - 120° lighting angle		
UNLESS OTHERWISE SPECIFIED DIMENSIONS ARE IN MILLIMETERS ANGLES $\pm X.X^\circ$ 2 PL $\pm X.XX$ 3 PL $\pm X.XXX$			SIZE	DWG NO	REV
			A4	A893 6624	EG01
			FILE NAME: A893 6622.dft		
SCALE:		WEIGHT:			

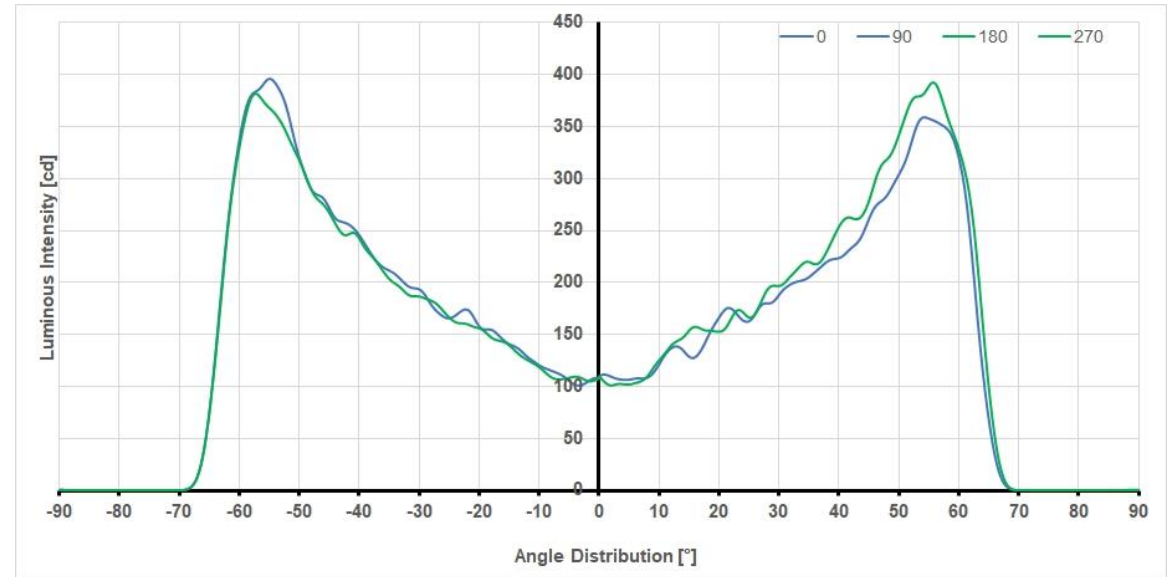
[BACK TO LIST](#)

A893 6624 – simulation results

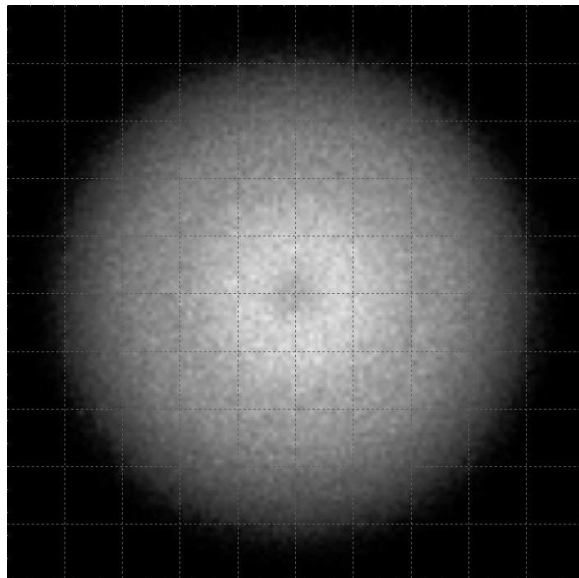
Polar Candela Distribution Plot



Rectangular Candela Distribution Plot



Projection wall 5x5 m at 1m



LED used for simulation	CXA2530
Luminous Flux of LED [lm]	3600
Efficiency [%]*	90
FWHM C0 [°]	120
FWHM C90 [°]	120

*The ratio between luminous flux on the projection wall (5x5m at 1m) and luminous flux of LED

[BACK TO LIST](#)